

MOTOR

MOTOR

2024



SEHUN



@OptimoMx
www.optimoautopartes.com





| | |
|-----------------------------|-----------------------|
| CV | |
| ASTRA 1.8L 2004-2009 | |
| CODIGO | AANC1400 |
| EQUIV 1: | F-33A59/GA-234/CA5970 |
| OEM: | 91155714/835622 |
| EQUIV 2: | |

FILTRO DE AIRE (ZAFIRA 1.8L 02-06)



| | |
|---------------------------------------|-----------------|
| CV | |
| ASTRA 2.0L/2.2L/2.4L 2000-2006 | |
| CODIGO | AANC1410 |
| EQUIV 1: | F-19A35/GA-334 |
| OEM: | 9194405 |
| EQUIV 2: | |

FILTRO DE AIRE (ZAFIRA 2.0L-2.2L-2.4L 02-06)



| | |
|----------------------------|-------------------------|
| CV | |
| AVEO 1.5L 2018-2023 | |
| CODIGO | AANC9910 |
| EQUIV 1: | F-90A79/GA-9079/CA12413 |
| OEM: | 90799322 |
| EQUIV 2: | |

FILTRO DE AIRE L2B



| | |
|----------------------------|-----------------------|
| CV | |
| AVEO 1.6L 2007-2017 | |
| CODIGO | AANC9900 |
| EQUIV 1: | F-99A02/GA-324/CA9902 |
| OEM: | 96536696 |
| EQUIV 2: | |

FILTRO DE AIRE (PT G3 06-09/WAVE/SZ SWIFT 1.5L 07-11)



| | |
|------------------------------------|-----------------|
| CV | |
| CAPTIVA 2.4L/3.0L 2008-2015 | |
| CODIGO | AANC7210 |
| EQUIV 1: | F-101A15/GA-290 |
| OEM: | 96815102 |
| EQUIV 2: | |

FILTRO DE AIRE



| | |
|----------------------------------|-----------------------|
| CV | |
| CHEVY 1.4L/1.6L 1994-2012 | |
| CODIGO | AANC0100 |
| EQUIV 1: | F-54A96/GA-134/CA5496 |
| OEM: | 90411732 |
| EQUIV 2: | |

FILTRO DE AIRE (C-2/C-3/CHEVY PICK-UP 99-04)



| | |
|-------------------------------------|-----------------------|
| CV | |
| COLORADO 3.5L/3.7L 2004-2007 | |
| CODIGO | AANC5200 |
| EQUIV 1: | F-24A08/GA-415/CA9778 |
| OEM: | 15123627/A1624C |
| EQUIV 2: | |

FILTRO DE AIRE (CANYON 2.8L-2.9L-3.7L/HUMMER H3 3.5L-3.7L 06-07)



| | |
|----------------------------------|------------------------|
| CV | |
| CORSA 1.4L/1.8L 2003-2008 | |
| CODIGO | AANC0200 |
| EQUIV 1: | F-56A26/GA-289/CA-9838 |
| OEM: | 89037218 |
| EQUIV 2: | |

FILTRO DE AIRE (TORNADO/MERIVA/CHARGER/300/CHALLENGER)



FILTRO DE AIRE



| | |
|-----------------------------------|-------------------------|
| CV | |
| CRUZE 1.4L TURBO 2016-2018 | |
| CODIGO | AANC1010 |
| EQUIV 1: | F-13A36/GA-6313/CA12112 |
| OEM: | 13367308 |
| EQUIV 2: | |

FILTRO DE AIRE



| | |
|-----------------------------|------------------------|
| CV | |
| CRUZE 1.8L 2010-2015 | |
| CODIGO | AANC1000 |
| EQUIV 1: | F-13A27/GA-350/CA10990 |
| OEM: | 13272717 |
| EQUIV 2: | |

FILTRO DE AIRE LUW/A18XER



| | |
|---|--------------------------|
| CV | |
| EQUINOX 2.4L/3.0L/3.6L 2010-2013 | |
| CODIGO | AANC3410 |
| EQUIV 1: | F-104A65/GA-3138/CA10465 |
| OEM: | 25899727 |
| EQUIV 2: | |

FILTRO DE AIRE (2.4L 10-15/3.0L 10-12/3.6L 13-15)



| | |
|---|-----------------------|
| CV | |
| EQUINOX 2.4L/3.4L/3.6L 2005-2009 | |
| CODIGO | AANC3400 |
| EQUIV 1: | F-94A92/GA-367/CA9482 |
| OEM: | 22676970 |
| EQUIV 2: | |

FILTRO DE AIRE (MALIBU 08-12/G6 05-10/TORRENT 06-09/XL-7 3.6L)



| | |
|--------------------------------|-----------------------|
| CV | |
| LUV 2.3L/2.2L 1999-2005 | |
| CODIGO | AANC2920 |
| EQUIV 1: | F-80A67/GA-198/CA7417 |
| OEM: | 97039002/17801-0W010 |
| EQUIV 2: | |

FILTRO DE AIRE (T100 3.0L-3.4L 93-98/IS RODEO 2.2L-3.2L 98-04)



| | |
|--------------------------------|-----------------------|
| CV | |
| MATIZ G1 1.0L 2003-2005 | |
| CODIGO | AANG0100 |
| EQUIV 1: | F-44A94/GA-314/CA8797 |
| OEM: | 96314494 |
| EQUIV 2: | |

FILTRO DE AIRE



| | |
|--------------------------------|-----------------|
| CV | |
| MATIZ G2 1.0L 2006-2015 | |
| CODIGO | AANG0110 |
| EQUIV 1: | F-14A85/GA-323 |
| OEM: | 96591485 |
| EQUIV 2: | |

FILTRO DE AIRE



| | |
|---------------------------------|-----------------|
| CV | |
| ONIX 1.0L/1.2L 2020-2024 | |
| CODIGO | AANC0500 |
| EQUIV 1: | CA12609 |
| OEM: | 26241944 |
| EQUIV 2: | |

FILTRO DE AIRE L4F/L4H (TRACKER 1.2L 21-22)



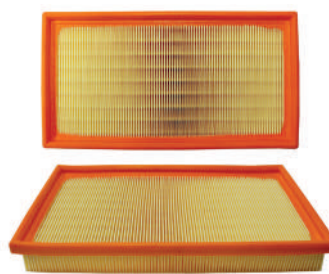


CV

OPTRA 2.0L 2006-2010

| | |
|----------|-----------------------|
| CODIGO | AANC1700 |
| EQUIV 1: | F-34A50/GA-328/CA3450 |
| OEM: | 96553450 |
| EQUIV 2: | |

FILTRO DE AIRE (FORENZA 2.0L 04-08)



CV

S-10/BLAZER 2.2L/4.3L 1995-2005

| | |
|----------|-----------------------|
| CODIGO | AANC1800 |
| EQUIV 1: | F-74A21/GA-165/CA3450 |
| OEM: | 25098463 |
| EQUIV 2: | |

FILTRO DE AIRE (SONOMA/ASTRO/FIREBIRD/HOMBRE/JIM-MY/S-10 PICK-UP)



CV

SONIC 1.6L 2012-2018

| | |
|----------|------------------------|
| CODIGO | AANC0900 |
| EQUIV 1: | F-96A90/GA-344/CA11222 |
| OEM: | 96950990 |
| EQUIV 2: | |

FILTRO DE AIRE LDE (SONIC TURBO 1.4L)



CV

SPARK 1.2L 2011-2017

| | |
|----------|-----------------|
| CODIGO | AANC0800 |
| EQUIV 1: | F-96A23/GA-330 |
| OEM: | 96827723 |
| EQUIV 2: | |

FILTRO DE AIRE SMARTECH II (BEAT 1.2L 18-21)



CV

SPARK NG 1.4L 2016-2021

| | |
|----------|------------------------|
| CODIGO | AANC0810 |
| EQUIV 1: | F-95A23/GA-310/CA12073 |
| OEM: | 95238310 |
| EQUIV 2: | |

FILTRO DE AIRE LV7 (NUEVA LINEA)



CV

SUBURBAN 5.3L/6.0L 2000-2017

| | |
|----------|-----------------------|
| CODIGO | AANC2510 |
| EQUIV 1: | F-87A55/GA-348/CA8755 |
| OEM: | 25312133 |
| EQUIV 2: | CHEYENNE 5.3L-5.7L |

FILTRO DE AIRE (SILVE 4.3L-4.8L-5.3L-6.0L/AVALAN 5.3L-6.0L-8.1L/TAHOE 4.8L-5.3L)



CV

TRAVERSE 3.6L V6 2009-2015

| | |
|----------|--------------------------|
| CODIGO | AANC7300 |
| EQUIV 1: | F-101A10/GA-3083/CA10110 |
| OEM: | 15278634 |
| EQUIV 2: | |

FILTRO DE AIRE (ACADIA 3.6L 07-15)



CV

TRAX 1.4L/1.8L 2013-2020

| | |
|----------|-------------------------|
| CODIGO | AANC0700 |
| EQUIV 1: | F-115A01/GA-355/CA11501 |
| OEM: | 19327628 |
| EQUIV 2: | |

FILTRO DE AIRE (ENCORE 1.4L 14-22)





CV

VENTURE 3.4L 1997-2005

| | |
|----------|-----------------------|
| CODIGO | AANC2300 |
| EQUIV 1: | F-75A97/GA-164/CA7597 |
| OEM: | 10354942 |
| EQUIV 2: | |

FILTRO DE AIRE (UPLANDER/MALIBU/S-10/MONTANA/CUT-LASS/AZTEK/SILHOUETTE)



DG

ATOS 1.0L 2000-2004

| | |
|----------|-----------------------|
| CODIGO | AANK0100 |
| EQUIV 1: | F-25A10/GA-281/CA9601 |
| OEM: | 28113-02510 |
| EQUIV 2: | |

FILTRO DE AIRE



DG

ATOS 1.1L 2005-2012

| | |
|----------|-----------------------|
| CODIGO | AANK0110 |
| EQUIV 1: | F-27A50/GA-302/CA2750 |
| OEM: | 28113-02750 |
| EQUIV 2: | |

FILTRO DE AIRE



DG

ATTITUDE 1.2L 2015-2024

| | |
|----------|----------------------|
| CODIGO | AANK1120 |
| EQUIV 1: | F-101A25/GA-1500 |
| OEM: | 1500A617/17801-BZ150 |
| EQUIV 2: | |

FILTRO DE AIRE (TY AVANZA 1.5L 16-22/MT MIRAGE G4 19-24/MIRAGE 1.2L 15-19)



DG

ATTITUDE 1.4L/1.6L 2006-2011

| | |
|----------|-------------------------|
| CODIGO | AANK1100 |
| EQUIV 1: | F-100A88/GA-363/CA10088 |
| OEM: | 28113-1G000 |
| EQUIV 2: | |

FILTRO DE AIRE



DG

ATTITUDE 1.6L 2012-2014

| | |
|----------|------------------------|
| CODIGO | AANK1110 |
| EQUIV 1: | F-28A00/GA-365/CA11206 |
| OEM: | 28113-1R100 |
| EQUIV 2: | |

FILTRO DE AIRE (KA RIO 1.6L 16-17/SOUL 1.6L-2.0L 16-19)



DG

CALIBER 2.0L/2.4L 2007-2010

| | |
|----------|------------------------|
| CODIGO | AANK4000 |
| EQUIV 1: | F-16A94/GA-489/CA10118 |
| OEM: | 04891694AA |
| EQUIV 2: | |

FILTRO DE AIRE (COMPASS-PATRIOT 2.0L-2.4L 07-10)



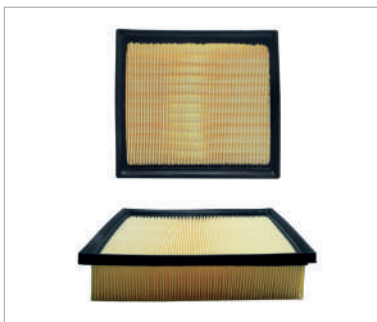
DG

CALIBER 2.0L/2.4L 2011-2012

| | |
|----------|-------------------------|
| CODIGO | AANK4010 |
| EQUIV 1: | F-10A45/GA-220R/CA11048 |
| OEM: | 4593914AB |
| EQUIV 2: | |

FILTRO DE AIRE (COMPASS-PATRIOT 2.0L-2.4L 11-17)





DG

DURANGO 3.6L/5.7L 2011-2020

| | |
|----------|---------------------------|
| CODIGO | AANK2310 |
| EQUIV 1: | F-107A55/GA-478 |
| OEM: | 4861756AA/17801-0P050 |
| EQUIV 2: | HIGHLANDER 2.7-3.5L 14-17 |

FILTRO DE AIRE (G.CHEROKEE 11-20/L200 2.4L 21-24/SIENNA 3.5L 11-20/CAMRY 3.5L)



DG

DURANGO 4.7L/5.9L 1998-2003

| | |
|----------|------------------------|
| CODIGO | AANK2300 |
| EQUIV 1: | F-39A01/GA-3901/CA3901 |
| OEM: | 53004383 |
| EQUIV 2: | |

FILTRO DE AIRE (DAKOTA 3.7L 05-12 4.7L 00-07/CHEROKEE 2.5L-4.0L 91-01)



DG

GRAND CARAVAN 3.6L 2011-2019

| | |
|----------|-------------------------|
| CODIGO | AANK0700 |
| EQUIV 1: | F-110A50/GA-247/CA11050 |
| OEM: | 4861737AA |
| EQUIV 2: | |

FILTRO DE AIRE (CARAVAN 3.6L/TOWN & COUNTRY 3.6L/VW ROUTAN 3.6L)



DG

I-10 1.1L 2011-2014

| | |
|----------|------------------------|
| CODIGO | AANK0800 |
| EQUIV 1: | F-31A28/GA-366/CA10630 |
| OEM: | 28113-0X000 |
| EQUIV 2: | |

FILTRO DE AIRE



DG

JOURNEY 2.4L/3.5L 2009-2020

| | |
|----------|---------------------------|
| CODIGO | AANK8100 |
| EQUIV 1: | F-90A54/GA-248/CA10516 |
| OEM: | 04861480AA |
| EQUIV 2: | CIRRUS 2.4L-3.5L/200 2.4L |

FILTRO DE AIRE (AVENGER/G.CARAVAN-CARAVAN/T&COUNTRY/VOYAGER/VW ROUTAN)



DG

JOURNEY 3.6L 2012-2020

| | |
|----------|-----------------|
| CODIGO | AANK8110 |
| EQUIV 1: | F-100A14/GA-246 |
| OEM: | 68081249AC |
| EQUIV 2: | |

FILTRO DE AIRE (DURANGO 3.6L/200 3.6L)



DG

NEON 2.0L 1995-2000

| | |
|----------|---------------------------|
| CODIGO | AANK0200 |
| EQUIV 1: | F-36A60/GA277/CA3660-3441 |
| OEM: | 4213583 |
| EQUIV 2: | SPIRIT 2.2L-2.5L-3.0L |

FILTRO DE AIRE (VOYAGER-CARAVAN-TOWN & COUNTRY 3.0L-3.3L-3.8L 96-00)



DG

NEON 2.0L/2.4L 2001-2006

| | |
|----------|-----------------------|
| CODIGO | AANK0210 |
| EQUIV 1: | F-88A05/GA-278/CA8805 |
| OEM: | 4891097AA |
| EQUIV 2: | |

FILTRO DE AIRE (NEON 2.5L 03-06)





DG

RAM 4000 5.7L 2002-2009

| | |
|----------|-----------------------|
| CODIGO | AANK0300 |
| EQUIV 1: | F-24A04/GA-490/CA9401 |
| OEM: | 53032404AA |
| EQUIV 2: | RAM 2500 5.7L-6.4L |

FILTRO DE AIRE (RAM 1500-3500 4.7L-5.7L 02-17/RAM 1500-2500 5.9L 02-09)



DG

STRATUS 2.0L/2.4L 1995-2006

| | |
|----------|-----------------------|
| CODIGO | AANK0400 |
| EQUIV 1: | F-74A32/GA-132/CA7432 |
| OEM: | 4882141AB |
| EQUIV 2: | |

FILTRO DE AIRE (CIRRUS 2.0L-2.4L/SEBRING 2.4L-2.5L)



FT

UNO 1.4L 2015-2020

| | |
|----------|-----------------|
| CODIGO | AANB0200 |
| EQUIV 1: | F-51A85/CA11104 |
| OEM: | 51854598 |
| EQUIV 2: | |

FILTRO DE AIRE (PROMASTER RAPID 1.4L 17-20)



FD

ECOSPORT 2.0L 2004-2012

| | |
|----------|------------------------|
| CODIGO | AANF1000 |
| EQUIV 1: | F-96A21/GA-288R/CA9833 |
| OEM: | 2N1U-9601CB |
| EQUIV 2: | |

FILTRO DE AIRE (ECONOLINE E150-E250-E350 5.4L)



FD

ESCAPE 2.0L/2.3L/2.5L/3.0L 2001-2012

| | |
|----------|-----------------------|
| CODIGO | AANF0500 |
| EQUIV 1: | F-89A97/GA-224/CA8997 |
| OEM: | YF1Z-9601AA |
| EQUIV 2: | |

FILTRO DE AIRE (MARINER 2.3L-3.0L 05-07/TAURUS 3.0L 00-07)



FD

ESCAPE 2.5L 2013-2019

| | |
|----------|-------------------------|
| CODIGO | AANF0510 |
| EQUIV 1: | F-114A56/GA-225/CA11456 |
| OEM: | CJ5Z-9601AA |
| EQUIV 2: | |

FILTRO DE AIRE (TRANSIT 2.5L 14-20)



FD

EXPLORER 4.0L/4.6L 2001-2010

| | |
|----------|-----------------------|
| CODIGO | AANF2510 |
| EQUIV 1: | F-93A32/GA-395/CA9332 |
| OEM: | 1L2Z-9601AA |
| EQUIV 2: | |

FILTRO DE AIRE (MOUNTAINER 4.0L-4.6L 02-10)



FD

F-150 4.2L/4.6L/5.4L/6.8L 1997-2008

| | |
|----------|--------------------------|
| CODIGO | AANF1800 |
| EQUIV 1: | F-80A04/GA-1615/CA8039 |
| OEM: | F50Z-9601BA |
| EQUIV 2: | EXCUR 00-06/ECONOL 04-10 |

FILTRO DE AIRE (F-350 97-08/E-350 97-12/LOBO 97-03/EXCURSION 97-02)





FD

FIESTA 1.6L 2013-2016

| | |
|----------|----------------------|
| CODIGO | AANF0210 |
| EQUIV 1: | F-78A40/CA9494 |
| OEM: | 1729854/2S61-9601C1A |

| | |
|----------|--|
| EQUIV 2: | |
|----------|--|



FILTRO DE AIRE



FD

FIESTA FIRST 1.6L 2003-2010

| | |
|----------|-----------------------|
| CODIGO | AANF0200 |
| EQUIV 1: | F-96A01/GA-284/CA9601 |
| OEM: | 2S61-9601CA |

| | |
|----------|--|
| EQUIV 2: | |
|----------|--|



FILTRO DE AIRE



FD

FIESTA IKON 1.3L/1.4L/1.6L 1998-2010

| | |
|----------|----------------------|
| CODIGO | AANF0300 |
| EQUIV 1: | F-580A/GA-179/CA8782 |
| OEM: | 2N1U-9601BD |

| | |
|----------|--|
| EQUIV 2: | |
|----------|--|



FILTRO DE AIRE (COURIER 1.6L 01-10)



FD

FIGO 1.5L 2016-2022

| | |
|----------|-----------------------|
| CODIGO | AANF0700 |
| EQUIV 1: | F-19A04/GA-430/CA1099 |
| OEM: | BE8Z/AE81-9601AA |

| | |
|----------|--|
| EQUIV 2: | |
|----------|--|



FILTRO DE AIRE (FIESTA 1.6L 11-19/FIESTA 1.6L TURBO 15-19)



FD

FOCUS 2.0L 2000-2006

| | |
|----------|-----------------------|
| CODIGO | AANF0100 |
| EQUIV 1: | F-16A88/GA-168/CA8969 |
| OEM: | YS4Z-9601CC |

| | |
|----------|--|
| EQUIV 2: | |
|----------|--|



FILTRO DE AIRE (FOCUS 2.3L 03-04)



FD

FOCUS 2.0L 2012-2018

| | |
|----------|-----------------|
| CODIGO | AANF0110 |
| EQUIV 1: | F-62A04/GA-226R |
| OEM: | 7M51-9601AC |

| | |
|----------|--|
| EQUIV 2: | |
|----------|--|



FILTRO DE AIRE (FOCUS 2.3L RS TURBO 16-17/ESCAPE 2.0L TURBO 13-17)



FD

FOCUS 2.5L 2007-2011

| | |
|----------|-----------------|
| CODIGO | AANF0120 |
| EQUIV 1: | F-71A55/CA10253 |
| OEM: | 6M5Y-9601AA |

| | |
|----------|--|
| EQUIV 2: | |
|----------|--|



FILTRO DE AIRE (VOLVO C30 2.5L 08-13)



FD

FUSION 2.0L/2.5L 2013-2020

| | |
|----------|--------------------------|
| CODIGO | AANF4600 |
| EQUIV 1: | F-114A80/GA-1573/CA11480 |
| OEM: | DS7Z-9601A |

| | |
|----------|--|
| EQUIV 2: | |
|----------|--|



FILTRO DE AIRE (EDGE 2.0L-2.7L-3.5L 15-22)



FILTRO DE AIRE C/ESPONJA

| | |
|--------------------------|-----------------------|
| FD | |
| KA 1.6L 2001-2008 | |
| CODIGO | AANF1500 |
| EQUIV 1: | F-87A36/GA-280/CA8736 |
| OEM: | XS5X-9601DA |
| EQUIV 2: | |



FILTRO DE AIRE (GASOLINA/DIESEL)

| | |
|--|--------------------------|
| FD | |
| RANGER 2.2L/2.5L/3.2L 2013-2022 | |
| CODIGO | AANF0420 |
| EQUIV 1: | F-35A96/GA-3596R/CA11674 |
| OEM: | AB39-9001AB |
| EQUIV 2: | |



FILTRO DE AIRE (RANGER 88-94/AEROSTAR 90-97)

| | |
|--------------------------------|-----------------------|
| FD | |
| WINDSTAR 3.0L 1995-2003 | |
| CODIGO | AANF1400 |
| EQUIV 1: | F-50A58/GA-273/CA5058 |
| OEM: | E6AZ-9601B |
| EQUIV 2: | |



FILTRO DE AIRE (RANGER 95-98/EXPLORER 4.0L 95-96/MZ B2300 95-97)

| | |
|--------------------------------|------------------------|
| FD | |
| WINDSTAR 3.8L 1995-2003 | |
| CODIGO | AANF1410 |
| EQUIV 1: | F-77A74/GA-1616/CA7774 |
| OEM: | F57Z-9601A |
| EQUIV 2: | GA-1616 |



FILTRO DE AIRE (ACURA TSX 04-09)

| | |
|------------------------------|-----------------------|
| HD | |
| ACCORD 2.4L 2003-2007 | |
| CODIGO | AANH0100 |
| EQUIV 1: | F-95A64/GA-138/CA9564 |
| OEM: | 17220-RAA-A00 |
| EQUIV 2: | |



FILTRO DE AIRE (CROSSTOUR 3.5L 10-14)

| | |
|------------------------------|-------------------------|
| HD | |
| ACCORD 2.4L 2008-2012 | |
| CODIGO | AANH0110 |
| EQUIV 1: | F-104A67/GA-193/CA10467 |
| OEM: | 17220-R40-A00 |
| EQUIV 2: | |



FILTRO DE AIRE

| | |
|----------------------------------|-----------------------|
| HD | |
| CIVIC 1.7L/2.0L 2001-2005 | |
| CODIGO | AANH0200 |
| EQUIV 1: | F-89A11/GA-194/CA8911 |
| OEM: | 17220-PLC-000 |
| EQUIV 2: | |



FILTRO DE AIRE

| | |
|-----------------------------|-----------------|
| HD | |
| CIVIC 1.8L 2006-2012 | |
| CODIGO | AANH0210 |
| EQUIV 1: | F-17A22/GA-340 |
| OEM: | 17220-RNA-A00 |
| EQUIV 2: | |





HD

CIVIC 2.0L 2006-2011

| | |
|----------|------------------|
| CODIGO | AANH0220 |
| EQUIV 1: | F-103A59/CA10359 |
| OEM: | 17220-RRA-A00 |
| EQUIV 2: | |

FILTRO DE AIRE (ELEMENT 2.4L 09-17/ACURA CSX 2.0L 06-11)



HD

CIVIC 2.4L 2012-2015

| | |
|----------|------------------|
| CODIGO | AANH0230 |
| EQUIV 1: | F-111A21/CA11121 |
| OEM: | 17220-RX0-A00 |
| EQUIV 2: | |

FILTRO DE AIRE (ACURA ILX 2.4L 12-16)



HD

CR-V 2.4L 2007-2009

| | |
|----------|-------------------------|
| CODIGO | AANH0300 |
| EQUIV 1: | F-103A44/GA-341/CA10344 |
| OEM: | 17220-RZA-000 |
| EQUIV 2: | |

FILTRO DE AIRE



HD

CR-V 2.4L 2010-2011

| | |
|----------|------------------------|
| CODIGO | AANH0310 |
| EQUIV 1: | F-17A00/GA-321/CA10885 |
| OEM: | 17220-REZ-A00 |
| EQUIV 2: | |

FILTRO DE AIRE



HD

CR-V 2.4L 2012-2016

| | |
|----------|-------------------------|
| CODIGO | AANH0320 |
| EQUIV 1: | F-112A58/GA-722/CA11258 |
| OEM: | 17220-R5A-A00 |
| EQUIV 2: | |

FILTRO DE AIRE



HD

FIT 1.5L 2006-2008

| | |
|----------|------------------------|
| CODIGO | AANH0400 |
| EQUIV 1: | F-20A10/GA-182/CA10233 |
| OEM: | 17220-PWA-Y10 |
| EQUIV 2: | |

FILTRO DE AIRE



HD

FIT 1.5L 2009-2014

| | |
|----------|-------------------------|
| CODIGO | AANH0410 |
| EQUIV 1: | F-106A50/GA-347/CA10650 |
| OEM: | 17220-RB6-Z00 |
| EQUIV 2: | |

FILTRO DE AIRE (CITY 1.5L 10-13)



HD

ODYSSEY 3.5L 2005-2010

| | |
|----------|-------------------------|
| CODIGO | AANH1100 |
| EQUIV 1: | F-100A13/GA-383/CA10013 |
| OEM: | 17220-P8F-A10 |
| EQUIV 2: | |

FILTRO DE AIRE (PILOT 09-15/ACURA 3.5L-3.7L 07-15)





| | |
|-------------------------------|-------------------------|
| HD | |
| ODYSSEY 3.5L 2011-2017 | |
| CODIGO | AANH1110 |
| EQUIV 1: | F-110A42/GA-223/CA11042 |
| OEM: | 17220-RV0-A00 |
| EQUIV 2: | |

FILTRO DE AIRE



| | |
|----------------------------------|-----------------|
| HY | |
| GRAND I-10 1.2L 2015-2023 | |
| CODIGO | AAND0300 |
| EQUIV 1: | F-11A34/GA-368 |
| OEM: | 28113-B4000 |
| EQUIV 2: | |

FILTRO DE AIRE



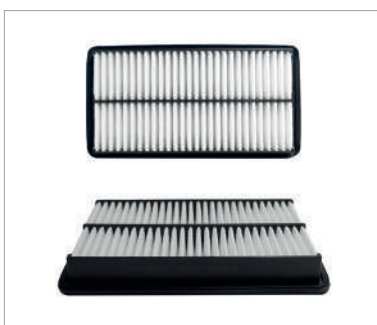
| | |
|-----------------------------------|------------------------|
| IS | |
| ELF-200/300 3.0L 2010-2024 | |
| CODIGO | AANI0300 |
| EQUIV 1: | F-82A63/CA9856/GA-633R |
| OEM: | 8-97062294-0 |
| EQUIV 2: | |

FILTRO DE AIRE (ELF-400-500-600 5.2L 10-24/ELF-450 5.2L 07-09)



| | |
|---------------------------|-------------------------|
| KA | |
| RIO 1.6L 2018-2023 | |
| CODIGO | AANA0100 |
| EQUIV 1: | F-91A00/GA-1618/CA12296 |
| OEM: | 28113-H9100 |
| EQUIV 2: | |

FILTRO DE AIRE (ACCENT 1.6L 18-22) (SEDAN/H-BACK)



| | |
|---------------------------------|-----------------------|
| MZ | |
| CX-7 2.3L/2.5L 2007-2012 | |
| CODIGO | AANZ0400 |
| EQUIV 1: | F-96A69/GA-597/CA9669 |
| OEM: | AJ57-13-Z40 |
| EQUIV 2: | |

FILTRO DE AIRE (MZ 6 2.3L-3.0L 03-08)



| | |
|----------------------------|--------------------------|
| MZ | |
| MZ 2 1.5L 2016-2023 | |
| CODIGO | AANZ0510 |
| EQUIV 1: | F-104A08/GA-1084/CA11859 |
| OEM: | P501-133A0/17801-WB001 |
| EQUIV 2: | |

FILTRO DE AIRE ZY05 (TY YARIS R 1.5L 16-20)



| | |
|-----------------------------------|-----------------------|
| MZ | |
| MZ 2 1.5L H-BACK 2012-2015 | |
| CODIGO | AANZ0500 |
| EQUIV 1: | F-98A94/GA-594/CA9894 |
| OEM: | ZJ01-13Z40 |
| EQUIV 2: | |

FILTRO DE AIRE ZY05



| | |
|--------------------------------------|-----------------------|
| MZ | |
| MZ 3 2.0L/2.3L/2.5L 2004-2013 | |
| CODIGO | AANZ0100 |
| EQUIV 1: | F-98A98/GA-596/CA9898 |
| OEM: | LF50-13-Z40A |
| EQUIV 2: | |

FILTRO DE AIRE (MZ 5 2.3L-2.5L 06-15/MZ 6 3.7L 06-10)





MZ

MZ 3 2.0L/2.5L 2014-2018

| | |
|----------|------------------------|
| CODIGO | AANZ0110 |
| EQUIV 1: | F-49A24/GA-924/CA11259 |
| OEM: | PE07-13-3A0A |

| | |
|----------|--|
| EQUIV 2: | |
|----------|--|



FILTRO DE AIRE (CX-5 2.0L-2.5L 13-17/MZ 6 2.5L 14-18)



MT

L200 2.4L/2.5L 2008-2020

| | |
|----------|------------------------|
| CODIGO | AANS1300 |
| EQUIV 1: | F-15A00/GA-603/CA10355 |
| OEM: | 1500A098 |

| | |
|----------|--|
| EQUIV 2: | |
|----------|--|



FILTRO DE AIRE 4G64/4D56T (MONTERO SPORT 3.0L 18-23)



MT

OUTLANDER 2.4L/3.0L 2003-2020

| | |
|----------|-----------------------|
| CODIGO | AANS0600 |
| EQUIV 1: | F-82A08/GA-607/CA8208 |
| OEM: | MR188657 |

| | |
|----------|--|
| EQUIV 2: | |
|----------|--|



FILTRO DE AIRE (LANCER 2.0L-2.4L 03-07/MIRAGE 1.5L-1.8L 97-02)



NS

ALTIMA 2.5L 2013-2018

| | |
|----------|-----------------|
| CODIGO | AANN3230 |
| EQUIV 1: | F-54A63/GA-1531 |
| OEM: | 16546-3TA0A |

| | |
|----------|--|
| EQUIV 2: | |
|----------|--|



FILTRO DE AIRE



NS

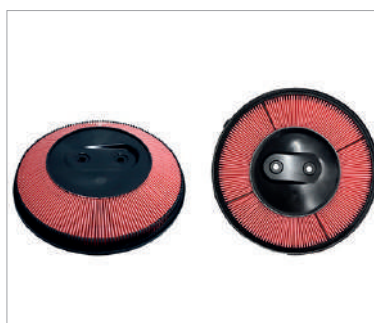
CABSTAR 2.5L 2008-2018

| | |
|----------|-------------------------|
| CODIGO | AANN3500 |
| EQUIV 1: | F-16A54/GAD-46R/CA10241 |
| OEM: | 16546-MA70C |

| | |
|----------|--|
| EQUIV 2: | |
|----------|--|



FILTRO DE AIRE YD25DDTI



NS

D-21 2/4WD 2.4L 1994-2007

| | |
|----------|------------------------|
| CODIGO | AANN0200 |
| EQUIV 1: | F-68A50/GAD-294/CA6850 |
| OEM: | 16546-G0350 |

| | |
|----------|--|
| EQUIV 2: | |
|----------|--|



FILTRO DE AIRE (PLATILLO) (NP-300 2.4L 08-15/FRONTIER-X-TERRA 2.4L)



NS

FRONTIER 4.0L V6 2005-2019

| | |
|----------|------------------------|
| CODIGO | AANN2700 |
| EQUIV 1: | F-74A40/GA-300/CA7440 |
| OEM: | 16546-7S000/53007386AB |

| | |
|----------|------------------------|
| EQUIV 2: | ARMADA-PATHF 4.0L-5.6L |
|----------|------------------------|



FILTRO DE AIRE (X-TERRA 4.0L/NV2500 14-15/TITAN 5.6L 04-15/G.CHEROKEE 93-04)



NS

ICHIVAN 1.8L/2.4L 1988-1994

| | |
|----------|-----------------------|
| CODIGO | AANN5500 |
| EQUIV 1: | F-32A45/GAD-15/CA6379 |
| OEM: | 16546-04N00 |

| | |
|----------|--|
| EQUIV 2: | |
|----------|--|



FILTRO DE AIRE (URVAN 2.4L 00-01)

FILTRO DE AIRE



NS

NP-300 (D-22) 4WD 2.5L 2008-2015

| | |
|----------|-----------------|
| CODIGO | AANN0700 |
| EQUIV 1: | F-10A01/GAD-36 |
| OEM: | 16546-9S001 |

| | |
|----------|--|
| EQUIV 2: | |
|----------|--|

FILTRO DE AIRE DIESEL YD25DDTI



NS

NP-300 FRONTIER (D-23) 2016-2024

| | |
|----------|-------------------------|
| CODIGO | AANN0710 |
| EQUIV 1: | F-21A00/GAD-295/CA12180 |
| OEM: | 16546-4JM1A |

| | |
|----------|--|
| EQUIV 2: | |
|----------|--|

FILTRO DE AIRE QR25/YD25 2.5L (SENCILLA/DOBLE CABINA)



NS

PLATINA 1.6L 2002-2010

| | |
|----------|-----------------------|
| CODIGO | AANN0300 |
| EQUIV 1: | F-57A24/GA-291/CA9610 |
| OEM: | 16546-00QAA |

| | |
|----------|-------------|
| EQUIV 2: | SCENIC 2.0L |
|----------|-------------|

FILTRO DE AIRE C/ESPONJA (APRIO/CLIO/KANGOO/SANDERO-STEPWAY/DUSTER/LOGAN/SCALA)



NS

SENTRA B-16 2.0L/2.5L 2007-2012

| | |
|----------|-------------------------|
| CODIGO | AANN1400 |
| EQUIV 1: | F-46A00/GA-1529/CA10346 |
| OEM: | 16546-ET000 |

| | |
|----------|--|
| EQUIV 2: | |
|----------|--|

FILTRO DE AIRE MR20DE/QRD25DE



NS

SENTRA B-18 2.0L 2021-2024

| | |
|----------|-----------------|
| CODIGO | AANN1600 |
| EQUIV 1: | F-99575/GA-2488 |
| OEM: | 16546-6LA0A |

| | |
|----------|--|
| EQUIV 2: | |
|----------|--|

FILTRO DE AIRE MR20DD



NS

TIIDA 1.6L/1.8L 2006-2017

| | |
|----------|-------------------------|
| CODIGO | AANN1100 |
| EQUIV 1: | F-60A00/GAD-116/CA10234 |
| OEM: | 16546-ED500 |

| | |
|----------|--|
| EQUIV 2: | |
|----------|--|

FILTRO DE AIRE MR18DE (CUBE 1.8L 09-14)



NS

TS-II/TS-I 1.6L/1.5L 1984-1991

| | |
|----------|-----------------|
| CODIGO | AANN0500 |
| EQUIV 1: | F-353A/GAD-3 |
| OEM: | 16546-18000/94 |

| | |
|----------|--|
| EQUIV 2: | |
|----------|--|

FILTRO DE AIRE (PICK-UP 1.6L-1.8L 79-92/NS SEDAN 1.6L-1.8L 79-84)



NS

TS-III 1.6L 1992-1996

| | |
|----------|---------------------------|
| CODIGO | AANN0110 |
| EQUIV 1: | F-43A09/GAD-15/CA4309-637 |
| OEM: | 16546-V0192 |

| | |
|----------|--------------------------|
| EQUIV 2: | PATHF/MAXIMA/QUEST/X-TER |
|----------|--------------------------|

FILTRO DE AIRE LARGO (B-14/B-15/X-TRAIL/MURANO/TSUBAME/ALTIMA/FRONTIER/LUCINO)





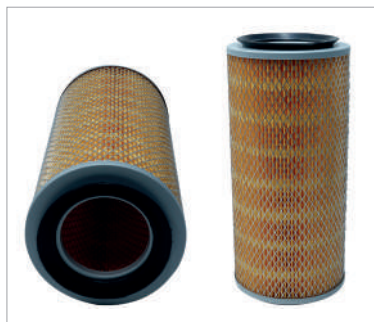
NS

TS-III 1.6L 1997-2017

| | |
|----------|--------------------------|
| CODIGO | AANN0120 |
| EQUIV 1: | F-41A00/GA-16-117/CA6900 |
| OEM: | 16546-73C10 |

| | |
|----------|--|
| EQUIV 2: | |
|----------|--|

FILTRO DE AIRE CORTO (SENTRA B-16 B-17/X-TRAIL/ROGUE/JUKE/LUCINO/RN KOLEOS)



NS

URVAN 2.4L 2002-2006

| | |
|----------|-----------------------|
| CODIGO | AANN0400 |
| EQUIV 1: | F-46A60/GAD-34/CA9888 |
| OEM: | 16546-F40XJ/02N00 |

| | |
|----------|--|
| EQUIV 2: | |
|----------|--|

FILTRO DE AIRE KA24DE



NS

URVAN 2.5L 2007-2012

| | |
|----------|-----------------------|
| CODIGO | AANN0410 |
| EQUIV 1: | F-2KA53/GAK-16/CAK253 |
| OEM: | 16546-02N01 |

| | |
|----------|--|
| EQUIV 2: | |
|----------|--|

FILTRO DE AIRE QR25DE (NV-350 QR25DE-YD25DDTI/URVAN 3.0L ZD30DDTI)



NS

VERSA 1.6L 2012-2019

| | |
|----------|------------------------|
| CODIGO | AANN0900 |
| EQUIV 1: | F-16AK0/GA-306/CA11215 |
| OEM: | 16546-1HK0J/1HK0A |

| | |
|----------|--|
| EQUIV 2: | |
|----------|--|

FILTRO DE AIRE HR16DE (V-DRIVE/MARCH 11-24/NOTE 14-19/MICRA 1.6L 2015)



NS

VERSA 1.6L 2020-2024

| | |
|----------|--------------------------|
| CODIGO | AANN0910 |
| EQUIV 1: | F-54A65/GAD-6554/CA12315 |
| OEM: | 16546-5RB1A |

| | |
|----------|--|
| EQUIV 2: | |
|----------|--|

FILTRO DE AIRE HR16DE (KICKS 17-24)



NS

X-TRAIL 2.5L 2015-2022

| | |
|----------|-------------------------|
| CODIGO | AANN2200 |
| EQUIV 1: | F-65A46/GAD-546/CA11858 |
| OEM: | 16546-4BA1A |

| | |
|----------|--|
| EQUIV 2: | |
|----------|--|

FILTRO DE AIRE



PG

PARTNER 1.6L DIESEL 2007-2024

| | |
|----------|---------------------|
| CODIGO | AANP0210 |
| EQUIV 1: | F-44ATV/CA11072 |
| OEM: | 1444-TV/96854-68780 |

| | |
|----------|--|
| EQUIV 2: | |
|----------|--|

FILTRO DE AIRE (PG-208 14-20/PG-2008 03-13/PG-301 13-22/PG-307 03-15)



PG

PARTNER 1.6L GAS 2007-2024

| | |
|----------|------------------|
| CODIGO | AANP0200 |
| EQUIV 1: | F-44ACP/CA10963 |
| OEM: | PG44-ACP/1444-TJ |

| | |
|----------|--|
| EQUIV 2: | |
|----------|--|

FILTRO DE AIRE (PG-301 13-21/PG-3008 14-17/GRAND RAID 07-12)





PG

PG-206 1.4L/1.6L 1999-2009

| | |
|----------|------------------------|
| CODIGO | AANP0100 |
| EQUIV 1: | F-14A06/GA-2159/CA8674 |
| OEM: | 1444-H3 |

| | |
|----------|--|
| EQUIV 2: | |
|----------|--|



FILTRO DE AIRE C/ESPONJA (PG-206 CC 06-09)



PG

PG-308 1.6L 2015-2016

| | |
|----------|-------------------------|
| CODIGO | AANP0600 |
| EQUIV 1: | F-13A71/GA-2217/CA10694 |
| OEM: | 1444-VH |

| | |
|----------|--|
| EQUIV 2: | |
|----------|--|



FILTRO DE AIRE (PG-207 08-12/PG-208 1.6L 14-17/MINI-COOPER 1.6L 07-16)



RT

MEGANE 2.0L 2005-2010

| | |
|----------|----------------------|
| CODIGO | AANR0300 |
| EQUIV 1: | F-17A81/GA-292/C2512 |
| OEM: | 82002-61781 |

| | |
|----------|--|
| EQUIV 2: | |
|----------|--|



FILTRO DE AIRE (FLUENCE 2.0L 11-17)



ST

IBIZA 1.6L/2.0L 2003-2017

| | |
|----------|-------------------------|
| CODIGO | AANE0100 |
| EQUIV 1: | F-6QA01/GAVW-624/CA9956 |
| OEM: | 6Q0-129-620/B |

| | |
|----------|--|
| EQUIV 2: | |
|----------|--|



FILTRO DE AIRE (POLO 2.0L 03-07/CORDOBA 2.0L 03-09)



SZ

SWIFT 1.0L 2018-2024

| | |
|----------|-----------------|
| CODIGO | AANY0310 |
| EQUIV 1: | F-78A05/GA-2374 |
| OEM: | 13780-52R40 |

| | |
|----------|--|
| EQUIV 2: | |
|----------|--|



FILTRO DE AIRE K10C



SZ

SWIFT 1.2L 2018-2024

| | |
|----------|-----------------|
| CODIGO | AANY0320 |
| EQUIV 1: | F-80A81/GA-2379 |
| OEM: | 13780-81PA0 |

| | |
|----------|--|
| EQUIV 2: | |
|----------|--|



FILTRO DE AIRE K12B (SZ IGNIS 1.2L 17-24)



SZ

SWIFT 1.4L SPORT 2018-2024

| | |
|----------|-----------------|
| CODIGO | AANY0330 |
| EQUIV 1: | F-78A06 |
| OEM: | 13780-67R00 |

| | |
|----------|--|
| EQUIV 2: | |
|----------|--|



FILTRO DE AIRE K14B



SZ

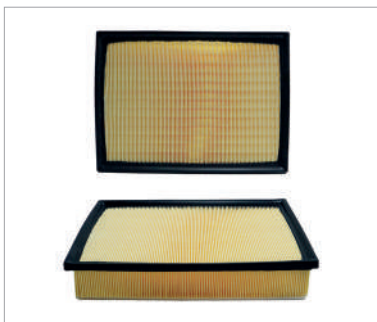
SWIFT 1.4L/1.6L 2012-2017

| | |
|----------|-----------------------|
| CODIGO | AANY0300 |
| EQUIV 1: | F-78A07/GA-137/CA9487 |
| OEM: | 13780-69L00 |

| | |
|----------|--|
| EQUIV 2: | |
|----------|--|



FILTRO DE AIRE (SZ CIAZ 1.4L 16-22)



TY

4RUNNER 4.0L 2010-2017

| | |
|----------|------------------|
| CODIGO | AANT0510 |
| EQUIV 1: | F-108A35/CA10835 |
| OEM: | 17801-38050 |
| EQUIV 2: | |

FILTRO DE AIRE (FJ CRUISER 4.0L 08-14)



TY

4RUNNER 4.7L 2003-2009

| | |
|----------|-----------------------|
| CODIGO | AANT0500 |
| EQUIV 1: | F-89A18/GA-286/CA8918 |
| OEM: | 17801-50040 |
| EQUIV 2: | |

FILTRO DE AIRE (TUNDRA 3.4L-4.7L 99-13/LAND CRUISER 4.7L 98-07)



TY

AVANZA 1.5L 2007-2015

| | |
|----------|-----------------|
| CODIGO | AANT2000 |
| EQUIV 1: | F-17A01/GA-268 |
| OEM: | 17801-BZ050 |
| EQUIV 2: | |

FILTRO DE AIRE



TY

CAMRY 2.4L/3.0L 2002-2011

| | |
|----------|-----------------------|
| CODIGO | AANT0100 |
| EQUIV 1: | F-93A60/GA-264/CA9360 |
| OEM: | 17801-0H010/20040 |
| EQUIV 2: | |

FILTRO DE AIRE (SIENNA 3.3L-3.5L 02-10/HIGHLANDER 2.4L-2.7L-3.3L-3.5L 01-13)

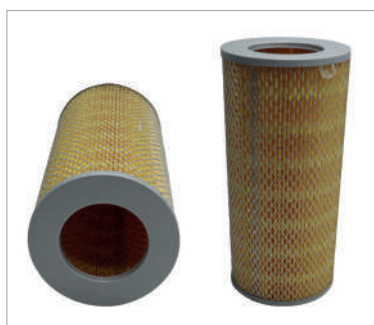


TY

COROLLA 1.8L 2003-2008

| | |
|----------|-----------------------|
| CODIGO | AANT0200 |
| EQUIV 1: | F-94A82/GA-263/CA9482 |
| OEM: | 17801-0D020/22020 |
| EQUIV 2: | |

FILTRO DE AIRE (MATRIX 1.8L 03-08)



TY

HIACE 2.7L 2005-2019

| | |
|----------|-----------------------|
| CODIGO | AANT0400 |
| EQUIV 1: | F-75A01/GA-410/CA5345 |
| OEM: | 17801-75010 |
| EQUIV 2: | |

FILTRO DE AIRE (CILINDRICO)



TY

HIACE 2.7L 2011-2013

| | |
|----------|-----------------|
| CODIGO | AANT0410 |
| EQUIV 1: | F-17A60 |
| OEM: | 17801-30060 |
| EQUIV 2: | |

FILTRO DE AIRE (RECTANGULAR)



TY

HIACE 2.8L/3.5L 2020-2024

| | |
|----------|-----------------|
| CODIGO | AANT0420 |
| EQUIV 1: | F-11A60 |
| OEM: | 17801-31160 |
| EQUIV 2: | |

FILTRO DE AIRE 1GD-FTV/7GR-FKS



FILTRO DE AIRE



TY

HILUX 2.7L 2006-2015

| | |
|----------|-----------------|
| CODIGO | AANT0700 |
| EQUIV 1: | F-17A80/GA-412R |
| OEM: | 17801-0C010 |

| | |
|----------|--|
| EQUIV 2: | |
|----------|--|



FILTRO DE AIRE



TY

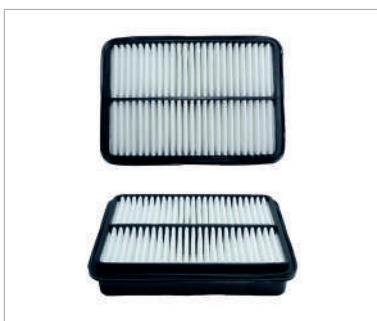
HILUX 2.7L/2.8L 2016-2024

| | |
|----------|-------------------------|
| CODIGO | AANT0710 |
| EQUIV 1: | F-10AL0/GA-1781/CA12055 |
| OEM: | 17801-0L040 |

| | |
|----------|--|
| EQUIV 2: | |
|----------|--|



FILTRO DE AIRE



TY

PICK-UP 2.4L 1984-1995

| | |
|----------|------------------------|
| CODIGO | AANT1300 |
| EQUIV 1: | F-66A90/GA-6690/CA6690 |
| OEM: | 17801-35020 |

| | |
|----------|--|
| EQUIV 2: | |
|----------|--|



FILTRO DE AIRE (4RUNNER 2.4L-2.7L 90-02/TACOMA 2.4L-2.7L 95-04)



TY

RAV-4 2.0L/2.4L 2001-2005

| | |
|----------|-----------------------|
| CODIGO | AANT0600 |
| EQUIV 1: | F-93A59/GA-293/CA9359 |
| OEM: | 17801-28010 |

| | |
|----------|--|
| EQUIV 2: | |
|----------|--|



FILTRO DE AIRE



TY

RAV-4 2.4L/3.5L 2006-2012

| | |
|----------|------------------------|
| CODIGO | AANT0610 |
| EQUIV 1: | F-11A69/GA-320/CA10169 |
| OEM: | 17801-31120 |

| | |
|----------|--|
| EQUIV 2: | |
|----------|--|



FILTRO DE AIRE (COROLLA 2.4L 09-13/MATRIX 2.4L 09-14/CAMRY-AVALON 3.5L 07-11)



TY

RAV-4 2.5L 2013-2018

| | |
|----------|------------------------|
| CODIGO | AANT0620 |
| EQUIV 1: | F-49A31/GA-317/CA10677 |
| OEM: | 17801-0V020 |

| | |
|----------|--|
| EQUIV 2: | |
|----------|--|



FILTRO DE AIRE (CAMRY 2.5L 12-17)



TY

TACOMA 3.4L V6 1995-2004

| | |
|----------|------------------------|
| CODIGO | AANT1600 |
| EQUIV 1: | F-76A26/GA-7626/CA7626 |
| OEM: | 17801-07020 |

| | |
|----------|--|
| EQUIV 2: | |
|----------|--|



FILTRO DE AIRE (4RUNNER 3.4L 96-02)



TY

YARIS 1.5L 2006-2015

| | |
|----------|-------------------------|
| CODIGO | AANT0300 |
| EQUIV 1: | F-101A90/GA-265/CA10190 |
| OEM: | 17801-21050 |

| | |
|----------|--|
| EQUIV 2: | |
|----------|--|



FILTRO DE AIRE (COROLLA 1.8L 09-16/MATRIX 1.8L 09-14)

FILTRO DE AIRE



VK

AMAROK 2.0L 2011-2022

| | |
|----------|---------------------------|
| CODIGO | AANV4000 |
| EQUIV 1: | F-2HA01/GAVW-1262/CA10696 |
| OEM: | 2H0-129-620A |

| | |
|----------|--|
| EQUIV 2: | |
|----------|--|



FILTRO DE AIRE C/ESPONJA



VK

BORA 1.9L DIESEL 2006-2010

| | |
|----------|-------------------------|
| CODIGO | AANV0410 |
| EQUIV 1: | F-1KA01/GAVW-619/CA9711 |
| OEM: | 1K0-129-620D |

| | |
|----------|--------------------------|
| EQUIV 2: | TIGUAN-PASSAT 2.0L TURBO |
|----------|--------------------------|



FILTRO DE AIRE (JETTA CLASICO-A6 2.0L TURBO/GOLF A5-A6 GTI 2.0L/BEETLE 2.0L)



VK

BORA 2.5L 2006-2010

| | |
|----------|--------------------------|
| CODIGO | AANV0400 |
| EQUIV 1: | F-7KA12/GAVW-625/CA10085 |
| OEM: | 07K-129-620 |

| | |
|----------|--|
| EQUIV 2: | |
|----------|--|



FILTRO DE AIRE (JETTA A6 2.5L/GOLF A5-A6 2.5L/BEETLE-PASSAT 2.5L)



VK

CRAFTER 2.0L/2.5L 2008-2023

| | |
|----------|---------------------------|
| CODIGO | AANV4100 |
| EQUIV 1: | F-103A30/GAVW-651/CA10330 |
| OEM: | 2E0-129-620B |

| | |
|----------|--|
| EQUIV 2: | |
|----------|--|



FILTRO DE AIRE (MB SPRINTER 2.0L-2.1L-2.2L-2.7L 08-24)



VK

CROSSFOX 1.6L 2016-2017

| | |
|----------|---------------------------|
| CODIGO | AANV2000 |
| EQUIV 1: | F-41A29/GAVW-2941/CA12104 |
| OEM: | 04E-129-620A/B |

| | |
|----------|--|
| EQUIV 2: | |
|----------|--|



FILTRO DE AIRE (VIRTUS 1.6L 20-22/CADDY 1.6L 20-21/IBIZA-ARONA 1.6L 18-22)



VK

EUROVAN 1.9L TDI DIESEL 2005-2010

| | |
|----------|------------------|
| CODIGO | AANV1110 |
| EQUIV 1: | F-7HA01/GAVW-627 |
| OEM: | 7H0-129-620A |

| | |
|----------|--|
| EQUIV 2: | |
|----------|--|



FILTRO DE AIRE (TRANSPORTER 2.0L 11-21)



VK

GOL 1.6L 2008-2021

| | |
|----------|-------------------------|
| CODIGO | AANV0600 |
| EQUIV 1: | F-7NA15/GAVW-628/CA9410 |
| OEM: | 6Y0-129-620 |

| | |
|----------|--|
| EQUIV 2: | |
|----------|--|



FILTRO DE AIRE (SAVEIRO 1.6L 10-22)



VK

JETTA A4/CLASICO 1.8L/2.0L 1999-2015

| | |
|----------|-------------------------|
| CODIGO | AANV0120 |
| EQUIV 1: | F-86A02/GAVW-621/CA8602 |
| OEM: | 1J0-129-620 |

| | |
|----------|--|
| EQUIV 2: | |
|----------|--|



FILTRO DE AIRE (BEETLE 98-11/GOLF A4-A5 99-09/LEON-TOLEDO 1.8L 00-06)



VK

JETTA A6 GLI 2.0L 2010-2018

| | |
|----------|-------------------------|
| CODIGO | AANV0100 |
| EQUIV 1: | F-2KA62/GAVW-629/CA9800 |
| OEM: | 1F0-129-620 |
| EQUIV 2: | AUDI A3 1.4L |

FILTRO DE AIRE (REDONDO) (JETTA CLASICO 2.0L/BORA 2.0L/CADDY 1.2L/LEON 1.4L)



VK

JETTA/GOLF 1.4L TURBO 2015-2018

| | |
|----------|--------------------------|
| CODIGO | AANV0110 |
| EQUIV 1: | F-69A22/GAVW-692/CA11503 |
| OEM: | 04E-129-620 |
| EQUIV 2: | A1-A3-Q2-Q3 1.4L |

FILTRO DE AIRE (TIGUAN 1.4L/IBIZA-TOLEDO-LEON 1.2L-1.4L/ATECA 1.4L/A3 1.2L)



VK

JETTA/GOLF A2/A3 1.8L/2.0L 1987-1998

| | |
|----------|-------------------------|
| CODIGO | AANV0130 |
| EQUIV 1: | F-74A31/GAVW-121/CA7431 |
| OEM: | 1H0-129-620 |
| EQUIV 2: | |

FILTRO DE AIRE (PASSAT 4.0L 02-04/CABRIO 1.8L-2.0L 95-02)



VK

LUPO/POLO 1.6L 2003-2009

| | |
|----------|-------------------------|
| CODIGO | AANV1300 |
| EQUIV 1: | F-36A12/GAVW-623/CA9519 |
| OEM: | 036-129-620D |
| EQUIV 2: | |

FILTRO DE AIRE (IBIZA-CORDOBA 1.6L 03-09/CROSSFOX/ BEETLE 2.0L 06-08/SPORT VAN)



VK

POINTER 1.8L 1998-2009

| | |
|----------|-------------------------|
| CODIGO | AANV0200 |
| EQUIV 1: | F-76A14/GAVW-620/CA5513 |
| OEM: | 377-129-620Z |
| EQUIV 2: | |

FILTRO DE AIRE (POINTER GTI 2.0L 00-05/PICK-UP 00-09)



VK

UP 1.0L 2016-2018

| | |
|----------|-----------------|
| CODIGO | AANV0800 |
| EQUIV 1: | F-29A62/CA11458 |
| OEM: | 04C-129-620D |
| EQUIV 2: | |

FILTRO DE AIRE



VK

VENTO 1.6L DIESEL 2014-2019

| | |
|----------|------------------|
| CODIGO | AANV0700 |
| EQUIV 1: | F-20A69/GAVW-690 |
| OEM: | 6R0-129-620A |
| EQUIV 2: | |

FILTRO DE AIRE C/ESPONJA CLNA REDONDO (IBIZA-TOLEDO 1.2L-1.4L 13-15/AD A1 10-19)



VK

VENTO 1.6L GAS 2014-2022

| | |
|----------|--------------------------|
| CODIGO | AANV0710 |
| EQUIV 1: | F-12A96/GAVW-630/CA10509 |
| OEM: | 036-129-620K/H |
| EQUIV 2: | CADDY 1.6L 16-19 |

FILTRO DE AIRE CLSA/CLPA CUADRADO (POLO 1.6L 13-19/ IBIZA-TOLEDO 1.6L-2.0L 10-17)



FILTRO DE CABINA



| | |
|----------------------------|-----------------|
| CV | |
| AVEO 1.5L 2018-2023 | |
| CODIGO | ABNC9920 |
| EQUIV 1: | CFI-1332 |
| OEM: | 26208524 |
| EQUIV 2: | |

FILTRO DE CABINA (HY SONATA 2.0L-2.4L 15-20)



| | |
|----------------------------|-------------------|
| CV | |
| AVEO 1.6L 2007-2011 | |
| CODIGO | ABNC9900 |
| EQUIV 1: | CFI-9696/CF-10546 |
| OEM: | 96962173 |
| EQUIV 2: | |

FILTRO DE CABINA (PT G3 06-09/SZ SWIFT 1.5L 07-11)



| | |
|----------------------------|-----------------|
| CV | |
| AVEO 1.6L 2012-2017 | |
| CODIGO | ABNC9910 |
| EQUIV 1: | CFI-9812 |
| OEM: | 95981206 |
| EQUIV 2: | |

FILTRO DE CABINA



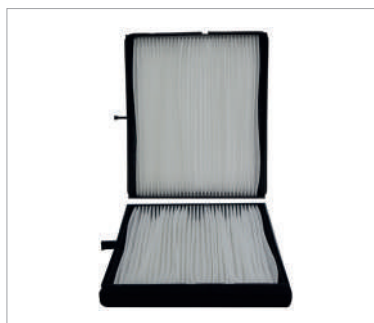
| | |
|-------------------------------------|-----------------|
| CV | |
| CHEVY C-2/C-3 1.6L 2004-2012 | |
| CODIGO | ABNC0100 |
| EQUIV 1: | CFI-1808 |
| OEM: | 25924807 |
| EQUIV 2: | |

FILTRO DE CABINA (CORSA/MERIVA/TORNADO 04-11/VECTRA 2.2L-3.2L)



| | |
|--------------------------------|-----------------|
| CV | |
| MATIZ G2 1.0L 2006-2015 | |
| CODIGO | ABNG0100 |
| EQUIV 1: | CFI-9642 |
| OEM: | 96425700 |
| EQUIV 2: | |

FILTRO DE CABINA



| | |
|-----------------------------|-------------------|
| CV | |
| OPTRA 2.0L 2006-2010 | |
| CODIGO | ABNC1700 |
| EQUIV 1: | CFI-9655/CF-10557 |
| OEM: | 96554378 |
| EQUIV 2: | |

FILTRO DE CABINA (FORENZA 2.0L 04-08)



| | |
|-----------------------------|-----------------|
| CV | |
| SPARK 1.2L 2011-2017 | |
| CODIGO | ABNC0800 |
| EQUIV 1: | CFI-9538 |
| OEM: | 95947238 |
| EQUIV 2: | |

FILTRO DE CABINA (BEAT 1.2L 18-21)



| | |
|--------------------------------|-------------------|
| CV | |
| SPARK NG 1.4L 2016-2021 | |
| CODIGO | ABNC0810 |
| EQUIV 1: | CFI-1327 |
| OEM: | 13271190/13508023 |
| EQUIV 2: | |

FILTRO DE CABINA (SONIC/ONIX/CRUZE/TRAX/MALIBU/CALVALIER/EQUINOX)



FILTRO DE CABINA



DG

ATTITUDE 1.2L 2015-2024

| | |
|----------|-----------------|
| CODIGO | ABNK1110 |
| EQUIV 1: | CFI-7850 |
| OEM: | 7850A002 |

| | |
|----------|--|
| EQUIV 2: | |
|----------|--|

FILTRO DE CABINA (MT MIRAGE-G4 15-24/RN LOGAN 15-19/DUSTER 13-20)



DG

ATTITUDE 1.4L/1.6L 2006-2011

| | |
|----------|-----------------|
| CODIGO | ABNK1100 |
| EQUIV 1: | CFI-9713 |
| OEM: | 97133-1E100 |

| | |
|----------|--|
| EQUIV 2: | |
|----------|--|

FILTRO DE CABINA (FORTE 2.0L 16-18/CRETA 1.6L 17-20)



DG

I-10 1.1L 2011-2014

| | |
|----------|-----------------|
| CODIGO | ABNK0800 |
| EQUIV 1: | CFI-10627 |
| OEM: | 97133-07010 |

| | |
|----------|--|
| EQUIV 2: | |
|----------|--|

FILTRO DE CABINA (GRAND I-10 1.2L 15-23)



FD

EXPLORER 3.5L 2011-2019

| | |
|----------|-----------------|
| CODIGO | ABNF2500 |
| EQUIV 1: | CFI-11176 |
| OEM: | AE9Z-19N619A |

| | |
|----------|--|
| EQUIV 2: | |
|----------|--|

FILTRO DE CABINA (NAVIGATOR 15-17/MKT 10-18/MKS 10-15)



FD

FIESTA FIRST 1.6L 2003-2010

| | |
|----------|------------------|
| CODIGO | ABNF0200 |
| EQUIV 1: | CFI-2S6H/CF-9666 |
| OEM: | 2S6H-16N619AA |

| | |
|----------|--|
| EQUIV 2: | |
|----------|--|

FILTRO DE CABINA (ECOSPORT 2.0L 04-17)



FD

FIGO 1.5L 2016-2022

| | |
|----------|-----------------|
| CODIGO | ABNF0700 |
| EQUIV 1: | CFI-8Z19 |
| OEM: | BE8Z-19N619A |

| | |
|----------|--|
| EQUIV 2: | |
|----------|--|

FILTRO DE CABINA (FIESTA 1.6L 11-19/IKON 11-15/ECOSPORT 18-20)



KA

RIO 1.6L 2018-2023

| | |
|----------|-----------------|
| CODIGO | ABNA0100 |
| EQUIV 1: | CFI-3321 |
| OEM: | 97133-F2000 |

| | |
|----------|--|
| EQUIV 2: | |
|----------|--|

FILTRO DE CABINA (FORTE 19-23/ACCENT 18-22/ELANTRA 17-20/CRETA 21-24)



MZ

MZ 3 2.0L/2.3L/2.5L 2004-2013

| | |
|----------|-------------------|
| CODIGO | ABNZ0110 |
| EQUIV 1: | CFI-BP4K/CF-10218 |
| OEM: | BP4K-61J6X |

| | |
|----------|--|
| EQUIV 2: | |
|----------|--|

FILTRO DE CABINA (2PIEZAS) (MZ 5 2.3L-2.5L 06-15)



FILTRO DE CABINA



MZ

MZ 3 2.0L/2.5L 2014-2018

| | |
|----------|-----------------|
| CODIGO | ABNZ0100 |
| EQUIV 1: | CFI-2410 |
| OEM: | KD45-61J6X |
| EQUIV 2: | |

FILTRO DE CABINA (CX-5 2.0L-2.5L/MZ 6 2.5L 14-21/MZ 5 2.5L 12-15)



NS

SENTRA B-15 1.8L/2.0L/2.5L 2001-2006

| | |
|----------|------------------|
| CODIGO | ABNN1300 |
| EQUIV 1: | CFI-999M/CF-1040 |
| OEM: | 27277-4M400 |
| EQUIV 2: | |

FILTRO DE CABINA D-23 16-24/X-TRAIL 01-07/ALTIMA 02-06/MURANO 03-08/MAXIMA 04-08



NS

SENTRA B-16 2.0L/2.5L 2007-2012

| | |
|----------|-------------------|
| CODIGO | ABNN1400 |
| EQUIV 1: | CFI-2727/CF-10550 |
| OEM: | 27277-EN025 |
| EQUIV 2: | |

FILTRO DE CABINA (X-TRAIL 08-14/ROGUE 08-14/MAXIMA 09-15/ALTIMA HYBRIDO)



NS

SENTRA B-17 1.8L 2013-2020

| | |
|----------|--------------------|
| CODIGO | ABNN1800 |
| EQUIV 1: | CFI-11177/CF-11177 |
| OEM: | 27891-3SG0A |
| EQUIV 2: | |

FILTRO DE CABINA MRA8DE (JUKE 12-19/CUBE 09-14/LEAF 15-17)



NS

TIIDA 1.6L/1.8L 2006-2017

| | |
|----------|-------------------|
| CODIGO | ABNN1100 |
| EQUIV 1: | CFI-2789/CF-10545 |
| OEM: | 27891-EL00A |
| EQUIV 2: | |

FILTRO DE CABINA MR18DE



NS

VERSA 1.6L 2012-2019

| | |
|----------|-----------------|
| CODIGO | ABNN0900 |
| EQUIV 1: | CFI-7277 |
| OEM: | 27278-1KK0A |
| EQUIV 2: | |

FILTRO DE CABINA HR16DE (V-DRIVE/MARCH 11-24/NOTE 14-19)



NS

VERSA 1.6L 2020-2024

| | |
|----------|-------------------------|
| CODIGO | ABNN0910 |
| EQUIV 1: | CFI-8915/CFI-2776CA |
| OEM: | 27891-5RB0B/27277-5NA0A |
| EQUIV 2: | |

FILTRO DE CABINA HR16DE (B-18/KICKS/ALTIMA/PATHFINDER/DUSTER/CAPTUR/OROCH)



RT

SCALA 1.6L 2010-2013

| | |
|----------|-----------------|
| CODIGO | ABNR0700 |
| EQUIV 1: | |
| OEM: | 84384-31100 |
| EQUIV 2: | |

FILTRO DE CABINA (LANCER 2.0L-2.4L 08-16/OUTLANDER 2.4L-3.0L 08-20)



FILTRO DE CABINA



TY

HIACE 2.7L/2.8L/3.5L 2005-2024

| | |
|----------|------------------------|
| CODIGO | ABNT0400 |
| EQUIV 1: | CFI-8719 |
| OEM: | 87139-06080/0R030 |
| EQUIV 2: | CAMRY 12-17/HIGHLANDER |

FILTRO DE CABINA (YARIS 06-17/HILUX 06-15/SIENNA 11-20/RAV-4 06-12/COROLLA 14-16)



VK

GOL 1.6L 2008-2021

| | |
|----------|------------------|
| CODIGO | ABNV0600 |
| EQUIV 1: | CFI-6Q08/CF-9323 |
| OEM: | 6Q0-820-367 |
| EQUIV 2: | ATECA 1.4L 17-19 |

FILTRO DE CABINA (SAVEIRO/VENTO/POLO/LUPO/IBIZA/CORDOBA/CROSSFOX/TIGUAN 18-22)



VK

JETTA A4 1.8L/2.0L 1999-2007

| | |
|----------|------------------|
| CODIGO | ABNV0100 |
| EQUIV 1: | CFI-1H08/CF-8644 |
| OEM: | 1H0-819-644A |
| EQUIV 2: | |

FILTRO DE CABINA (BEETLE 2.5L/DERBY-GOLF A4 1.8L-2.0L/PASSAT 2.8L/IBIZA-CORDOBA)



VK

JETTA CLASICO 1.8L/2.0L 2008-2015

| | |
|----------|---------------------|
| CODIGO | ABNV0110 |
| EQUIV 1: | CFI-1K28CA/CF-10373 |
| OEM: | 1K2-819-653A |
| EQUIV 2: | |

FILTRO DE CABINA (JETTA A6 2.5L/BORA 2.0L-2.5L/BEETLE 2.0L/GOLF A5/TIGUAN/CADDY)



VK

VIRTUS 1.6L 2020-2024

| | |
|----------|-----------------|
| CODIGO | ABNV0900 |
| EQUIV 1: | |
| OEM: | 2Q0-819-644 |
| EQUIV 2: | |

FILTRO DE CABINA MSI (POLO 20-22/T-CROSS 20-24)





| | |
|----------------------------|-----------------|
| CV | |
| AVEO 1.5L 2018-2023 | |
| CODIGO | ACNC9900 |
| EQUIV 1: | |
| OEM: | 24112336 |
| EQUIV 2: | |

FILTRO DE ACEITE L2B (CAVALIER 1.5L 18-23)



| | |
|----------------------------------|---------------------------|
| CV | |
| CHEVY 1.4L/1.6L 1994-2012 | |
| CODIGO | ACNC0100 |
| EQUIV 1: | OF-3387/GP-46/3387A-4722A |
| OEM: | 96879797 |
| EQUIV 2: | ASTRA/ASTRO/EXPRESS VAN |

FILTRO DE ACEITE (C-2/C-3/CORSA/AVEO/OPTRA/TORNADO/MERIVA/G-3/EQUINOX/CAVALIER)



| | |
|---|--------------------------|
| CV | |
| EQUINOX 2.4L/3.4L/3.6L 2005-2013 | |
| CODIGO | ACNC3400 |
| EQUIV 1: | OF-10060/GP-405/PH10575 |
| OEM: | 4884900AB |
| EQUIV 2: | G.CHEROKEE/MUSTANG/YUKON |

FILTRO DE ACEITE (CAPTIVA/CALIBER/LIBERTY/PATRIOT/JOURNEY/DURANGO/NITRO/EDGE)



| | |
|-----------------------------------|-------------------------|
| CV | |
| MATIZ G1/G2 1.0L 2003-2015 | |
| CODIGO | ACNG0100 |
| EQUIV 1: | OF-4967/GP-157/PH4967 |
| OEM: | 25161880 |
| EQUIV 2: | SWIFT 2007/GRAND VITARA |

FILTRO DE ACEITE AVANZA 12-21/YARIS 06-20/COROLLA 09-22/RAV-4 21-22/MATRIX 09-14



| | |
|-----------------------------|-------------------------|
| CV | |
| SONIC 1.6L 2012-2018 | |
| CODIGO | ACNC0900 |
| EQUIV 1: | OF-10246/G-3751/CH10246 |
| OEM: | 93185674/5650359 |
| EQUIV 2: | |

FILTRO DE ACEITE CARTUCHO LDE (CRUZE 1.4L-1.8L 10-15/TRAX 1.8L 13-20)



| | |
|-----------------------------|------------------------|
| CV | |
| SPARK 1.2L 2011-2017 | |
| CODIGO | ACNC0800 |
| EQUIV 1: | OF-2518/GP-409/PH11462 |
| OEM: | 25181616 |
| EQUIV 2: | |

FILTRO DE ACEITE SMARTECH II (BEAT 1.2L 18-21)



| | |
|--------------------------------|-------------------------|
| CV | |
| SPARK NG 1.4L 2016-2021 | |
| CODIGO | ACNC0810 |
| EQUIV 1: | OF-10060/GP-405/PH10575 |
| OEM: | 12674698/12696048 |
| EQUIV 2: | |

FILTRO DE ACEITE LV7 (ONIX 1.0L-1.2L/EQUINOX-MALIBU 1.5L-2.0L) (NUEVA LINEA)



| | |
|----------------------------|----------------------|
| OG | |
| ATOS 1.0L 2000-2004 | |
| CODIGO | ACNK0100 |
| EQUIV 1: | OF-6607/GP-91/PH6607 |
| OEM: | 05069-273AB |
| EQUIV 2: | |

FILTRO DE ACEITE BAJO 68MM





| | |
|----------------------------|----------------------|
| DG | |
| ATOS 1.1L 2005-2012 | |
| CODIGO | ACNK0110 |
| EQUIV 1: | OF-2500/GP-91/PH6607 |
| OEM: | 26300-02750 |
| EQUIV 2: | |

FILTRO DE ACEITE ALTO 77MM (I-10 1.1L 11-14)



| | |
|-------------------------------------|---------------------------|
| DG | |
| ATTITUDE 1.4L/1.6L 2006-2014 | |
| CODIGO | ACNK1100 |
| EQUIV 1: | OF-3593H/GP-6811/PH6811 |
| OEM: | 1500P-0H305/15400-PH1-014 |
| EQUIV 2: | |

FILTRO DE ACE FORTE/RIO/ACCENT/ELANTRA/VERNA/OPTIMA/NIRO/SANTA FE/SONATA/SORENTO



| | |
|-----------------------------------|------------------------|
| DG | |
| H-100 VAN DIESEL 2010-2014 | |
| CODIGO | ACNK1420 |
| EQUIV 1: | OF-4240/GP-112/PH10128 |
| OEM: | 26330-4X000 |
| EQUIV 2: | |

FILTRO DE ACEITE (GASOLINA/DIESEL) (H-100 2.4L-2.5L 03-12/L200 2.5L 08-21)



| | |
|-------------------------------|-----------------------|
| DG | |
| RAM 700 1.6L 2015-2020 | |
| CODIGO | ACNK0600 |
| EQUIV 1: | OF-9584/G-446 |
| OEM: | 68174518AA |
| EQUIV 2: | MINICOOPER 1.6L 02-06 |

FILTRO DE ACEITE CARTUCHO (VISION 15-19/NEON 17-20/PALIO 13-20/RENEGADE 16-20)



| | |
|------------------------------------|------------------------|
| DG | |
| STRATUS 2.0L/2.4L 1995-2006 | |
| CODIGO | ACNK0400 |
| EQUIV 1: | OF-16/GP-16/GP-81/PH16 |
| OEM: | 5281090AB |
| EQUIV 2: | |

FILTRO DE ACEITE (NEON/CIRRUS/CARAVAN-VOYAGER 2.4L-3.0L/RAM-1500)



| | |
|--|----------------------|
| FD | |
| RANGER 2.3L/2.5L/3.0L 1998-2012 | |
| CODIGO | ACNF0410 |
| EQUIV 1: | OF-3600/GP-36/PH3600 |
| OEM: | E4FZ-6731AB |
| EQUIV 2: | |

FILTRO DE ACEITE (KA/KON/COURIER/F-150/WINSTAR/MUSTANG/RAM/NEON/DAKOTA)



| | |
|---|--------------------------|
| FD | |
| RANGER 2.3L/2.5L/3.0L/4.0L 1995-1997 | |
| CODIGO | ACNF0400 |
| EQUIV 1: | OF-3600/GP-1/PH2850-32-3 |
| OEM: | E4FZ-6731A |
| EQUIV 2: | |

FILTRO DE ACEITE (F-150-250-350/AEROSTAR 4.0L/EXPLO-RER 4.0L/MUSTANG 5.0L)



| | |
|---|--------------------|
| NS | |
| NP-300 (D-22) 4WD 2.5L 2008-2015 | |
| CODIGO | ACNN0700 |
| EQUIV 1: | OF-200/G-25/CH9432 |
| OEM: | 15208-AD200 |
| EQUIV 2: | |

FILTRO DE ACEITE CARTUCHO DIESEL YD25DDTI



FILTRO DE ACEITE



| | |
|-------------------------------------|-----------------|
| NS | |
| NV-350 2.5L DIESEL 2013-2022 | |
| CODIGO | ACNN0400 |
| EQUIV 1: | OF-1520/GP-171 |
| OEM: | 15208-BN30A |
| EQUIV 2: | |

FILTRO DE ACEITE DIESEL YD25DDTI (NP-300 D-22 4WD 2.5L 08-15/CABSTAR 2.5L)



| | |
|----------------------------------|--------------------------|
| NS | |
| NV-350 2.5L GAS 2013-2022 | |
| CODIGO | ACNN0410 |
| EQUIV 1: | PH6607/GP-91/ML1014 |
| OEM: | 15208-65FOA/65F0C |
| EQUIV 2: | CX-3/CX-5/KOLEOS/FLUENCE |

FILTRO DE ACEITE (D-23/URVAN 2.5L/MARCH/VERSA 20-24/B-16/B-17/KICKS/ROGUE/JUKE)



| | |
|-------------------------------|-----------------------|
| NS | |
| PLATINA 1.6L 2002-2010 | |
| CODIGO | ACNN0300 |
| EQUIV 1: | OF-4177/GP-291/PH5796 |
| OEM: | 15208-00QAC |
| EQUIV 2: | MEGANE/SCENIC |

FILTRO DE ACEITE (APRIO/CLIO/DUSTER/KANGOO/LOGAN/SCALA/SANDERO/CAPTUR/OROCH)



| | |
|------------------------------|---------------------------|
| NS | |
| TS-III 1.6L 1992-2017 | |
| CODIGO | ACNN0100 |
| EQUIV 1: | OF-4386-3682/GP-156/PH438 |
| OEM: | 15208-F4300/F4301/F4600 |
| EQUIV 2: | |

FILTRO DE ACEITE CHICO (B-14/LUCINO/MICRA/MARCH/PATHFINDER/ALTIMA/SX4/TRACKER)



| | |
|------------------------------|---------------------|
| NS | |
| TS-III 1.6L 1992-2017 | |
| CODIGO | ACNN0110 |
| EQUIV 1: | OF-966/GP-37/PH966B |
| OEM: | 15208-H8903 |
| EQUIV 2: | |

FILTRO DE ACEITE GRANDE (D-21/D-22/TSUBAME/B-14/TS-II/TS-I/ALTIMA/QUEST)



| | |
|------------------------------------|-----------------|
| NS | |
| URVAN 3.0L DIESEL 2007-2012 | |
| CODIGO | ACNN0420 |
| EQUIV 1: | OF-2092/G-5208 |
| OEM: | 15209-2W200 |
| EQUIV 2: | |

FILTRO DE ACEITE CARTUCHO ZD30DDTI



| | |
|-----------------------------|---------------------------|
| NS | |
| VERSA 1.6L 2012-2019 | |
| CODIGO | ACNN0900 |
| EQUIV 1: | OF-6607-7317-3593/GP-149 |
| OEM: | 15208-F4600/31U00/31U01 |
| EQUIV 2: | FRONTIER/MURANO/L200 2.4L |

FILTRO DE ACEITE (V-DRIVE/TIIDA/ATTI 1.2L/URVAN 2.4L/D-22/D-21/B-18/B-15/X-TRAIL)



| | |
|--------------------------------------|-----------------|
| PG | |
| PARTNER 1.6L DIESEL 2013-2019 | |
| CODIGO | ACNP0200 |
| EQUIV 1: | FO-11Z5 |
| OEM: | 1109-AY |
| EQUIV 2: | |

FILTRO DE ACEITE CARTUCHO (PG-208-301 1.6L/MANAGER 2.2L DIESEL)





| | |
|-----------------------------------|----------------------|
| PG | |
| PG-206 1.4L/1.6L 1999-2009 | |
| CODIGO | ACNP0100 |
| EQUIV 1: | OF-1109/G-141/CH9443 |
| OEM: | 1109-R6 |
| EQUIV 2: | |

FILTRO DE ACEITE CARTUCHO LARGO (PARTNER 1.6L 04-12/ GRAND RAID 07-12)



| | |
|-----------------------------------|-----------------------|
| PG | |
| PG-206 1.4L/1.6L 1999-2009 | |
| CODIGO | ACNP0110 |
| EQUIV 1: | OF-11Z1/G-341 |
| OEM: | 1109-AJ |
| EQUIV 2: | MINICOOPER 1.6L 07-16 |

FILTRO DE ACEITE CARTUCHO CORTO (PG-207-208-301-307-308-3008/TRANSIT 2.2L TDI)



| | |
|-----------------------------------|-----------------------|
| PG | |
| PG-206 1.4L/1.6L 1999-2009 | |
| CODIGO | ACNP0120 |
| EQUIV 1: | OF-11T0/GP-461/GP-462 |
| OEM: | ELH4-119 |
| EQUIV 2: | |

FILTRO DE ACEITE SELLADO (PG-307 2.0L/PG-407 2.0L-3.0L/ LAGUNA 3.0L)



| | |
|---------------------------------------|---------------------------|
| TY | |
| HIACE 2.7L/2.8L/3.5L 2005-2024 | |
| CODIGO | ACNT0400 |
| EQUIV 1: | OF-3614/GP-58-3614/PH3614 |
| OEM: | 4105409AB |
| EQUIV 2: | TOWN & COUNTRY |

FILTRO DE ACEITE (HILUX/FIGO/FIESTA/ECOSPORT/ESCAPE/ MZ 3/VOYAGER/CARAVAN)



| | |
|-----------------------------|-----------------|
| TY | |
| RAV-4 2.4L 2006-2012 | |
| CODIGO | ACNT0600 |
| EQUIV 1: | OF-4386/GP-156 |
| OEM: | 90915-YZZF1 |
| EQUIV 2: | |

FILTRO DE ACEITE (AVANZA 07-11/CAMRY 02-11/MATRIX 03-08/SWIFT 12-24/SX-4 06-14)



| | |
|----------------------------------|--------------------------|
| TY | |
| RAV-4 2.5L/3.5L 2013-2020 | |
| CODIGO | ACNT0610 |
| EQUIV 1: | OF-9972/G-912/CH-9972 |
| OEM: | 04152-YZZA1 |
| EQUIV 2: | MATRIX 09-14/PRIUS 11-17 |

FILTRO DE ACEITE CARTUCHO (HIACE 20-22/COROLLA 09-21/SIENNA/CAMRY/HIGHLANDER)



| | |
|---------------------------------|------------------------|
| VK | |
| BORA 2.0L/2.5L 2006-2010 | |
| CODIGO | ACNV0400 |
| EQUIV 1: | OF-5562/G-313/CH9911 |
| OEM: | 06D-115-466 |
| EQUIV 2: | LEON/TOLEDO/AUDI A3-A4 |

FILTRO DE ACEITE CARTUCHO (JETTA A6 2.0L-2.5L/GOLF A5 GTI 2.0L/BEETLE/PASSAT)



| | |
|--|-----------------|
| VK | |
| EUROVAN 1.9L TDI DIESEL 2005-2010 | |
| CODIGO | ACNV1110 |
| EQUIV 1: | OF-9461/GP-466 |
| OEM: | 071-115-562A |
| EQUIV 2: | |

FILTRO DE ACEITE CARTUCHO (JT-GF 1.9L/PASSAT/BEETLE 1.9L/BORA 1.9L TDI)



FILTRO DE ACEITE



| | |
|---------------------------|-----------------|
| VK | |
| GOL 1.6L 2008-2021 | |
| CODIGO | ACNV0600 |
| EQUIV 1: | OF-5548D/GP-428 |
| OEM: | 030-115-561T |
| EQUIV 2: | |

FILTRO DE ACEITE (SAVEIRO/POLO/LUPO/CROSSFOX/CORDOBA/SPORT VAN)



| | |
|---|-----------------------|
| VK | |
| JETTA A4/CLASICO 1.8L/2.0L 1999-2015 | |
| CODIGO | ACNV0100 |
| EQUIV 1: | OF-2870/GP-28/PH2870A |
| OEM: | 056-115-561G |
| EQUIV 2: | |

FILTRO DE ACEITE 2VAL (JT A6 2.0L/BEETLE/GOLF A4/JT-GF A2-A3/DERBY/IBIZA/CARIBE)



| | |
|---------------------------------|------------------------|
| VK | |
| LUPO/POLO 1.6L 2003-2009 | |
| CODIGO | ACNV1300 |
| EQUIV 1: | OF-5548D/GP-428/PH8839 |
| OEM: | 030-115-561T |
| EQUIV 2: | |

FILTRO DE ACEITE (GOL/SAVEIRO/CORDOBA 03-09/CROSS-FOX/SPORT VAN 07-09)



| | |
|-------------------------------|-----------------------|
| VK | |
| POINTER 1.8L 1998-2009 | |
| CODIGO | ACNV0210 |
| EQUIV 1: | OF-2870/GP-28/PH2870A |
| OEM: | 030-115-561AP |
| EQUIV 2: | |

FILTRO DE ACEITE 1VAL (JETTA CLASICO/JT-GF A4/LUPO/POLO/COMBI/SEDAN/SHARAN)



| | |
|------------------------------------|------------------------|
| VK | |
| VENTO 1.6L DIESEL 2014-2019 | |
| CODIGO | ACNV0710 |
| EQUIV 1: | OF-3L62/G-362/CH-10759 |
| OEM: | O3L-115-562 |
| EQUIV 2: | |

FILTRO DE ACEITE (AMAROK-TRANSPORTER 2.0L 11-22/PAS-SAT 2.0L 12-15/CRAFTER 2.0L)



| | |
|---------------------------------|------------------------|
| VK | |
| VENTO 1.6L GAS 2014-2022 | |
| CODIGO | ACNV0700 |
| EQUIV 1: | OF-6103/GP-561/PH10757 |
| OEM: | O3C-115-561H |
| EQUIV 2: | |

FILTRO DE ACEITE (POLO 13-22/TIGUAN/SHARAN/CADDY 1.2L/LEON/TOLEDO/AD A1)



| | |
|------------------------------|-----------------|
| VK | |
| VIRTUS 1.6L 2020-2024 | |
| CODIGO | ACNV0900 |
| EQUIV 1: | OF-7503/GP-503 |
| OEM: | 04E-115-561H |
| EQUIV 2: | ATECA/AD A3-Q3 |

FILTRO DE ACEITE MSI (JETTA-GOLF A7/CROSSFOX/UP/IBIZA/LEON/TOLEDO/ECOSPORT 18-20)





DG

H-100 2.5L DIESEL 2006-2012

| | |
|----------|----------------------|
| CODIGO | ADNK1400 |
| EQUIV 1: | FGI-100/GG-111/C9608 |
| OEM: | 31973-44001 |

| | |
|----------|--|
| EQUIV 2: | |
| | |



FILTRO DE DIESEL D4BH



IS

ELF-400/500/600 5.2L 2010-2024

| | |
|----------|--------------------------|
| CODIGO | ADNI0300 |
| EQUIV 1: | FGI-289-D/GPP-111/PS4886 |
| OEM: | 8-98037481-0 |

| | |
|----------|--|
| EQUIV 2: | |
| | |



FILTRO DE DIESEL (ELF-450 5.2L 07-09)



MT

L200 2.4L/2.5L 2008-2019

| | |
|----------|-----------------|
| CODIGO | ADNS1300 |
| EQUIV 1: | FGI-352D |
| OEM: | 23390-0L010 |

| | |
|----------|--|
| EQUIV 2: | |
| | |



FILTRO DE DIESEL 4G64/4D56T



NS

NP-300 (D-22) 4WD 2.5L 2008-2015

| | |
|----------|-----------------|
| CODIGO | ADNN0700 |
| EQUIV 1: | FGI-263 |
| OEM: | 16405-02N0A |

| | |
|----------|--|
| EQUIV 2: | |
| | |



FILTRO DE DIESEL YD25DDTI (NV-350 2.5L DIESEL)



NS

URVAN 3.0L DIESEL 2007-2012

| | |
|----------|-----------------|
| CODIGO | ADNN0410 |
| EQUIV 1: | FGI-272 |
| OEM: | 16405-01T0A |

| | |
|----------|--|
| EQUIV 2: | |
| | |



FILTRO DE DIESEL SEDIMENTADOR (NV-350 DIESEL/NP-300 2.5L/CABSTAR 2.5L)



NS

URVAN 3.0L DIESEL 2007-2012

| | |
|----------|-----------------|
| CODIGO | ADNN0420 |
| EQUIV 1: | FGI-303D |
| OEM: | 16400-ES60A |

| | |
|----------|--|
| EQUIV 2: | |
| | |



FILTRO DE DIESEL C/TOMA (NV-350 2.5L DIESEL YD25DDTI)

FILTRO DE GASOLINA



| | |
|----------------------------|------------------------|
| CV | |
| AVEO 1.5L 2018-2023 | |
| CODIGO | AGNC9900 |
| EQUIV 1: | FGI-366/GG-2340/G12451 |
| OEM: | 90872178 |
| EQUIV 2: | |

FILTRO DE GASOLINA L2B (CAVALIER 1.5L 18-23)



| | |
|----------------------------|---------------------------|
| CV | |
| AVEO 1.6L 2007-2017 | |
| CODIGO | AGNC9910 |
| EQUIV 1: | FGI-227/GG419/G9960/G5540 |
| OEM: | 96335719 |
| EQUIV 2: | OPTRA 2.0L 06-10 |

FILTRO DE GASOLINA (MATIZ G1-G2 03-15/SPARK NG 1.4L 16-20/SONIC 1.6L 12-18)



| | |
|----------------------------------|--------------------------|
| CV | |
| CHEVY 1.4L/1.6L 1994-2012 | |
| CODIGO | AGNC0100 |
| EQUIV 1: | FGI-12/GG-64/G5995/G7143 |
| OEM: | 25121074/GF-618 |
| EQUIV 2: | |

FILTRO DE GASOLINA (C-2/C-3/CORSA/MERIVA/TORNADO/ASTRA/ZAFIRA)



| | |
|---------------------------------|-----------------|
| CV | |
| ONIX 1.0L/1.2L 2020-2024 | |
| CODIGO | AGNC0500 |
| EQUIV 1: | |
| OEM: | |
| EQUIV 2: | |

FILTRO DE GASOLINA C/VALVULA



| | |
|----------------------------|--------------------|
| CV | |
| SILVERADO 1999-2013 | |
| CODIGO | AGNC2600 |
| EQUIV 1: | FGI-19/G3727/GG-46 |
| OEM: | 25055046 |
| EQUIV 2: | |

FILTRO DE GASOLINA 4.3L/4.8L/5.3L/5.7L/6.0L/8.1L (SUSURBAN/AVALANCHE)



| | |
|-----------------------------|-----------------|
| CV | |
| SPARK 1.2L 2011-2017 | |
| CODIGO | AGNC0800 |
| EQUIV 1: | |
| OEM: | 96335719 |
| EQUIV 2: | |

FILTRO DE GASOLINA SMARTECH II (BEAT 1.2L 18-21/SPARK NG 1.4L 16-21)



| | |
|----------------------------|-----------------|
| DG | |
| ATOS 1.0L 2000-2004 | |
| CODIGO | AGNK0100 |
| EQUIV 1: | FGI-201/GG-169 |
| OEM: | 31911-02100 |
| EQUIV 2: | |

FILTRO DE GASOLINA



| | |
|----------------------------|----------------------|
| DG | |
| ATOS 1.1L 2005-2012 | |
| CODIGO | AGNK0110 |
| EQUIV 1: | FGI-242/GG-369/C9961 |
| OEM: | 31911-05000 |
| EQUIV 2: | |

FILTRO DE GASOLINA



FILTRO DE GASOLINA

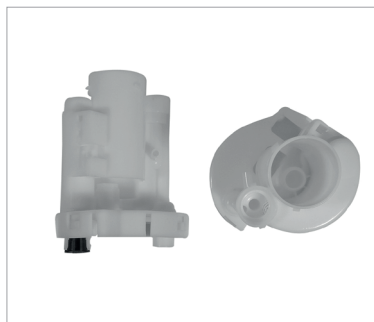


DG

ATTITUDE 1.2L 2015-2024

| | |
|----------|-----------------|
| CODIGO | AGNK1110 |
| EQUIV 1: | |
| OEM: | 1770A259 |
| EQUIV 2: | |

FILTRO DE GASOLINA (MT MIRAGE G4 19-24)



DG

ATTITUDE 1.4L/1.6L 2006-2011

| | |
|----------|-----------------|
| CODIGO | AGNK1100 |
| EQUIV 1: | |
| OEM: | 31112-1G000 |
| EQUIV 2: | |

FILTRO DE GASOLINA



DG

I-10 1.1L 2011-2014

| | |
|----------|-----------------|
| CODIGO | AGNK0800 |
| EQUIV 1: | |
| OEM: | 31910-2H000 |
| EQUIV 2: | |

FILTRO DE GASOLINA



DG

TOWN & COUNTRY 3.3L 2001-2007

| | |
|----------|----------------------|
| CODIGO | AGNK0500 |
| EQUIV 1: | FGI-134/GG-265/G7610 |
| OEM: | 4809117AB |
| EQUIV 2: | |

FILTRO DE GASOLINA (L CORTA) (CARAVAN/VOYAGER 2.4L-3.3L/G.VOYAGER 96-00)



DG

VOYAGER 3.3L/3.8L 1996-2016

| | |
|----------|----------------------|
| CODIGO | AGNK1500 |
| EQUIV 1: | FGI-135/GG-267/G7609 |
| OEM: | 4809118AB |
| EQUIV 2: | |

FILTRO DE GASOLINA (L LARGA) (G.CARAVAN 96-07/T&COUNTRY 96-00)



FT

UNO 1.4L 2015-2020

| | |
|----------|-----------------|
| CODIGO | AGNB0200 |
| EQUIV 1: | FGI-140/G7729 |
| OEM: | 46416684 |
| EQUIV 2: | |

FILTRO DE GASOLINA (RAM 700 1.6L 15-20/PALIO 1.6L 06-17)



FD

ESCAPE 2.0L/2.3L/3.0L 2001-2007

| | |
|----------|---------------------|
| CODIGO | AGNF0500 |
| EQUIV 1: | FGI-11/GG-47/G3802A |
| OEM: | E3FZ-9155C |
| EQUIV 2: | |

FILTRO DE GASOLINA (MUSTANG 95-99/CONTOUR 95-02/AEROSTAR 95-97/TAURUS)



FD

ESCAPE 2.5L/3.0L 2008-2012

| | |
|----------|----------------------|
| CODIGO | AGNF0510 |
| EQUIV 1: | FGI-18/GG-1872/G3850 |
| OEM: | F0TZ-9155B |
| EQUIV 2: | EXPEDITION 97-04 |

FILTRO DE GASOLINA (COURIER 01-10/F-150 92-03/RANGER 95-97/EXPLORER 91-00)



FILTRO DE GASOLINA



| | |
|-----------------------------------|---------------------|
| FD | |
| FIESTA 1.3L/1.4L 1998-2002 | |
| CODIGO | AGNF0200 |
| EQUIV 1: | FGI-132/GG-82/G7099 |
| OEM: | 92SB-9155AB |
| EQUIV 2: | |

FILTRO DE GASOLINA (COURIER 1.6L 01-10)



| | |
|------------------------------|-----------------|
| FD | |
| FIESTA 1.6L 2011-2019 | |
| CODIGO | AGNF0210 |
| EQUIV 1: | FGI-283 |
| OEM: | 2S61-9155AB |
| EQUIV 2: | |

FILTRO DE GASOLINA



| | |
|------------------------------------|----------------------|
| FD | |
| FIESTA FIRST 1.6L 2003-2010 | |
| CODIGO | AGNF0220 |
| EQUIV 1: | FGI-133/GG-986/G8018 |
| OEM: | F89Z-9155A |
| EQUIV 2: | |

FILTRO DE GASOLINA (KA 01-08/F-150/FOCUS/ECOSPORT/
RANGER 98-99/WINDSTAR)



| | |
|--|------------------------|
| FD | |
| RANGER 2.3L/3.0L/4.0L 2002-2012 | |
| CODIGO | AGNF0430 |
| EQUIV 1: | FGI-207A/GG-308/G8861A |
| OEM: | 2L2Z-9155AB |
| EQUIV 2: | |

FILTRO DE GASOLINA (FOCUS 07-14/EXPLORER 02-03/FRE-
ESTAR 06-07/MZ B2300)



| | |
|----------------------------------|-----------------|
| HY | |
| GRAND I-10 1.2L 2015-2023 | |
| CODIGO | AGND0300 |
| EQUIV 1: | |
| OEM: | 31112-1R000 |
| EQUIV 2: | |

FILTRO DE GASOLINA



| | |
|---------------------------|-----------------|
| KA | |
| RIO 1.6L 2018-2023 | |
| CODIGO | AGNA0100 |
| EQUIV 1: | |
| OEM: | 31112-C9100 |
| EQUIV 2: | |

FILTRO DE GASOLINA (ACCENT 1.6L 18-22) (SEDAN/H-BACK)



| | |
|---|-----------------|
| NS | |
| NP-300 (D-22) 2WD 2.4L 2008-2015 | |
| CODIGO | AGNN0700 |
| EQUIV 1: | FGI-260 |
| OEM: | 16400-F4000 |
| EQUIV 2: | |

FILTRO DE GASOLINA



| | |
|---|-----------------|
| NS | |
| NP-300 FRONTIER (D-23) 2016-2024 | |
| CODIGO | AGNN0710 |
| EQUIV 1: | |
| OEM: | 17040-4KH0B |
| EQUIV 2: | |

FILTRO DE GASOLINA (2.5L GASOLINA) (B-17
13-22/X-TRAIL-ROGUE 08-14/APRIO 08-10)



FILTRO DE GASOLINA



NS

NV-350 2.5L GAS 2013-2022

| | |
|----------|-----------------|
| CODIGO | AGNN0420 |
| EQUIV 1: | |
| OEM: | 17040-3XA0B |
| EQUIV 2: | |



FILTRO DE GASOLINA QR25



NS

PLATINA 1.6L 2002-2010

| | |
|----------|----------------------|
| CODIGO | AGNN0300 |
| EQUIV 1: | FGI-190/GG-291/G5857 |
| OEM: | 16400-00QAA |
| EQUIV 2: | |



FILTRO DE GASOLINA METAL (APRIO/CLIO/KANGOO/PARTNER/PG-206/PG-207)



NS

PLATINA 1.6L 2002-2010

| | |
|----------|----------------------|
| CODIGO | AGNN0310 |
| EQUIV 1: | FGI-190/GG-291/G5857 |
| OEM: | 16400-00QAA |
| EQUIV 2: | |



FILTRO DE GASOLINA PLASTICO (APRIO/CLIO/KANGOO/PARTNER/PG-206/PG-207)



NS

SENTRA B-15 1.8L 2001-2006

| | |
|----------|-----------------|
| CODIGO | AGNN1300 |
| EQUIV 1: | FGI-271 |
| OEM: | 16400-2Y922 |
| EQUIV 2: | |



FILTRO DE GASOLINA C/MANGUERA



NS

TIIDA 1.6L/1.8L 2006-2017

| | |
|----------|-----------------|
| CODIGO | AGNN1100 |
| EQUIV 1: | |
| OEM: | 17040-JX30A |
| EQUIV 2: | |



FILTRO DE GASOLINA MR18DE



NS

TS-II 1.6L 1987-1991

| | |
|----------|--------------------|
| CODIGO | AGNN0500 |
| EQUIV 1: | FGI-33/GG-39/G6344 |
| OEM: | 16400-59A00 |
| EQUIV 2: | |



FILTRO DE GASOLINA (PLASTICO EN L) (HIKARI 88-91/ICHIVAN 88-94)



NS

TS-III 1.6L 1992-1998

| | |
|----------|--------------------|
| CODIGO | AGNN0100 |
| EQUIV 1: | FGI-27/GG-63/G4777 |
| OEM: | 16400-V2700 |
| EQUIV 2: | |



FILTRO DE GAS MET RECTO (FRONT/TSUBA/X-TERRA/B-14/LUCINO/PATHF/MAXI/URVAN 00-01)



NS

TS-III 1.6L 1999-2017

| | |
|----------|---------------------|
| CODIGO | AGNN0110 |
| EQUIV 1: | FGI-37/GG-137/G5237 |
| OEM: | 16400-72L00 |
| EQUIV 2: | |



FILTRO DE GASOLINA MET CURVO (D-21 94-07/B-14/ALTI-MAL/LUCINO GSR)



NS

URVAN 2.4L 2002-2006

| | |
|----------|-----------------|
| CODIGO | AGNN0400 |
| EQUIV 1: | FGI-270 |
| OEM: | 16400-4M405 |

| | |
|----------|--|
| EQUIV 2: | |
|----------|--|



FILTRO DE GASOLINA KA24DE



NS

URVAN 2.5L 2007-2012

| | |
|----------|-----------------|
| CODIGO | AGNN0410 |
| EQUIV 1: | |
| OEM: | 16400-VZ10B |

| | |
|----------|--|
| EQUIV 2: | |
|----------|--|



FILTRO DE GASOLINA C/REGULADOR SENSOR QR25DE



NS

VERSA 1.6L 2012-2014

| | |
|----------|-------------------------|
| CODIGO | AGNN0900 |
| EQUIV 1: | |
| OEM: | 17040-EW800/16400-1JZ0A |

| | |
|----------|--|
| EQUIV 2: | |
|----------|--|



FILTRO DE GASOLINA HR16DE (MARCH 11-13)



NS

VERSA 1.6L 2015-2024

| | |
|----------|-----------------|
| CODIGO | AGNN0910 |
| EQUIV 1: | |
| OEM: | 17040-1K00A |

| | |
|----------|--|
| EQUIV 2: | |
|----------|--|



FILTRO DE GASOLINA HR16DE (V-DRIVE/MARCH 14-24/KICKS 17-24)



TY

4RUNNER 2.4L 1984-1995

| | |
|----------|----------------------|
| CODIGO | AGNT0500 |
| EQUIV 1: | FGI-81/GG-6469/G6469 |
| OEM: | 23300-39035 |

| | |
|----------|--|
| EQUIV 2: | |
|----------|--|



FILTRO DE GASOLINA (TY PICK-UP 22R 2.4L)



TY

HIACE 2.7L 2005-2019

| | |
|----------|-----------------|
| CODIGO | AGNT0400 |
| EQUIV 1: | FGI-268 |
| OEM: | 23300-21030 |

| | |
|----------|--|
| EQUIV 2: | |
|----------|--|



FILTRO DE GASOLINA C/VALVULA (YARIS 1.5L 06-15)



VK

BORA 2.0L GLI 2006-2010

| | |
|----------|-----------------|
| CODIGO | AGNV0410 |
| EQUIV 1: | FGI-298 |
| OEM: | 1K0-201-051K |

| | |
|----------|--|
| EQUIV 2: | |
|----------|--|



FILTRO DE GASOLINA C/REGU 6.4 BAR (TURBO) (JETTA A6 2.0L/GOLF A5-A6 GTI 2.0L)



VK

BORA 2.5L 2006-2010

| | |
|----------|-----------------|
| CODIGO | AGNV0400 |
| EQUIV 1: | FGI-276/GG-107 |
| OEM: | 6Q0-201-051C |

| | |
|----------|--|
| EQUIV 2: | |
|----------|--|



FILTRO DE GASOLINA C/REGU 4.0 BAR (JETTA A6 2.5L/VENTO GAS 14-22/POLO 1.6L-2.0L)

FILTRO DE GASOLINA



VK

GOL 1.6L 2008-2021

| | |
|----------|----------------------|
| CODIGO | AGNV0600 |
| EQUIV 1: | FGI-190/GG-291/G5857 |
| OEM: | 6QE-201-511C |

| | |
|----------|--|
| EQUIV 2: | |
|----------|--|



FILTRO DE GASOLINA METAL (SAVEIRO/PLATINA/APRIO/
CLIO/KANGOO/PG-206/PG-207)



VK

JETTA A4/CLASICO 1.8L/2.0L 1999-2015

| | |
|----------|----------------------|
| CODIGO | AGNV0110 |
| EQUIV 1: | FGI-105/GG-102/G5870 |
| OEM: | 1JO-201-511A |

| | |
|----------|--|
| EQUIV 2: | |
|----------|--|



FILTRO DE GASOLINA (BEETLE 98-11/GOLF A4-A5 99-09/
EUROVAN 2.5L/LEON/TOLEDO)



VK

JETTA/GOLF A2/A3 1.8L/2.0L 1987-1998

| | |
|----------|---------------------|
| CODIGO | AGNV0100 |
| EQUIV 1: | FGI-28/GG-251/G3829 |
| OEM: | 251-201-511A |

| | |
|----------|--|
| EQUIV 2: | |
|----------|--|



FILTRO DE GASOLINA FUEL INYECCION (SEDAN/COMBI/
FIESTA 1.6L 11-12)



VK

POINTER 1.8L 1998-2009

| | |
|----------|----------------------|
| CODIGO | AGNV0200 |
| EQUIV 1: | FGI-136/GG-252/G5738 |
| OEM: | 5X0-020-151 |

| | |
|----------|--|
| EQUIV 2: | |
|----------|--|



FILTRO DE GASOLINA METALICO (POINTER GTI 2.0L/LUPO/
CROSSFOX/PICK-UP)

PORTA FILTRO DE AIRE



| | |
|-----------------------------|-----------------|
| CV | |
| SPARK 1.2L 2011-2017 | |
| CODIGO | APNC0800 |
| EQUIV 1: | |
| OEM: | 96827722 |
| EQUIV 2: | |

PORTA FILTRO AIRE (BEAT 1.2L 18-21)



| | |
|-----------------------------|-----------------|
| TY | |
| HIACE 2.7L 2005-2019 | |
| CODIGO | APNT0400 |
| EQUIV 1: | |
| OEM: | 17700-75460/61 |
| EQUIV 2: | |

PORTA FILTRO AIRE (CILINDRICO)



| | |
|-----------------------------|-------------------|
| TY | |
| HIACE 2.7L 2011-2013 | |
| CODIGO | APNT0410 |
| EQUIV 1: | |
| OEM: | 17700-75550/51/52 |
| EQUIV 2: | |

PORTA FILTRO AIRE (RECTANGULAR)



| | |
|----------------------------------|-----------------|
| TY | |
| HIACE 2.8L/3.5L 2020-2024 | |
| CODIGO | APNT0420 |
| EQUIV 1: | |
| OEM: | 17700-31B80 |
| EQUIV 2: | |

PORTA FILTRO AIRE

BOBINA DE IGNICION



| | |
|-----------------------------|------------------|
| CV | |
| CHEVY 1.4L 1994-2000 | |
| CODIGO | EBNC0100 |
| EQUIV 1: | IC-40/C-961=DR44 |
| OEM: | 1103905 |
| EQUIV 2: | |

BOBINA IGNICION CUADRADA 4PIN (CAVALIER 2.0L 92-93/
CHEVY PICK-UP 1999)



| | |
|-----------------------------|-----------------|
| CV | |
| CHEVY 1.6L 2001-2003 | |
| CODIGO | EBNC0110 |
| EQUIV 1: | IC-42 |
| OEM: | 1208051 |
| EQUIV 2: | |

BOBINA IGNICION REDONDO 4PIN (OPTRA 06-10/CHEVY
PICK-UP 00-04)





| | |
|-----------------------------|-----------------|
| CV | |
| CHEVY 1.6L 2001-2012 | |
| CODIGO | EBNC0120 |
| EQUIV 1: | IC-45/ZS025 |
| OEM: | 93363483 |
| EQUIV 2: | |

BOBINA IGNICION 3PIN (C-2/C-3/MATIZ G2/CORSA/SPARK/BEAT/MERIVA/TORNADO 04-11)



| | |
|------------------------------------|-----------------|
| FD | |
| FIESTA FIRST 1.6L 2003-2010 | |
| CODIGO | EBNF0200 |
| EQUIV 1: | IC-25/ZS350 |
| OEM: | 988F-12029AC |
| EQUIV 2: | |

BOBINA IGNICION 3PIN (FIESTA 98-10/IKON/KA/ECOSPORT/RANGER 2.3L/ESCAPE 2.5L)



| | |
|-------------------------------|-----------------|
| NS | |
| PLATINA 1.6L 2002-2010 | |
| CODIGO | EBNN0300 |
| EQUIV 1: | IC-117/ZS052 |
| OEM: | 22448-00QAH |
| EQUIV 2: | MEGANE/SCENIC |

BOBINA IGNICION 2PIN (APRIO/CLIO 1.6L-2.0L/DUSTER/SANDERO-STEPWAY/LOGAN/KANGOO)



| | |
|-----------------------------------|-----------------|
| NS | |
| SENTRA B-15 1.8L 2001-2002 | |
| CODIGO | EBNN1300 |
| EQUIV 1: | IC-124/C-1334 |
| OEM: | 22448-4M500 |
| EQUIV 2: | |

BOBINA IGNICION 3PIN



| | |
|-----------------------------------|-----------------|
| NS | |
| SENTRA B-15 1.8L 2001-2006 | |
| CODIGO | EBNN1310 |
| EQUIV 1: | IC-118 |
| OEM: | 22448-6N015 |
| EQUIV 2: | |

BOBINA IGNICION 3PIN (ALMERA 1.8L 01-06/SCALA 1.6L 10-13)



| | |
|----------------------------------|-----------------|
| NS | |
| TIIDA 1.6L/1.8L 2006-2017 | |
| CODIGO | EBNN1100 |
| EQUIV 1: | IC-1128/C-1397 |
| OEM: | 22448-ED800 |
| EQUIV 2: | |

BOBINA IGNICION 3PIN (SENTRA B-16 2.0L/MICRA 1.6L/FLUENCE 2.0L 11-17)



| | |
|------------------------------|-----------------|
| NS | |
| TS-III 1.6L 1995-2017 | |
| CODIGO | EBNN0110 |
| EQUIV 1: | IC-116 |
| OEM: | 22433-F4302 |
| EQUIV 2: | TSUBAME |

BOBINA IGNICION 2PIN INTERNA 16VAL (D-21 94-07/NP-300 08-15/B-14/FRONTIER 2.4L)



| | |
|-----------------------------|------------------------|
| NS | |
| VERSA 1.6L 2012-2024 | |
| CODIGO | EBNN0900 |
| EQUIV 1: | IC-1133-1102 |
| OEM: | 22448-EA000/1HCOA |
| EQUIV 2: | ROGUE/NOTE/CUBE/KOLEOS |

BOBINA IGNICION 3PIN (V-DRIVE/MARCH/NV-350/B-16/KICKS/FRONTIER/X-TRAIL/ALTIMA)



BOBINA DE IGNICION



| | |
|------------------------------|-----------------|
| PG | |
| PG-206 1.6L 1999-2009 | |
| CODIGO | EBNP0110 |
| EQUIV 1: | IC-732/ZS241 |
| OEM: | 597080 |
| EQUIV 2: | |

BOBINA IGNICION 4PIN (PARTNER 1.6L 04-10/PG-207 1.6L 08-12/GRAND RAID 07-12)



| | |
|-----------------------------|------------------|
| TY | |
| HIACE 2.7L 2005-2019 | |
| CODIGO | EBNT0400 |
| EQUIV 1: | IC-506 |
| OEM: | 90919-02248 |
| EQUIV 2: | MATRIX 1.8L-2.4L |

BOBINA IGNICION 4PIN HILUX 2.7L/CAMRY 2.4L/COROLLA 1.8L/RAV-4 06-12/TACOMA 05-15



| | |
|--------------------------------------|-----------------|
| VK | |
| BORA 1.9L/2.0L/2.5L 2006-2010 | |
| CODIGO | EBNV0400 |
| EQUIV 1: | IC-57/ZSE033 |
| OEM: | 07K-905-715F |
| EQUIV 2: | |

BOBINA IGNICION 4PIN (JT CLASICO/GF A4/GF A6 GTI/PAS-SAT/TOUAREG 4.2L/LEON 2.0L)



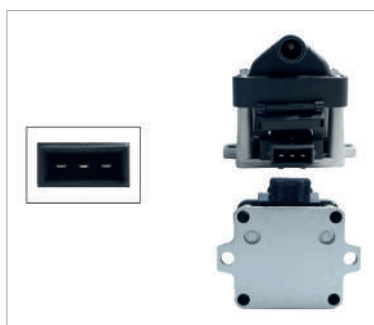
| | |
|--------------------------------------|-----------------|
| VK | |
| JETTA A4 1.8L TURBO 1999-2007 | |
| CODIGO | EBNV0100 |
| EQUIV 1: | IC-53 |
| OEM: | 06B-905-115L |
| EQUIV 2: | |

BOBINA IGNICION 4PIN T/PENCIL (BEETLE-GOLF A4 TURBO/DERBY 1.8L/TT 1.8L)



| | |
|--|--------------------|
| VK | |
| JETTA A4/CLASICO 2.0L 1999-2015 | |
| CODIGO | EBNV0110 |
| EQUIV 1: | IC-52/ZSE003 |
| OEM: | 032-905-106B |
| EQUIV 2: | IBIZA-TOLEDO 13-17 |

BOBINA IGNICION 4PIN (GOL 1.6L/SAVEIRO/BEETLE 2.0L/GOLF A4/POLO/LUPO/CROSSFOX)



| | |
|-------------------------------------|-----------------|
| VK | |
| JETTA/GOLF A3 1.8L 1993-1998 | |
| CODIGO | EBNV0120 |
| EQUIV 1: | IC-36/ZSE001 |
| OEM: | 6N0-905-104A |
| EQUIV 2: | |

BOBINA IGNICION 3PIN T/TEMIC (EUROVAN 2.5L/DERBY 2.0L/SEDAN 1.6L)



| | |
|-------------------------------|-----------------|
| VK | |
| POINTER 1.8L 2004-2009 | |
| CODIGO | EBNV0210 |
| EQUIV 1: | IC-360 |
| OEM: | 032-905-106D |
| EQUIV 2: | |

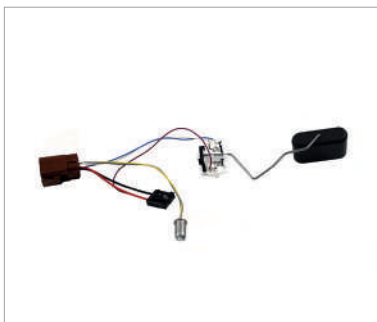
BOBINA IGNICION 3PIN (PICK-UP 04-09/DERBY 1.8L 07-09/DERBY VAN 1.8L 07-09)



| | |
|---------------------------------|-----------------|
| VK | |
| VENTO 1.6L GAS 2014-2022 | |
| CODIGO | EBNV0700 |
| EQUIV 1: | IC-364 |
| OEM: | 036-905-715G |
| EQUIV 2: | |

BOBINA IGNICION 4PIN (POLO 13-19/IBIZA 10-17/TIGUAN/LEON/ALTEA/AD A1-A3)





| | |
|----------------------------|-----------------|
| CV | |
| AVEO 1.6L 2007-2017 | |
| CODIGO | EFNC9900 |
| EQUIV 1: | |
| OEM: | 96830563 |
| EQUIV 2: | |

FLOTADOR DE GASOLINA LXT/LXV F16D3 (OPTRA 2.0L 06-10/PT G3 06-09)



| | |
|-------------------------------------|-----------------|
| CV | |
| CHEVY C-2/C-3 1.6L 2001-2012 | |
| CODIGO | EFNC0100 |
| EQUIV 1: | |
| OEM: | 94670141 |
| EQUIV 2: | |

FLOTADOR DE GASOLINA C16N2/C16NE (MONZA 1.6L)



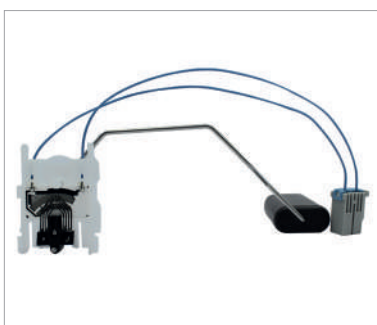
| | |
|-----------------------------|-----------------|
| CV | |
| CORSA 1.8L 2003-2008 | |
| CODIGO | EFNC0200 |
| EQUIV 1: | |
| OEM: | 93328253 |
| EQUIV 2: | |

FLOTADOR DE GASOLINA C18NZ (TORNADO 04-11/MERIVA 04-08)



| | |
|--------------------------------|-----------------|
| CV | |
| MATIZ G2 1.0L 2006-2015 | |
| CODIGO | EFNG0100 |
| EQUIV 1: | |
| OEM: | 96870485 |
| EQUIV 2: | |

FLOTADOR DE GASOLINA S-TEC



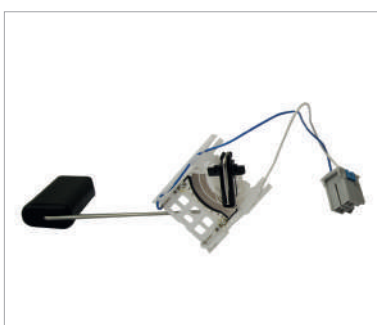
| | |
|---------------------------------|-----------------|
| CV | |
| ONIX 1.0L/1.2L 2020-2024 | |
| CODIGO | EFNC0500 |
| EQUIV 1: | |
| OEM: | 26232275 |
| EQUIV 2: | |

FLOTADOR DE GASOLINA L4F/L4H



| | |
|-----------------------------|-----------------|
| CV | |
| SPARK 1.2L 2011-2017 | |
| CODIGO | EFNC0800 |
| EQUIV 1: | |
| OEM: | 13592605 |
| EQUIV 2: | |

FLOTADOR DE GASOLINA SMARTECH II (BEAT 1.2L 18-21)



| | |
|--------------------------------|-----------------|
| CV | |
| SPARK NG 1.4L 2016-2021 | |
| CODIGO | EFNC0810 |
| EQUIV 1: | |
| OEM: | 13597279 |
| EQUIV 2: | |

FLOTADOR DE GASOLINA LV7 (NUEVA LINEA)



| | |
|---------------------------------|-----------------|
| OG | |
| ATOS 1.0L/1.1L 2000-2012 | |
| CODIGO | EFNK0100 |
| EQUIV 1: | |
| OEM: | 94460-05000 |
| EQUIV 2: | |

FLOTADOR DE GASOLINA G4HC/G4HG





DG

ATTITUDE 1.2L 2015-2024

| | |
|----------|-----------------|
| CODIGO | EFNK1100 |
| EQUIV 1: | |
| OEM: | 1718A159 |
| EQUIV 2: | |

FLOTADOR DE GASOLINA 3A92 MIVEC (MT MIRAGE G4 19-24)

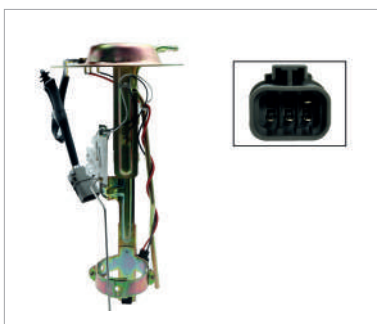


DG

ATTITUDE 1.4L/1.6L 2006-2011

| | |
|----------|-----------------|
| CODIGO | EFNK1110 |
| EQUIV 1: | |
| OEM: | 94460-1G000 |
| EQUIV 2: | |

FLOTADOR DE GASOLINA G4EE/G4ED/ALPHA II



NS

D-21 2/4WD 2.4L 1994-2007

| | |
|----------|-----------------|
| CODIGO | EFRN0200 |
| EQUIV 1: | |
| OEM: | 25060-24G26 |
| EQUIV 2: | |

FLOTADOR DE GASOLINA



NS

FRONTIER 2.4L/3.3L 1998-2004

| | |
|----------|-----------------|
| CODIGO | EFNN2700 |
| EQUIV 1: | |
| OEM: | 25060-4S426 |
| EQUIV 2: | |

FLOTADOR DE GASOLINA KA24DE/VG33E (X-TERRA 98-04)



NS

NP-300 (D-22) 2WD 2.4L 2008-2015

| | |
|----------|-----------------|
| CODIGO | EFNN0700 |
| EQUIV 1: | |
| OEM: | 17040-VJ200 |
| EQUIV 2: | |

FLOTADOR DE GASOLINA KA24DE (GASOLINA)



NS

NP-300 FRONTIER (D-23) 2016-2024

| | |
|----------|-----------------|
| CODIGO | EFNN0710 |
| EQUIV 1: | |
| OEM: | 25060-4KJ0C |
| EQUIV 2: | |

FLOTADOR DE GASOLINA (2.5L GASOLINA) (SENCILLA/DOUBLE CABINA)



NS

NV-350 2.5L GAS 2013-2022

| | |
|----------|-----------------|
| CODIGO | EFNN0420 |
| EQUIV 1: | |
| OEM: | 25060-3XA0B |
| EQUIV 2: | |

FLOTADOR DE GASOLINA QR25



NS

PLATINA 1.6L 2002-2010

| | |
|----------|-----------------|
| CODIGO | EFNN0300 |
| EQUIV 1: | |
| OEM: | 25060-6822R |
| EQUIV 2: | |

FLOTADOR DE GASOLINA 16VAL K4M (CLIO 02-10/SANDE-RO-STEPWAY 10-15)



FLOTADOR DE GASOLINA



NS

SENTRA B-15 1.8L/2.0L 2001-2006

| | |
|----------|-----------------|
| CODIGO | EFNN1300 |
| EQUIV 1: | |
| OEM: | 25060-8U000 |

| | |
|----------|--|
| EQUIV 2: | |
|----------|--|

FLOTADOR DE GASOLINA QG18DE



NS

TIIDA 1.6L/1.8L 2006-2017

| | |
|----------|-----------------|
| CODIGO | EFNN1100 |
| EQUIV 1: | |
| OEM: | 25060-ED800 |

| | |
|----------|--|
| EQUIV 2: | |
|----------|--|

FLOTADOR DE GASOLINA MR18DE (APRIO 1.6L 08-10)



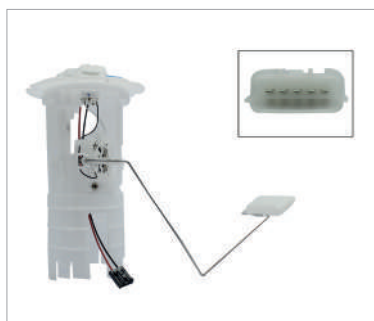
NS

TS-III 1.6L 1992-2017

| | |
|----------|-----------------|
| CODIGO | EFNN0100 |
| EQUIV 1: | |
| OEM: | 25060-F4200 |

| | |
|----------|--|
| EQUIV 2: | |
|----------|--|

FLOTADOR DE GASOLINA C/LIGA 8/16VAL GA16DE/GA16D-NE



NS

URVAN 2.4L 2002-2006

| | |
|----------|-----------------|
| CODIGO | EFNN0400 |
| EQUIV 1: | |
| OEM: | 25060-VW000 |

| | |
|----------|--|
| EQUIV 2: | |
|----------|--|

FLOTADOR DE GASOLINA KA24DE



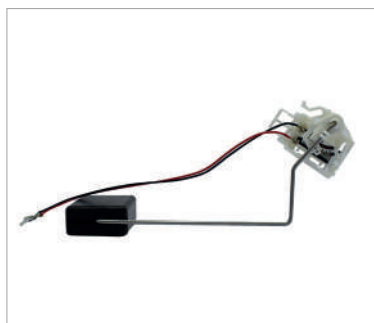
NS

URVAN 2.5L 2007-2012

| | |
|----------|-----------------|
| CODIGO | EFNN0410 |
| EQUIV 1: | |
| OEM: | 25060-VW200 |

| | |
|----------|--|
| EQUIV 2: | |
|----------|--|

FLOTADOR DE GASOLINA QR25DE



NS

VERSA 1.6L 2012-2014

| | |
|----------|-----------------|
| CODIGO | EFNN0900 |
| EQUIV 1: | |
| OEM: | 25060-1HK0A |

| | |
|----------|--|
| EQUIV 2: | |
|----------|--|

FLOTADOR DE GASOLINA HR16DE (MARCH 11-13)



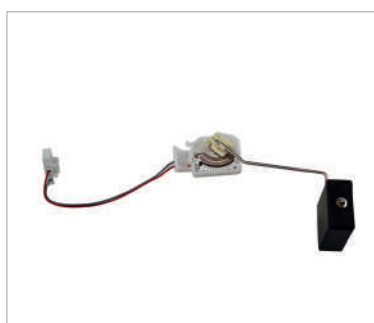
NS

VERSA 1.6L 2015-2024

| | |
|----------|-----------------|
| CODIGO | EFNN0910 |
| EQUIV 1: | |
| OEM: | 25060-5RB0A |

| | |
|----------|--|
| EQUIV 2: | |
|----------|--|

FLOTADOR DE GASOLINA HR16DE (V-DRIVE/MARCH 14-24/ KICKS 17-24)



TY

HIACE 2.7L 2005-2017

| | |
|----------|-----------------|
| CODIGO | EFNT0400 |
| EQUIV 1: | |
| OEM: | 83320-26430 |

| | |
|----------|--|
| EQUIV 2: | |
|----------|--|

FLOTADOR DE GASOLINA 2TRFE



FLOTADOR DE GASOLINA



VK

JETTA A4/CLASICO 1.8L/2.0L 1999-2015

| | |
|----------|-----------------|
| CODIGO | EFNV0100 |
| EQUIV 1: | |
| OEM: | 1K0-919-673AF |
| EQUIV 2: | |

FLOTADOR DE GASOLINA 8VAL BBX (BEETLE/GOLF A4/IBI-ZA-CORDOBA 1.6L)



VK

POINTER 1.8L 1998-2009

| | |
|----------|-----------------|
| CODIGO | EFNV0200 |
| EQUIV 1: | |
| OEM: | 5U0-919-052A |
| EQUIV 2: | |

FLOTADOR DE GASOLINA 8VAL AEG/AVH/AZG



SENSOR DE TEMPERATURA Y OXIGENO CUERPO DE ACELERACIÓN /MODULO DE ENCENDIDO



CV

CHEVY 1.4L/1.6L 1994-2012

| | |
|----------|-----------------|
| CODIGO | EWNC0100 |
| EQUIV 1: | |
| OEM: | 171-955-651 |
| EQUIV 2: | |

MOTOR DEPOSITO LIMPIADORES (C-2/C-3/JETTA-GOLF A2 87-92)



CV

MATIZ G2 1.0L 2006-2015

| | |
|----------|-----------------|
| CODIGO | EANG0100 |
| EQUIV 1: | |
| OEM: | 96439960 |
| EQUIV 2: | |

CUERPO DE ACELERACION (SPARK 1.2L 11-12)

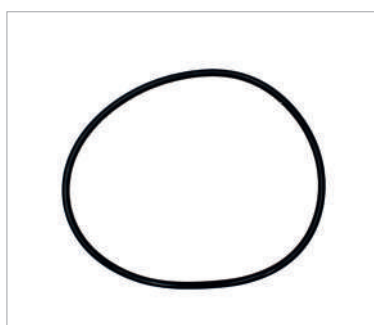


CV

SPARK 1.2L 2013-2017

| | |
|----------|-----------------|
| CODIGO | EANC0800 |
| EQUIV 1: | |
| OEM: | 96966710 |
| EQUIV 2: | |

CUERPO DE ACELERACION (BEAT 1.2L 18-21)



NS

TS-III 1.6L 1992-2017

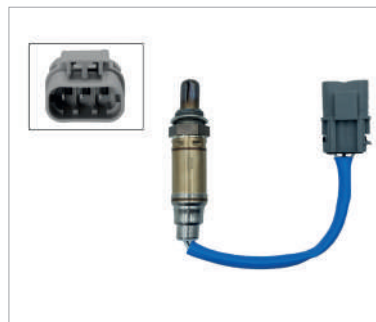
| | |
|----------|-----------------|
| CODIGO | ELNN0100 |
| EQUIV 1: | |
| OEM: | 17341-01A00 |
| EQUIV 2: | |

LIGA FLOTADOR DE GASOLINA



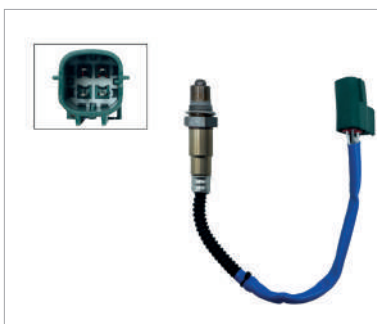
| | |
|------------------------------|-----------------|
| NS | |
| TS-III 1.6L 1995-2017 | |
| CODIGO | ESNN0130 |
| EQUIV 1: | 12053 |
| OEM: | 22630-44B20 |
| EQUIV 2: | |

SENSOR TEMPERATURA AZUL 16VAL (TIIDA/VERSA/MAR-CH/B-17/TSUBAME/X-TRAIL/ALTIMA)



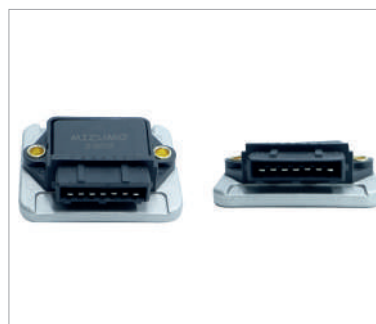
| | |
|------------------------------|-----------------|
| NS | |
| TS-III 1.6L 2003-2008 | |
| CODIGO | ESNN0110 |
| EQUIV 1: | |
| OEM: | 22690-5E401 |
| EQUIV 2: | |

SENSOR DE OXIGENO 3CABLES (D-21 97-04)



| | |
|------------------------------|-----------------|
| NS | |
| TS-III 1.6L 2009-2017 | |
| CODIGO | ESNN0120 |
| EQUIV 1: | |
| OEM: | 22690-F420A |
| EQUIV 2: | |

SENSOR DE OXIGENO 4CABLES (D-21 97-04/B-15/FRONTIER/ALTIMA/PATHFINDER/X-TERRA)



| | |
|-------------------------------------|-----------------|
| VK | |
| JETTA/GOLF A2 1.8L 1987-1992 | |
| CODIGO | EONV0100 |
| EQUIV 1: | |
| OEM: | 191-905-351B |
| EQUIV 2: | |

MODULO ENCENDIDO ELECTRONICO 7 PIN (SEDAN 96-04/ CARIBE 87-88)





| | |
|----------------------------|----------------------|
| CV | |
| AVEO 1.6L 2007-2017 | |
| CODIGO | JARC9900 |
| EQUIV 1: | CJ-11239/OSX-6040075 |
| OEM: | 90409693 |
| EQUIV 2: | |

JUNTA CARTER 16VAL LXT/LXV F16D3 (PT G3 06-09)

SUPERSEAL



| | |
|----------------------------------|----------------------|
| CV | |
| CHEVY 1.4L/1.6L 1994-2012 | |
| CODIGO | JARC0100 |
| EQUIV 1: | CJ-11213/OSX-6040030 |
| OEM: | 93335433 |
| EQUIV 2: | |

JUNTA CARTER 8VAL C14NZ/C16N2/C16NE (C-2/C-3/CORSA 1.4L-1.8L/TORNADO 04-11)

SUPERSEAL



| | |
|------------------------------------|----------------------|
| FD | |
| FIESTA FIRST 1.6L 2003-2010 | |
| CODIGO | JARF0200 |
| EQUIV 1: | CJ-11523/OSX-2640017 |
| OEM: | XS6E-6710AB |
| EQUIV 2: | |

JUNTA CARTER 8VAL ZETEC-ROCAM (IKON 98-10/KA 01-08/ COURIER 01-10)

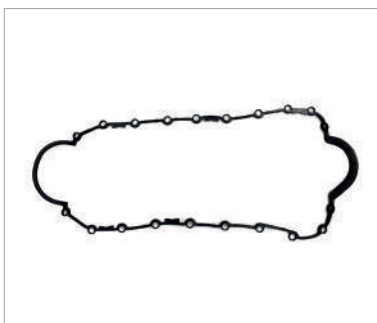
SUPERSEAL



| | |
|----------------------------------|--------------------|
| NS | |
| D-21 2/4WD 2.4L 1994-2007 | |
| CODIGO | JARN0200 |
| EQUIV 1: | CJ-120/OSX-5840301 |
| OEM: | 11121-40F00 |
| EQUIV 2: | |

JUNTA CARTER 12VAL K24E (ICHIVAN 88-94)

SUPERSEAL



| | |
|-------------------------------|---------------------|
| NS | |
| PLATINA 1.6L 2002-2010 | |
| CODIGO | JARN0300 |
| EQUIV 1: | CJ-1201/OSX-6540109 |
| OEM: | 11121-00QAF |
| EQUIV 2: | |

JUNTA CARTER 16VAL K4M (APRIO/CLIO 1.6L/KANGOO)

SUPERSEAL



| | |
|------------------------------|--------------------|
| NS | |
| TS-III 1.6L 1992-2017 | |
| CODIGO | JARN0100 |
| EQUIV 1: | CJ-121/OSX-5840172 |
| OEM: | 11121-57Y00 |
| EQUIV 2: | |

JUNTA CARTER GA16DE 8VAL/16VAL GA16DE/GA16DNE (SENTRA B-14)

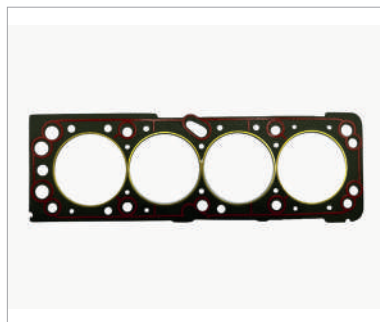
SUPERSEAL



| | |
|-------------------------------|--------------------|
| VK | |
| POINTER 1.8L 1998-2009 | |
| CODIGO | JARV0200 |
| EQUIV 1: | CJ-192/OSX-8640130 |
| OEM: | 026-103-609B |
| EQUIV 2: | |

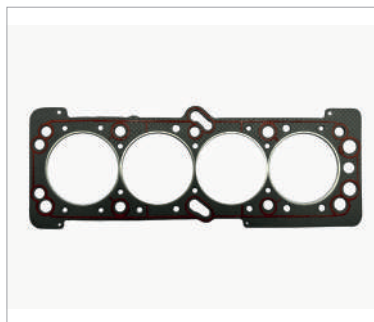
JUNTA CARTER 8VAL VIN EN/AEG/AVH/AZG (JETTA-GOLF A2-A3/CARIBE GT/COMBI/CORSAR)

SUPERSEAL



| | |
|----------------------------|------------------------|
| CV | |
| AVEO 1.6L 2007-2010 | |
| CODIGO | JCSC9910 |
| EQUIV 1: | CA-1239/HGX-6040036-SB |
| OEM: | 96378802 |
| EQUIV 2: | |

JUNTA CABEZA GRAFITADA C/SILICONA 16VAL LXT (1GOTA)
(PT G3 06-09) (EMP/5PZS)



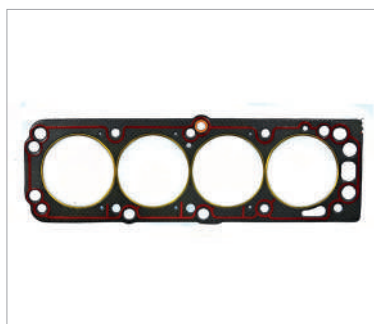
| | |
|----------------------------|--------------------------|
| CV | |
| AVEO 1.6L 2007-2017 | |
| CODIGO | JCSC9900 |
| EQUIV 1: | CA-1239-1/HGX-1640045-NR |
| OEM: | 96963220 |
| EQUIV 2: | |

JUNTA CABEZA GRAFITADA C/SILICONA 16VAL LXV F16D3
(2GOTA) (EMP/5PZS)



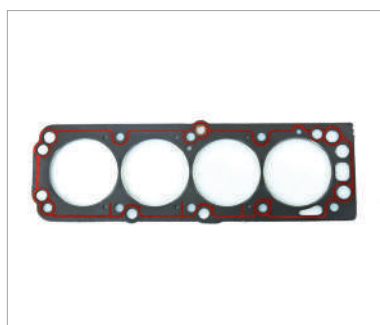
| | |
|-----------------------------|------------------------|
| CV | |
| CHEVY 1.4L 1994-2000 | |
| CODIGO | JCRC0100 |
| EQUIV 1: | CA-1213/HGX-6040030-SB |
| OEM: | 96391434 |
| EQUIV 2: | |

JUNTA CABEZA GRAFITADA C/SILICONA 8VAL C14NZ
(EMP/5PZS)



| | |
|-------------------------------------|------------------------|
| CV | |
| CHEVY C-2/C-3 1.6L 2001-2012 | |
| CODIGO | JCRC0110 |
| EQUIV 1: | CA-1215/HGX-1640020-SB |
| OEM: | 96181216 |
| EQUIV 2: | |

JUNTA CABEZA GRAFITADA C/SILICONA 8VAL C16N2/C16NE
(EMP/5PZS)



| | |
|----------------------------------|------------------------|
| CV | |
| CORSA 1.4L/1.8L 2003-2008 | |
| CODIGO | JCRC0200 |
| EQUIV 1: | CA-1225/HGX-6040126-SB |
| OEM: | 96181216 |
| EQUIV 2: | |

JUNTA CABEZA GRAFITADA C/SILICONA 8VAL C18NZ (TOR-
NADO 04-11)



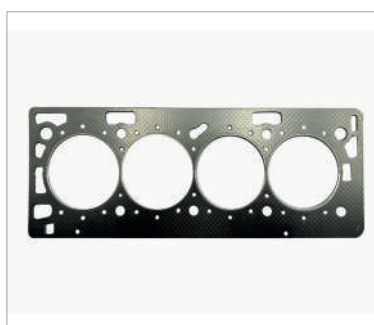
| | |
|-----------------------------------|------------------------|
| CV | |
| MATIZ G1/G2 1.0L 2003-2015 | |
| CODIGO | JCSG0100 |
| EQUIV 1: | CA-1234/HGX-1640010-SB |
| OEM: | 96325170 |
| EQUIV 2: | |

JUNTA CABEZA GRAFITADA C/SILICONA 8VAL S-TEC (EM-
P/5PZS)



| | |
|-----------------------------|------------------------|
| CV | |
| OPTRA 2.0L 2006-2010 | |
| CODIGO | JCSC1700 |
| EQUIV 1: | CA-1204/HGX-6040160-GF |
| OEM: | 93363560 |
| EQUIV 2: | |

JUNTA CABEZA GRAFITADA C/SIL 4CIL 16VAL X20SE (ASTRA
2.0L-2.4L 04-06) (EMP/5PZS)



| | |
|-----------------------------|-----------------|
| CV | |
| SONIC 1.6L 2012-2018 | |
| CODIGO | JCSC0900 |
| EQUIV 1: | CA-1238 |
| OEM: | 55355578 |
| EQUIV 2: | |

JUNTA CABEZA GRAFITADA C/SILICONA 16VAL LDE (CRUZE-
TRAX 1.8L LUW-A18XER)





CV

SPARK 1.2L 2011-2017

| | |
|----------|------------------------|
| CODIGO | JCSC0800 |
| EQUIV 1: | CA-1209/HGX-8940010-SB |
| OEM: | 25184663 |

| | |
|----------|--|
| EQUIV 2: | |
|----------|--|

JUNTA CABEZA GRAFITADA C/SIL 16VAL SMARTECH II (BEAT 1.2L 18-21) (EMP/5PZS)



DG

ATOS 1.1L 2004-2005

| | |
|----------|-----------------|
| CODIGO | JCSK0110 |
| EQUIV 1: | CA-111-1 |
| OEM: | 22311-02800 |

| | |
|----------|--|
| EQUIV 2: | |
|----------|--|

JUNTA CABEZA GRAFITADA C/SILICONA 12VAL G4HG (EM-P/5PZS)



DG

ATOS 1.1L 2006-2012

| | |
|----------|--------------------------|
| CODIGO | JCRK0121 |
| EQUIV 1: | CA-111-2/HGX-3640011-MLO |
| OEM: | 22311-02760 |

| | |
|----------|--|
| EQUIV 2: | |
|----------|--|

JUNTA CABEZA LAMINA/GRAFITADA 12VAL G4HG

SUPERSEAL



DG

ATOS 1.1L 2006-2012

| | |
|----------|-----------------|
| CODIGO | JCSK0120 |
| EQUIV 1: | CA-111-2 |
| OEM: | 22311-02760 |

| | |
|----------|--|
| EQUIV 2: | |
|----------|--|

JUNTA CABEZA GRAFITADA C/SILICONA 12VAL G4HG (EM-P/5PZS)



DG

ATTITUDE 1.2L 2015-2024

| | |
|----------|-----------------|
| CODIGO | JCRK1110 |
| EQUIV 1: | CA-1615 |
| OEM: | MN195371 |

| | |
|----------|--|
| EQUIV 2: | |
|----------|--|

JUNTA CABEZA GRAFITADA C/SILICONA 3CIL 12VAL 3A92 MIVEC (MT MIRAGE-G4 15-24)

SUPERSEAL



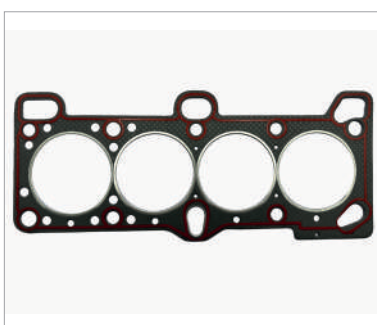
DG

ATTITUDE 1.4L 2006-2011

| | |
|----------|-----------------|
| CODIGO | JCSK1101 |
| EQUIV 1: | CA-114 |
| OEM: | 22311-26003 |

| | |
|----------|--|
| EQUIV 2: | |
|----------|--|

JUNTA CABEZA GRAFITADA C/SILICONA 4CIL 16VAL G4EE (EMP/5PZS)



DG

ATTITUDE 1.6L 2006-2011

| | |
|----------|-----------------------|
| CODIGO | JCSK1111 |
| EQUIV 1: | CA-116/HGX-3640070-SB |
| OEM: | 22311-26603 |

| | |
|----------|--|
| EQUIV 2: | |
|----------|--|

JUNTA CABEZA GRAFITADA C/SILICONA 4CIL 16VAL G4ED (EMP/5PZS)



DG

ATTITUDE 1.6L 2012-2014

| | |
|----------|------------------------|
| CODIGO | JCSK1120 |
| EQUIV 1: | CA-451/HGX-3640061-MLO |
| OEM: | 22311-2B001 |

| | |
|----------|--|
| EQUIV 2: | |
|----------|--|

JUNTA CABEZA GRAFITADA C/SIL 16VAL G4FC/G4FD (RIO 16-23/ACCENT 18-22/SOUL 16-19)

SUPERSEAL



DG

H-100 2.5L 2006-2012

| | |
|----------|------------------------|
| CODIGO | JCRK1410 |
| EQUIV 1: | CA-1415/HGX-5540330-SB |
| OEM: | 22311-42A00 |

| | |
|----------|--|
| EQUIV 2: | |
|----------|--|

PRÓXIMAMENTE

JUNTA CABEZA GRAFITADA C/SIL 8VAL D4BH/4D56T (DIESEL) (L200 2.5L) EMP/5PZS



DG

I-10 1.1L 2011-2014

| | |
|----------|-----------------------|
| CODIGO | JCSK0800 |
| EQUIV 1: | CA-120/HGX-3640015-SB |
| OEM: | 22311-02780 |

| | |
|----------|--|
| EQUIV 2: | |
|----------|--|

PRÓXIMAMENTE

JUNTA CABEZA GRAFITADA C/SILICONA 12VAL G4HG (EMP/5PZS)



DG

JOURNEY 2.4L 2009-2020

| | |
|----------|-------------------------|
| CODIGO | JCRK8100 |
| EQUIV 1: | CA-1407/HGX-1140070-MLO |
| OEM: | 5189976AB |

| | |
|----------|--|
| EQUIV 2: | |
|----------|--|

PRÓXIMAMENTE

JUNTA CABEZA GRAFITADA C/SIL 16VAL GEMA (PATRIOT-COMPASS-AVenger 2.4L)

SUPERSEAL



DG

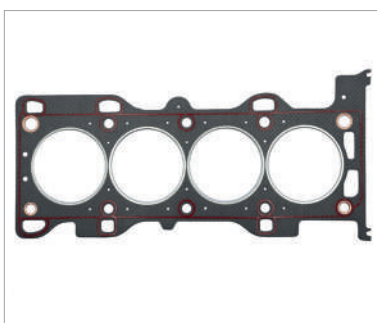
VERNA 1.5L 2004-2006

| | |
|----------|-----------------------|
| CODIGO | JCRK2500 |
| EQUIV 1: | CA-112/HGX-3640050-SB |
| OEM: | 22311-22120 |

| | |
|----------|--|
| EQUIV 2: | |
|----------|--|

JUNTA CABEZA GRAFITADA C/SILICONA 12VAL G4EK

SUPERSEAL



FD

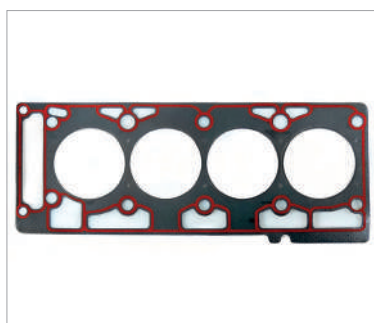
ECOSPORT 2.0L 2004-2012

| | |
|----------|------------------------|
| CODIGO | JCRF1000 |
| EQUIV 1: | CA-1511/HGX-5340215-NR |
| OEM: | 1S7G-6051AH |

| | |
|----------|------------------------|
| EQUIV 2: | FOCUS 2.3L/MONDEO 2.3L |
|----------|------------------------|

JUNTA CABEZA GRAFITADA C/SILICONA 16VAL DURATEC-HE (RANGER 2.3L 01-12)

SUPERSEAL



FD

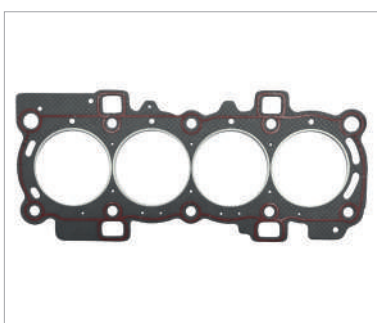
FIESTA FIRST 1.6L 2003-2010

| | |
|----------|------------------------|
| CODIGO | JCRF0200 |
| EQUIV 1: | CA-1523/HGX-2640017-SB |
| OEM: | XS6E-6051BF |

| | |
|----------|--|
| EQUIV 2: | |
|----------|--|

JUNTA CABEZA GRAFITADA C/SILICONA 8VAL ZETEC-ROCAM (IKON 98-10/KA/COURIER 01-10)

SUPERSEAL



FD

FIGO 1.5L 2016-2022

| | |
|----------|-----------------|
| CODIGO | JCRF0701 |
| EQUIV 1: | HGX-2640011-NR |
| OEM: | 7S7G-6051XBG |

| | |
|----------|------------------------|
| EQUIV 2: | FIESTA IKON 1.6L 11-15 |
|----------|------------------------|

JUNTA CABEZA GRAFITADA C/SIL 16VAL ZETEC-TIVCT (FIESTA 1.6L 11-19/ECOSPORT 1.5L)

SUPERSEAL



HD

CITY 1.5L 2010-2020

| | |
|----------|-----------------|
| CODIGO | JCRH0500 |
| EQUIV 1: | CA-58 |
| OEM: | 12251-RB0-004 |

| | |
|----------|--|
| EQUIV 2: | |
|----------|--|

JUNTA CABEZA GRAFITADA C/SILICONA 16VAL L15A7 (FIT 09-20/BR-V 18-24)

SUPERSEAL



HD

CR-V 2.4L 2007-2011

| | |
|----------|-----------------------|
| CODIGO | JCRH0310 |
| EQUIV 1: | CA-54/HGX-3540210-MLO |
| OEM: | 12251-RBB-004 |

| | |
|----------|--|
| EQUIV 2: | |
|----------|--|

JUNTA CABEZA GRAFITADA C/SILICONA 16VAL K24Z1/
K24Z2/K24Z3 (ACCORD 08-12)

SUPERSEAL



HD

CR-V 2.4L 2012-2016

| | |
|----------|-----------------|
| CODIGO | JCRH0300 |
| EQUIV 1: | CA-503 |
| OEM: | 12251-R40-A01 |

| | |
|----------|--|
| EQUIV 2: | |
|----------|--|

JUNTA CABEZA GRAFITADA C/SIL 16VAL K24Z6/K24Z7/
K24Y2 (CIVIC 12-15/ACCORD 13-15)

SUPERSEAL



HD

HR-V 1.8L 2018-2022

| | |
|----------|-----------------|
| CODIGO | JCRH0600 |
| EQUIV 1: | CA-502 |
| OEM: | 12251-RNA-A01 |

| | |
|----------|--|
| EQUIV 2: | |
|----------|--|

JUNTA CABEZA GRAF C/SIL 16VAL R18A1/R18A2/R18Z9/
R20A5 (CIVIC 1.8L-2.0L 06-15)

SUPERSEAL



HY

GRAND I-10 1.2L 2015-2023

| | |
|----------|-----------------|
| CODIGO | JCSD0301 |
| EQUIV 1: | HGX-3640012-SB |
| OEM: | 22311-03211 |

| | |
|----------|--|
| EQUIV 2: | |
|----------|--|

JUNTA CABEZA GRAFITADA C/SILICONA 16VAL G4LA (EM-
P/5PZS)



MZ

CX-5 2.5L 2013-2023

| | |
|----------|-----------------|
| CODIGO | JCRZ0200 |
| EQUIV 1: | CA-608 |
| OEM: | PY01-10271 |

| | |
|----------|------------------------|
| EQUIV 2: | CX-9 16-23/CX-30 20-24 |
|----------|------------------------|

JUNTA CABEZA GRAFITADA C/SIL 16VAL PEY6/PEY7/PY1
(MZ 3 14-24/MZ 6 14-21)

SUPERSEAL



MZ

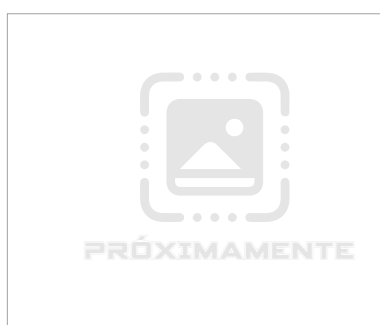
MZ 3 2.0L 2004-2009

| | |
|----------|------------------------|
| CODIGO | JCRZ0100 |
| EQUIV 1: | CA-600/HGX-5340219-MLO |
| OEM: | L309-10271 |

| | |
|----------|--|
| EQUIV 2: | |
|----------|--|

JUNTA CABEZA GRAFITADA C/SILICONA 16VAL MZR

SUPERSEAL



MZ

MZ 3 2.3L 2004-2013

| | |
|----------|-----------------|
| CODIGO | JCRZ0110 |
| EQUIV 1: | CA-606 |
| OEM: | L3K9-10271B |

| | |
|----------|--|
| EQUIV 2: | |
|----------|--|

JUNTA CABEZA GRAFITADA C/SIL 16VAL MZR (MZ 6 2.3L 03-
08/CX-7 2.3L 07-12)

SUPERSEAL



MT

L200 2.4L GAS 2008-2019

| | |
|----------|-----------------|
| CODIGO | JCRS1300 |
| EQUIV 1: | CA-1613 |
| OEM: | MD346925 |

| | |
|----------|--|
| EQUIV 2: | |
|----------|--|

JUNTA CABEZA GRAFITADA C/SILICONA 16VAL 4G64

SUPERSEAL



| | |
|-----------------------------------|-----------------|
| MT | |
| L200 2.5L DIESEL 2008-2019 | |
| CODIGO | JCRS1310 |
| EQUIV 1: | CA-1614 |
| OEM: | |
| EQUIV 2: | |

JUNTA CABEZA GRAFITADA C/SILICONA 16VAL 4D56T

SUPERSEAL



| | |
|------------------------------|-------------------------|
| MT | |
| LANCER 2.0L 2003-2007 | |
| CODIGO | JCRS0500 |
| EQUIV 1: | CA-1600/HGX-5540225-MLO |
| OEM: | MD333279 |
| EQUIV 2: | |

JUNTA CABEZA GRAFITADA C/SILICONA 16VAL 4G94

SUPERSEAL



| | |
|-----------------------------------|-----------------|
| MT | |
| LANCER 2.0L/2.4L 2008-2016 | |
| CODIGO | JCRS0510 |
| EQUIV 1: | CA-1616 |
| OEM: | |
| EQUIV 2: | |

JUNTA CABEZA GRAFITADA C/SILICONA 16VAL 4B11/4B12 (OUTLANDER 08-13/ASX 13-16)

SUPERSEAL



| | |
|---------------------------------|-------------------------|
| MT | |
| OUTLANDER 2.4L 2003-2007 | |
| CODIGO | JCRS0600 |
| EQUIV 1: | CA-1604/HGX-5540376-MLO |
| OEM: | MN163381 |
| EQUIV 2: | |

JUNTA CABEZA GRAFITADA C/SILICONA 16VAL 4G69 (LANCER 03-07/GALANT/ECLIPSE)

SUPERSEAL



| | |
|----------------------------------|----------------------|
| NS | |
| D-21 2/4WD 2.4L 1994-2007 | |
| CODIGO | JCRN0200 |
| EQUIV 1: | CA-20/HGX-5840301-SB |
| OEM: | 11044-40F00 |
| EQUIV 2: | |

JUNTA CABEZA GRAFITADA C/SILICONA 12VAL KA24E (ICHIVAN 88-94) (EMP/5PZS)

SUPERSEAL



| | |
|-----------------------------------|----------------------|
| NS | |
| FRONTIER 3.3L V6 1998-2004 | |
| CODIGO | JCRN2700 |
| EQUIV 1: | CA-32/HGX-5862010-GF |
| OEM: | 11044-7B000 |
| EQUIV 2: | VILLAGER 3.3L 99-03 |

JUNTA CABEZA GRAFITADA C/SILICONA 12VAL VG33E (X-TERRA-QUEST-PATHFINDER 3.3L)

SUPERSEAL



| | |
|-----------------------------------|-------------------------|
| NS | |
| FRONTIER 4.0L V6 2005-2019 | |
| CODIGO | JCRN2701 |
| EQUIV 1: | CA-35-D/HGX-5862030MLO |
| OEM: | 11044-8J102 |
| EQUIV 2: | PATHFINDER-X-TERAA 4.0L |

JUNTA CABEZA DER GRAF C/SIL 24VAL VQ35DE/VQ40DE (ALTIMA-MAXIMA-MURANO-QUEST 3.5L)

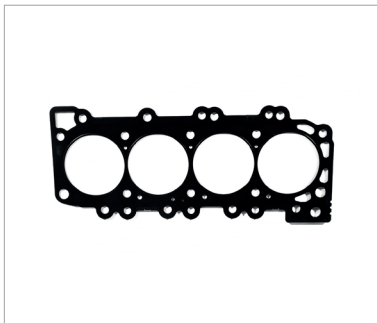
SUPERSEAL



| | |
|-----------------------------------|-------------------------|
| NS | |
| FRONTIER 4.0L V6 2005-2019 | |
| CODIGO | JCRN2702 |
| EQUIV 1: | CA-35-I/HGX-5862031MLO |
| OEM: | 11044-8J107 |
| EQUIV 2: | PATHFINDER-X-TERAA 4.0L |

JUNTA CABEZA IZQ GRAF C/SIL 24VAL VQ35DE/VQ40DE (ALTIMA-MAXIMA-MURANO-QUEST 3.5L)

SUPERSEAL



| | |
|---|-----------------------|
| NS | |
| NP-300 (D-22) 4WD 2.5L 2008-2015 | |
| CODIGO | JCRN0700 |
| EQUIV 1: | CA-38/HGX-5840290-MLO |
| OEM: | 11044-VK500 |
| EQUIV 2: | |

JUNTA CABEZA GRAFITADA C/SILICONA 16VAL YD25DDTI (DIESEL) **SUPERSEAL**



| | |
|---|-----------------|
| NS | |
| NP-300 FRONTIER (D-23) 2016-2024 | |
| CODIGO | JCRN0710 |
| EQUIV 1: | CA-47-1 |
| OEM: | |
| EQUIV 2: | |

JUNTA CABEZA GRAFITADA C/SILICONA 16VAL QR25DE (2.5L GASOLINA) **SUPERSEAL**



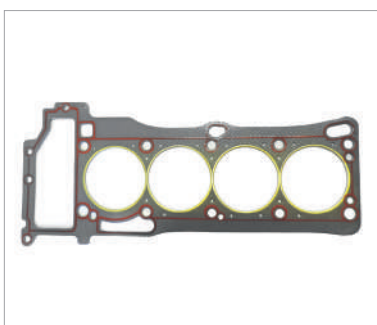
| | |
|----------------------------------|----------------------|
| NS | |
| NV-350 2.5L GAS 2013-2022 | |
| CODIGO | JCRN0411 |
| EQUIV 1: | CA-39/HGX-5840294-SB |
| OEM: | 11044-EA001 |
| EQUIV 2: | |

JUNTA CABEZA GRAFITADA C/SILICONA 16VAL QR25DE (URVAN 2.5L GAS 07-12) **SUPERSEAL**



| | |
|-------------------------------|-----------------------|
| NS | |
| PLATINA 1.6L 2002-2010 | |
| CODIGO | JCRN0301 |
| EQUIV 1: | CA-201/HGX-6540109-GF |
| OEM: | 11044-00QAA |
| EQUIV 2: | |

JUNTA CABEZA GRAFITADA C/SILICONA 16VAL K4M (APRIO/CLIO 1.6L/KANGOO) **SUPERSEAL**



| | |
|-----------------------------------|----------------------|
| NS | |
| SENTRA B-15 1.8L 2001-2006 | |
| CODIGO | JCRN1301 |
| EQUIV 1: | CA-31/HGX-5840215-SB |
| OEM: | 11044-4M700 |
| EQUIV 2: | |

JUNTA CABEZA GRAFITADA C/SILICONA 16VAL QG18DE **SUPERSEAL**



| | |
|-----------------------------------|-----------------|
| NS | |
| SENTRA B-16 2.5L 2007-2012 | |
| CODIGO | JCRN1401 |
| EQUIV 1: | CA-36 |
| OEM: | 11044-ET80A |
| EQUIV 2: | |

JUNTA CABEZA GRAFITADA S/SILICONA 16VAL QR25DE **SUPERSEAL**



| | |
|---|-----------------|
| NS | |
| SENTRA B-17 1.6L SPORT 2017-2019 | |
| CODIGO | JCRN1810 |
| EQUIV 1: | CA-43-1 |
| OEM: | |
| EQUIV 2: | |

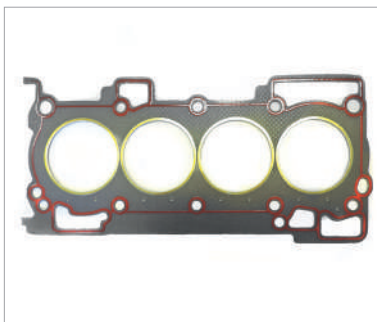
JUNTA CABEZA GRAF C/SIL 16VAL MR16DDT/M5M (JUKE 12-17/CLIO RS 15-17) MOD NISMO **SUPERSEAL**



| | |
|-----------------------------------|-----------------|
| NS | |
| SENTRA B-17 1.8L 2013-2020 | |
| CODIGO | JCRN1801 |
| EQUIV 1: | CA-43 |
| OEM: | 11044-3RC0B |
| EQUIV 2: | |

JUNTA CABEZA GRAFITADA S/SILICONA 16VAL MRA8DE **SUPERSEAL**

JUNTA CABEZA



NS

TIIDA 1.8L 2006-2017

| | |
|----------|----------------------|
| CODIGO | JCRN1101 |
| EQUIV 1: | CA-22/HGX-5840210-SB |
| OEM: | 11044-EN200 |

| | |
|----------|--|
| EQUIV 2: | |
|----------|--|

JUNTA CABEZA GRAFITADA C/SIL 16VAL MR18DE (B-16 2.0L MR20DE 07-10)

SUPERSEAL



NS

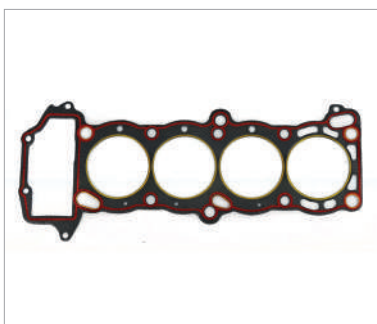
TS-II/TS-I 1.6L/1.5L 1984-1991

| | |
|----------|----------------------|
| CODIGO | JCRN0500 |
| EQUIV 1: | CA-19/HGX-5840170-SB |
| OEM: | 11044-31M00 |

| | |
|----------|--|
| EQUIV 2: | |
|----------|--|

JUNTA CABEZA GRAFITADA C/SILICONA 8VAL E15/E16 (TS-II VAGONETA) (EMP/5PZS)

SUPERSEAL



NS

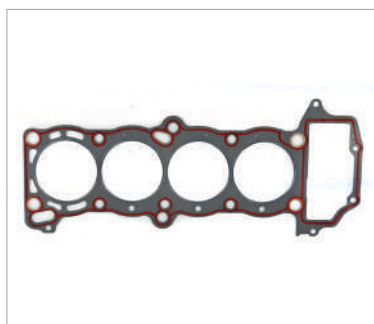
TS-III 1.6L 1992-1994

| | |
|----------|----------------------|
| CODIGO | JCRN0100 |
| EQUIV 1: | CA-21/HGX-5840172-SB |
| OEM: | 11044-57Y00 |

| | |
|----------|--|
| EQUIV 2: | |
|----------|--|

JUNTA CABEZA GRAFITADA C/SILICONA 8VAL GA16DE (EM-P/5PZS)

SUPERSEAL



NS

TS-III 1.6L 1995-2017

| | |
|----------|----------------------|
| CODIGO | JCRN0110 |
| EQUIV 1: | CA-29/HGX-5840175-SB |
| OEM: | 11044-74Y00 |

| | |
|----------|--|
| EQUIV 2: | |
|----------|--|

JUNTA CABEZA GRAFITADA C/SILICONA 16VAL GA16DNE (SENTRA B-14) (EMP/5PZS)

SUPERSEAL



NS

URVAN 2.4L 2002-2006

| | |
|----------|----------------------|
| CODIGO | JCRN0400 |
| EQUIV 1: | CA-30/HGX-5840305-GF |
| OEM: | 11044-70F00 |

| | |
|----------|--|
| EQUIV 2: | |
|----------|--|

JUNTA CABEZA GRAFITADA C/SILICONA 16VAL KA24DE (NP-300 2WD 08-15/Frontier 96-01)

SUPERSEAL



NS

URVAN 3.0L DIESEL 2007-2012

| | |
|----------|-----------------------|
| CODIGO | JCRN0420 |
| EQUIV 1: | CA-37/HGX-5840315-MLO |
| OEM: | 11044-VC100 |

| | |
|----------|--|
| EQUIV 2: | |
|----------|--|

JUNTA CABEZA GRAFITADA C/SILICONA 16VAL ZD30DDTI

SUPERSEAL



NS

VERSA 1.6L 2012-2019

| | |
|----------|-----------------|
| CODIGO | JCRN0900 |
| EQUIV 1: | CA-11 |
| OEM: | 11044-1KT0B |

| | |
|----------|--|
| EQUIV 2: | |
|----------|--|

JUNTA CABEZA GRAFITADA C/SIL 16VAL HR16DE (V-DRIVE/ MARCH/TIIDA 1.6L/MICRA/NOTE)

SUPERSEAL



NS

X-TRAIL 2.5L 2001-2014

| | |
|----------|-----------------------|
| CODIGO | JCRN2200 |
| EQUIV 1: | CA-34/HGX-5840292-MLO |
| OEM: | 11044-6N202 |

| | |
|----------|--|
| EQUIV 2: | |
|----------|--|

JUNTA CABEZA GRAF C/SIL 16VAL QRD25DE (ALTIMA 2.5L 02-09/Frontier 2.5L 02-07)

SUPERSEAL

JUNTA CABEZA



NS

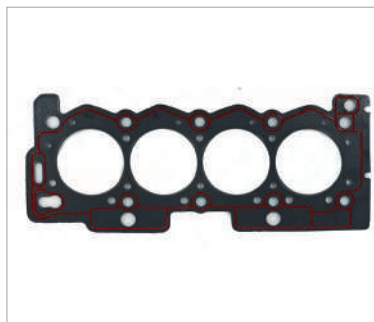
X-TRAIL 2.5L 2015-2022

| | |
|----------|-----------------|
| CODIGO | JCRN2210 |
| EQUIV 1: | CA-47 |
| OEM: | 11044-3TA0A |

| | |
|----------|--|
| EQUIV 2: | |
|----------|--|

SUPERSEAL

JUNTA CABEZA GRAF C/SIL 16VAL QR25DE/TR25 (ALTIMA 13-18/RN KOLEOS 17-22)



PG

PG-206 1.4L 1999-2009

| | |
|----------|-----------------------|
| CODIGO | JCRP0100 |
| EQUIV 1: | CA-250/HGX-6240050-SB |
| OEM: | 0209-A9 |

| | |
|----------|--|
| EQUIV 2: | |
|----------|--|

SUPERSEAL

JUNTA CABEZA GRAFITADA C/SILICONA 8VAL TU3JP



PG

PG-206 1.6L 1999-2009

| | |
|----------|-----------------|
| CODIGO | JCRP0110 |
| EQUIV 1: | CA-251 |
| OEM: | 0209-1E |

| | |
|----------|--|
| EQUIV 2: | |
|----------|--|

SUPERSEAL

JUNTA CABEZA GRAFITADA C/SILICONA 16VAL TU5JP4 (PARTNER 04-12)



RT

FLUENCE 2.0L 2011-2017

| | |
|----------|-----------------|
| CODIGO | JCRR1000 |
| EQUIV 1: | CA-88 |
| OEM: | |

| | |
|----------|--|
| EQUIV 2: | |
|----------|--|

SUPERSEAL

JUNTA CABEZA GRAFITADA C/SILICONA 16VAL M4R (SAFRANE 2.0L 09-15)



RT

MEGANE 2.0L 2005-2010

| | |
|----------|------------------------|
| CODIGO | JCRR0300 |
| EQUIV 1: | CA-203/HGX-6540170-MLO |
| OEM: | 77001-08254 |

| | |
|----------|--|
| EQUIV 2: | |
|----------|--|

SUPERSEAL

JUNTA CABEZA GRAFITADA C/SILICONA 16VAL F4R-740 (SCENIC 2.0L 01-09)



RT

SCALA 1.6L 2010-2013

| | |
|----------|-----------------|
| CODIGO | JCRR0700 |
| EQUIV 1: | CA-81 |
| OEM: | 11044-8M010 |

| | |
|----------|--|
| EQUIV 2: | |
|----------|--|

SUPERSEAL

JUNTA CABEZA GRAFITADA C/SILICONA 16VAL QG16DE



SZ

AERIO 2.3L 2004-2007

| | |
|----------|-----------------|
| CODIGO | JCRY0200 |
| EQUIV 1: | CA-1001 |
| OEM: | |

| | |
|----------|--|
| EQUIV 2: | |
|----------|--|

SUPERSEAL

JUNTA CABEZA GRAFITADA C/SILICONA 16VAL J23A



SZ

GRAND VITARA 2.4L 2006-2015

| | |
|----------|-----------------|
| CODIGO | JCRY0100 |
| EQUIV 1: | CA-1005 |
| OEM: | 11141-78K01 |

| | |
|----------|--|
| EQUIV 2: | |
|----------|--|

SUPERSEAL

JUNTA CABEZA GRAFITADA C/SILICONA 16VAL J24B (KIZASHI 2.4L 10-16)



SZ

SWIFT 1.2L/1.4L 2012-2024

| | |
|----------|-----------------|
| CODIGO | JCRY0320 |
| EQUIV 1: | CA-1004 |
| OEM: | 11141-73K00 |

| | |
|----------|--|
| EQUIV 2: | |
|----------|--|

JUNTA CABEZA GRAF C/SIL 16VAL K12B/K14B (IGNIS 17-24/
CIAZ 15-22/BALENO 21-24)

SUPERSEAL



SZ

SWIFT 1.5L 2007-2017

| | |
|----------|-------------------------|
| CODIGO | JCRY0300 |
| EQUIV 1: | CA-1000/HGX-7640035-MLO |
| OEM: | 11141-69G01 |

| | |
|----------|--|
| EQUIV 2: | |
|----------|--|

JUNTA CABEZA GRAFITADA C/SILICONA 16VAL M15A

SUPERSEAL



SZ

SWIFT 1.6L 2012-2024

| | |
|----------|-----------------|
| CODIGO | JCRY0310 |
| EQUIV 1: | CA-1006 |
| OEM: | 11141-54LA0 |

| | |
|----------|--|
| EQUIV 2: | |
|----------|--|

JUNTA CABEZA GRAFITADA C/SIL 16VAL M16A (VITARA 16-
22/SX-4 15-20/S-CROSS 14-20)

SUPERSEAL



SZ

SX-4 2.0L 2007-2014

| | |
|----------|-----------------|
| CODIGO | JCRY0500 |
| EQUIV 1: | CA-1003 |
| OEM: | 11141-78K01 |

| | |
|----------|--|
| EQUIV 2: | |
|----------|--|

JUNTA CABEZA GRAFITADA C/SILICONA 16VAL J20B/MR20G
(SX-4 CROSSOVER 07-14)

SUPERSEAL



TY

AVANZA 1.5L 2007-2015

| | |
|----------|-----------------|
| CODIGO | JCRT2010 |
| EQUIV 1: | CA-1324 |
| OEM: | 11115-23030 |

| | |
|----------|--|
| EQUIV 2: | |
|----------|--|

JUNTA CABEZA GRAFITADA C/SILICONA 16VAL 3SZ-VE

SUPERSEAL



TY

AVANZA 1.5L 2016-2021

| | |
|----------|-----------------|
| CODIGO | JCRT2000 |
| EQUIV 1: | CA-1327 |
| OEM: | 11115-47050 |

| | |
|----------|--|
| EQUIV 2: | |
|----------|--|

JUNTA CABEZA GRAFITADA C/SILICONA 16VAL 2NR-FE (YA-
RIS 1.5L 16-22)

SUPERSEAL



TY

CAMRY 2.4L 2002-2011

| | |
|----------|-----------------|
| CODIGO | JCRT0100 |
| EQUIV 1: | CA-1308 |
| OEM: | |

| | |
|----------|-----------------------|
| EQUIV 2: | HIGHLANDER 2.4L 01-07 |
|----------|-----------------------|

JUNTA CABEZA GRAF C/SIL 16VAL 2AZ-FE (COROLLA 09-13/
RAV-4 01-05/MATRIX 09-14)

SUPERSEAL



TY

CAMRY 3.5L 2007-2017

| | |
|----------|---------------------------|
| CODIGO | JCRT0101 |
| EQUIV 1: | CA-1320-D/HGX-8062071-MLO |
| OEM: | 11115-31080 |

| | |
|----------|--|
| EQUIV 2: | |
|----------|--|

JUNTA CABEZA DER GRAF C/SIL 24VAL 2GR-FE (RAV-4 06-12/
SIENNA 06-15/HIGHLA 08-19)

SUPERSEAL



| | |
|-----------------------------|---------------------------|
| TY | |
| CAMRY 3.5L 2007-2017 | |
| CODIGO | JCRT0102 |
| EQUIV 1: | CA-1320-I/HGX-8062070-MLO |
| OEM: | 11116-31060 |
| EQUIV 2: | |

JUNTA CABEZA IZQ GRAF C/SIL 24VAL 2GR-FE (RAV-4 06-12/ SIENNA 06-15/HIGHLA 08-19) **SUPERSEAL**



| | |
|-------------------------------|-----------------|
| TY | |
| COROLLA 1.8L 2009-2019 | |
| CODIGO | JCRT0200 |
| EQUIV 1: | CA-1328 |
| OEM: | 11115-37051 |
| EQUIV 2: | |

JUNTA CABEZA GRAFITADA C/SILICONA 16VAL 2ZR-FE (MA-TRIX 09-14/PRIUS 11-22) **SUPERSEAL**



| | |
|-----------------------------|-------------------------|
| TY | |
| HIACE 2.7L 2005-2019 | |
| CODIGO | JCRT0400 |
| EQUIV 1: | CA-1310/HGX-8040357-MLO |
| OEM: | 11115-75050 |
| EQUIV 2: | |

JUNTA CABEZA GRAFITADA C/SILICONA 16VAL 2TR-FE (HI-LUX 2.7L 06-11) **SUPERSEAL**



| | |
|-----------------------------|-----------------|
| TY | |
| RAV-4 2.5L 2013-2018 | |
| CODIGO | JCRT0600 |
| EQUIV 1: | CA-1329 |
| OEM: | |
| EQUIV 2: | |

JUNTA CABEZA GRAFITADA C/SILICONA 16VAL 2AR-FE (CAMRY 12-17) **SUPERSEAL**



| | |
|-----------------------------|-------------------------|
| TY | |
| YARIS 1.5L 2006-2015 | |
| CODIGO | JCRT0300 |
| EQUIV 1: | CA-1312/HGX-8040085-MLO |
| OEM: | 11115-21050 |
| EQUIV 2: | |

JUNTA CABEZA GRAFITADA C/SILICONA 16VAL 1NZ-FE **SUPERSEAL**



| | |
|-----------------------------------|----------------------|
| VK | |
| CARIBE 1.6L/1.7L 1977-1987 | |
| CODIGO | JCRV1800 |
| EQUIV 1: | CA-92/HGX-8640130-SB |
| OEM: | 049-103-383A |
| EQUIV 2: | |

JUNTA CABEZA GRAFITADA C/SILICONA 8VAL VIN E/N (AT-LANTIC 81-87) **SUPERSEAL**



| | |
|--|-----------------|
| VK | |
| EUROVAN 1.9L TDI DIESEL 2005-2010 | |
| CODIGO | JCRV1110 |
| EQUIV 1: | CA-90-1 |
| OEM: | 038-103-383DG |
| EQUIV 2: | |

JUNTA CABEZA GRAFITADA C/SILICONA 8VAL AXB **SUPERSEAL**



| | |
|--|----------------------|
| VK | |
| EUROVAN 2.5L GASOLINA 2000-2004 | |
| CODIGO | JCRV1100 |
| EQUIV 1: | CA-90/HGX-8650010-SB |
| OEM: | 023-103-383B |
| EQUIV 2: | |

JUNTA CABEZA GRAFITADA C/SILICONA 10VAL AAF/ACU/ AET/AEU **SUPERSEAL**



| | |
|---------------------------|----------------------|
| VK | |
| GOL 1.6L 2008-2021 | |
| CODIGO | JCRV0601 |
| EQUIV 1: | CA-91/HGX-8640090-SB |
| OEM: | 032-103-383N |
| EQUIV 2: | SPORT VAN 07-09 |

JUNTA CABEZA GRAF C/SIL 8VAL EA111 (SAVEIRO/LUPO/POLO/CROSSFOX/IBIZA/CORDOBA)

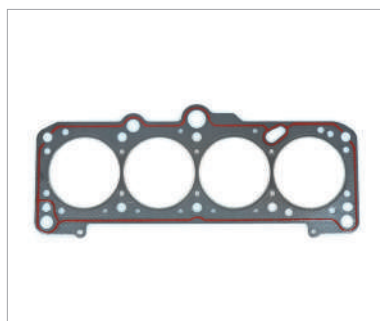
SUPERSEAL



| | |
|--|------------------------|
| VK | |
| JETTA A4/CLASICO 2.0L 1999-2015 | |
| CODIGO | JCRV0121 |
| EQUIV 1: | CA-99-1/HGX-8640160-SB |
| OEM: | 06A-103-383K |
| EQUIV 2: | |

JUNTA CABEZA GRAFITADA C/SIL 8VAL BBX (BEETLE/GOLF A4-A5/POLO/IBIZA/CORDOBA)

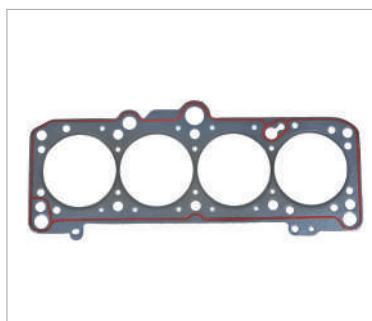
SUPERSEAL



| | |
|--|----------------------|
| VK | |
| JETTA/GOLF A2/A3 1.8L 1987-1998 | |
| CODIGO | JCRV0100 |
| EQUIV 1: | CA-93/HGX-8640135-SB |
| OEM: | 056-103-383L/6J |
| EQUIV 2: | |

JUNTA CABEZA GRAFITADA C/SIL 8VAL VIN EN (CARIBE GT 1.8L/CORSAR/COMBI) EMP/5PZS

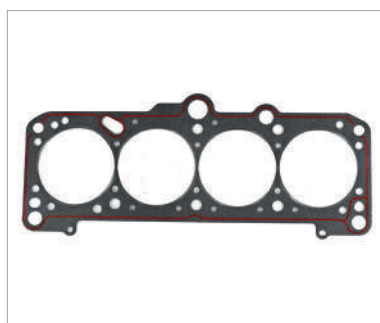
SUPERSEAL



| | |
|-------------------------------------|----------------------|
| VK | |
| JETTA/GOLF A3 2.0L 1993-1998 | |
| CODIGO | JCRV0110 |
| EQUIV 1: | CA-99/HGX-8640161-SB |
| OEM: | 06A-103-383AN |
| EQUIV 2: | |

JUNTA CABEZA GRAFITADA C/SILICONA 8VAL 2E (PASSAT 93-98) (EMP/5PZS)

SUPERSEAL



| | |
|-------------------------------|----------------------|
| VK | |
| POINTER 1.8L 1998-2009 | |
| CODIGO | JCRV0200 |
| EQUIV 1: | CA-94/HGX-8640135-SB |
| OEM: | 050-103-383A |
| EQUIV 2: | |

JUNTA CABEZA GRAF C/SIL 8VAL AEG/AVH/AZG (VAGONE-TA/PICK-UP 00-09/DERBY) EMP/5PZS

SUPERSEAL



| | |
|--|---------------------------|
| VK | |
| TRANSPORTER 2.0L DIESEL 2011-2020 | |
| CODIGO | JCRV1120 |
| EQUIV 1: | CA-110NK |
| OEM: | |
| EQUIV 2: | BEETLE 12-16/TIGUAN 09-12 |

JUNTA CABEZA GRAF C/SIL 16VAL (JETTA 09-14/GRAFTER 08-18/AMAROK 10-20/GOLF A6)

SUPERSEAL



| | |
|---------------------------------|-----------------|
| VK | |
| VENTO 1.6L GAS 2014-2022 | |
| CODIGO | JCRV0701 |
| EQUIV 1: | CA-103 |
| OEM: | 03C-103-383A |
| EQUIV 2: | |

JUNTA CABEZA GRAFITADA C/SILICONA 16VAL CLSA/CLPA (TIGUAN TURBO 1.4L 13-17)

SUPERSEAL

JUNTA TAPA DE DISTRIBUCIÓN



VK

GOL 1.6L 2008-2021

| | |
|----------|-----------------|
| CODIGO | JDRV0600 |
| EQUIV 1: | TCX-8640090 |
| OEM: | 032-103-161K |

EQUIV 2: SPORT VAN 07-09

SUPERSEAL

JUNTA TAPA DISTRIBUCION 8VAL EA111 (SAVEIRO-LU-PO-POLO 1.6L/CROSSFOX 1.6L)



VK

VENTO 1.6L GAS 2014-2022

| | |
|----------|-----------------|
| CODIGO | JDRV0700 |
| EQUIV 1: | |
| OEM: | 03C-109-287C |

EQUIV 2:

SUPERSEAL

JUNTA TAPA DISTRIBUCION METAL 16VAL CLSA/CLPA (TI-GUAN TURBO 1.4L 13-17)

JUNTA TAPA DE DISTRIBUCIÓN



NS

PLATINA 1.6L 2002-2010

| | |
|----------|-----------------------|
| CODIGO | JERN0300 |
| EQUIV 1: | MU-4203-P/MIX-6540109 |
| OEM: | 14035-00QAA |

EQUIV 2:

SUPERSEAL

JUNTA MULTIPLE PLENUM 4PIEZAS 16VAL K4M (APRIO/CLIO 1.6L/DUSTER 2.0L/KANGOO)



VK

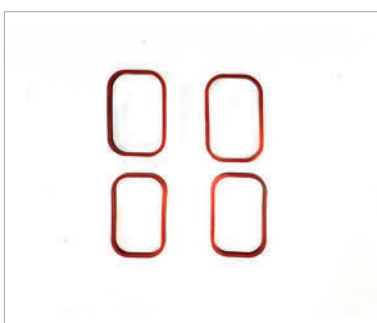
JETTA A4/CLASICO 2.0L 1999-2015

| | |
|----------|-----------------|
| CODIGO | JERV0100 |
| EQUIV 1: | MIX-8640160 |
| OEM: | MU-499-1P |

EQUIV 2:

SUPERSEAL

JUNTA MULTIPLE PLENUM 8VAL BBX (BEETLE/GOLF A4-A5/POLO/IBIZA/CORDOBA)



VK

VENTO 1.6L GAS 2014-2022

| | |
|----------|-----------------|
| CODIGO | JERV0700 |
| EQUIV 1: | MU-4103-A-1 |
| OEM: | 03C-129-717A |

EQUIV 2:

SUPERSEAL

JUNTA MULTIPLE PLENUM 4PIEZAS 16VAL CLSA/CLPA (TI-GUAN TURBO 1.4L 13-17)

JUNTA DE MOTOR COMPLETA



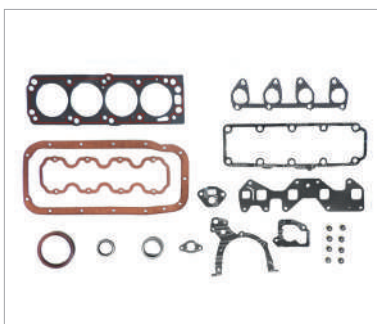
| | |
|----------------------------|---------------------|
| CV | |
| AVEO 1.6L 2007-2010 | |
| CODIGO | JMSC9910 |
| EQUIV 1: | JC-1239/FSX-6040075 |
| OEM: | 93740513 |
| EQUIV 2: | |

JUNTA MOTOR COMPLETA GRAFITADA 16VAL LXT (1GOTA)
(PT G3 06-09)



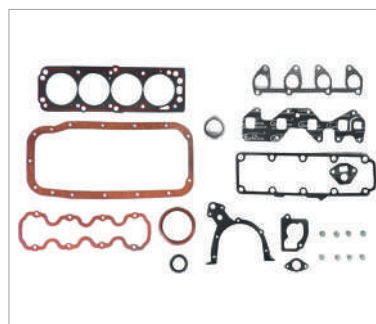
| | |
|----------------------------|-----------------------|
| CV | |
| AVEO 1.6L 2007-2017 | |
| CODIGO | JMSC9900 |
| EQUIV 1: | JC-1239-1/FSX-6040076 |
| OEM: | 93742687 |
| EQUIV 2: | |

JUNTA MOTOR COMPLETA GRAFITADA 16VAL LXV F16D3
(2GOTA)



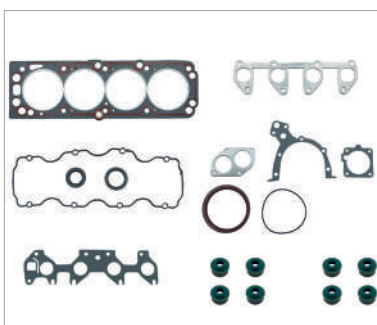
| | |
|-----------------------------|---------------------|
| CV | |
| CHEVY 1.4L 1994-2000 | |
| CODIGO | JMRC0150 |
| EQUIV 1: | JC-1213/FSX-6040030 |
| OEM: | 90442264 |
| EQUIV 2: | |

JUNTA MOTOR COMPLETA GRAFITADA 8VAL C14NZ



| | |
|-------------------------------------|---------------------|
| CV | |
| CHEVY C-2/C-3 1.6L 2001-2012 | |
| CODIGO | JMRC0160 |
| EQUIV 1: | JC-1215/FSX-6040031 |
| OEM: | 9942656/90442262 |
| EQUIV 2: | |

JUNTA MOTOR COMPLETA GRAFITADA 8VAL C16N2/C16NE



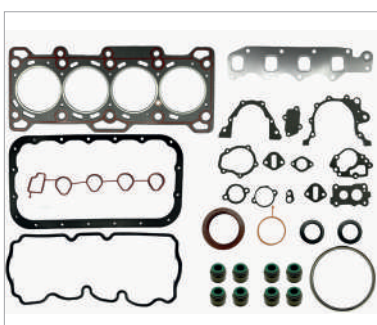
| | |
|----------------------------------|---------------------|
| CV | |
| CORSA 1.4L/1.8L 2003-2008 | |
| CODIGO | JMRC0250 |
| EQUIV 1: | JC-1225/FSX-6040126 |
| OEM: | 1606095 |
| EQUIV 2: | |

JUNTA MOTOR COMPLETA GRAFITADA 8VAL C18NZ (TOR-
NADO 04-11)



| | |
|-----------------------------|---------------------|
| CV | |
| CRUZE 1.8L 2010-2015 | |
| CODIGO | JMSC1000 |
| EQUIV 1: | JC-1242/FSX-7640050 |
| OEM: | 93186911 |
| EQUIV 2: | |

JUNTA MOTOR COMPLETA GRAFITADA 16VAL LUW/A18XER
(TRAX 1.8L)



| | |
|-----------------------------------|---------------------|
| CV | |
| MATIZ G1/G2 1.0L 2003-2015 | |
| CODIGO | JMSG0150 |
| EQUIV 1: | JC-1234/FSX-1640010 |
| OEM: | 93740055 |
| EQUIV 2: | |

JUNTA MOTOR COMPLETA GRAFITADA 8VAL S-TEC



| | |
|-----------------------------|---------------------|
| CV | |
| OPTRA 2.0L 2006-2010 | |
| CODIGO | JMSC1700 |
| EQUIV 1: | JC-1204/FSX-6040160 |
| OEM: | 92066550 |
| EQUIV 2: | |

JUNTA MOTOR COMPLETA GRAFITADA 4CIL 16VAL X20SE



JUNTA DE MOTOR COMPLETA



| | |
|-----------------------------|---------------------|
| CV | |
| SONIC 1.6L 2012-2018 | |
| CODIGO | JMSC0900 |
| EQUIV 1: | JC-1238/FSX-7640050 |
| OEM: | 93190885 |
| EQUIV 2: | |

JUNTA MOTOR COMPLETA GRAFITADA S/PORTA RETEN
16VAL LDE



| | |
|-----------------------------|---------------------|
| CV | |
| SPARK 1.2L 2011-2017 | |
| CODIGO | JMSC0800 |
| EQUIV 1: | JC-1209/FSX-8940010 |
| OEM: | 96941108 |
| EQUIV 2: | |

JUNTA MOTOR COMPLETA GRAFITADA 16VAL SMARTECH II
(BEAT 1.2L 18-21)



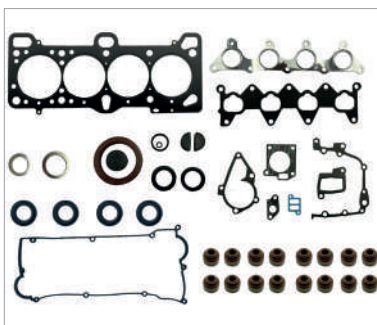
| | |
|----------------------------|------------------------|
| DG | |
| ATOS 1.1L 2006-2012 | |
| CODIGO | JMSK0110 |
| EQUIV 1: | JC-111-2/FSX-3640011-1 |
| OEM: | 20910-02H00 |
| EQUIV 2: | |

JUNTA MOTOR COMPLETA GRAFITADA 12VAL G4HG



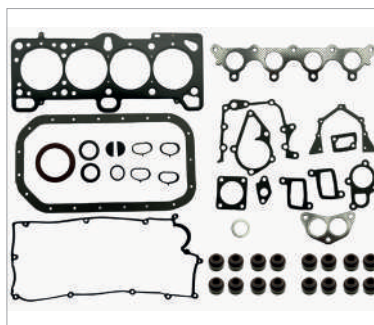
| | |
|--------------------------------|-----------------|
| DG | |
| ATTITUDE 1.2L 2015-2024 | |
| CODIGO | JMRK1100 |
| EQUIV 1: | JC-1615 |
| OEM: | |
| EQUIV 2: | |

JUNTA MOTOR COMPLETA GRAFITADA 3CIL 12VAL 3A92
MIVEC (MT MIRAGE-G4 15-24)



| | |
|--------------------------------|--------------------|
| DG | |
| ATTITUDE 1.4L 2006-2011 | |
| CODIGO | JMSK1100 |
| EQUIV 1: | JC-114/FSX-3640070 |
| OEM: | 20910-26L00 |
| EQUIV 2: | |

JUNTA MOTOR COMPLETA GRAFITADA 4CIL 16VAL G4EE



| | |
|--------------------------------|--------------------|
| DG | |
| ATTITUDE 1.6L 2006-2011 | |
| CODIGO | JMSK1110 |
| EQUIV 1: | JC-116/FSX-3640070 |
| OEM: | 20910-26K00 |
| EQUIV 2: | |

JUNTA MOTOR COMPLETA GRAFITADA 4CIL 16VAL G4ED/
ALPHA II



| | |
|--------------------------------|--------------------|
| DG | |
| ATTITUDE 1.6L 2012-2014 | |
| CODIGO | JMSK1120 |
| EQUIV 1: | JC-451/FSX-3640061 |
| OEM: | 20910-2BG00 |
| EQUIV 2: | |

JUNTA MOTOR COMPLETA METALICA 16VAL G4FC/G4FD
(RIO 16-23/ACCENT 18-22/SOUL 16-19)



| | |
|-----------------------------|---------------------|
| DG | |
| H-100 2.5L 2006-2012 | |
| CODIGO | JMSK1410 |
| EQUIV 1: | JC-1415/FSX-5540330 |
| OEM: | 20910-42D00 |
| EQUIV 2: | |

JUNTA MOTOR COMPLETA GRAFITADA 8VAL D4BH (DIESEL)



JUNTA DE MOTOR COMPLETA



| | |
|----------------------------|--------------------|
| DG | |
| I-10 1.1L 2011-2014 | |
| CODIGO | JMSK0800 |
| EQUIV 1: | JC-120/FSX-3640015 |
| OEM: | 20920-02X00 |
| EQUIV 2: | |

JUNTA MOTOR COMPLETA GRAFITADA 12VAL G4HG



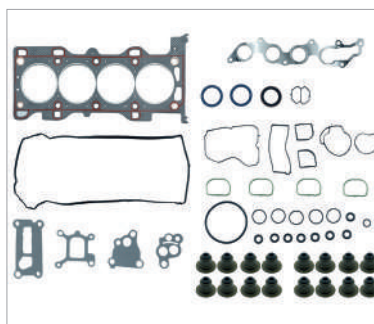
| | |
|-------------------------------|---------------------|
| DG | |
| JOURNEY 2.4L 2009-2020 | |
| CODIGO | JMRK8100 |
| EQUIV 1: | JC-1407/FSX-1140070 |
| OEM: | 5189954AA |
| EQUIV 2: | |

JUNTA MOTOR COMPLETA GRAFITADA 16VAL GEMA (PATRIOT-COMPASS-AVenger 2.4L)



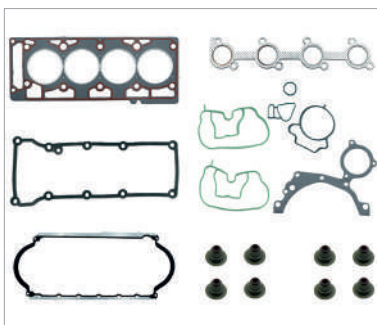
| | |
|-----------------------------|--------------------|
| DG | |
| VERNA 1.5L 2004-2006 | |
| CODIGO | JMRK2550 |
| EQUIV 1: | JC-112/FSX-3640050 |
| OEM: | 20910-22A10 |
| EQUIV 2: | |

JUNTA MOTOR COMPLETA GRAFITADA 12VAL G4EK



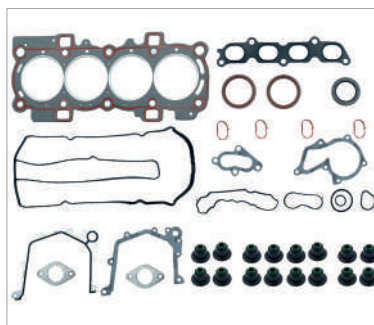
| | |
|--------------------------------|---------------------|
| FD | |
| ECOSPORT 2.0L 2004-2012 | |
| CODIGO | JMRF1000 |
| EQUIV 1: | JC-1511/FSX-5340218 |
| OEM: | 8LB1-10271A |
| EQUIV 2: | |

JUNTA MOTOR COMPLETA GRAFITADA S/CIGUEÑAL 16VAL DURATEC-HE



| | |
|------------------------------------|---------------------|
| FD | |
| FIESTA FIRST 1.6L 2003-2010 | |
| CODIGO | JMRF0200 |
| EQUIV 1: | JC-1523/FSX-2640018 |
| OEM: | XS6E-6051BA |
| EQUIV 2: | |

JUNTA MOTOR COMPLETA GRAFITADA S/CIGUEÑAL 8VAL ZETEC-ROCAM (IKON/KA/COURIER)



| | |
|----------------------------|-------------------------|
| FD | |
| FIGO 1.5L 2016-2022 | |
| CODIGO | JMRF0700 |
| EQUIV 1: | JC-1561/FSX-2640011-MLS |
| OEM: | BE8Z-6051A |
| EQUIV 2: | FIESTA IKON 1.6L 11-15 |

JUNTA MOTOR COMP GRAF S/CIGÜ 16VAL ZETEC-TIVCT (FIESTA 1.6L 11-19/ECOSPORT 1.5L)



| | |
|----------------------------|-----------------|
| HD | |
| CITY 1.5L 2010-2020 | |
| CODIGO | JMRH0500 |
| EQUIV 1: | JC-58 |
| OEM: | 06110-RB0-010 |
| EQUIV 2: | |

JUNTA MOTOR COMPLETA GRAFITADA 16VAL L15A7 (FIT 09-20/BR-V 18-24)



| | |
|----------------------------|-------------------|
| HD | |
| CR-V 2.4L 2007-2011 | |
| CODIGO | JMRH0350 |
| EQUIV 1: | JC-54/FSX-3540210 |
| OEM: | 06110-PNB-000 |
| EQUIV 2: | |

JUNTA MOTOR COMPLETA GRAFITADA 16VAL K24Z1/K24Z2/K24Z3 (ACCORD 08-12)



JUNTA DE MOTOR COMPLETA



HD

CR-V 2.4L 2012-2016

| | |
|----------|-----------------|
| CODIGO | JMRH0300 |
| EQUIV 1: | JC-503 |
| OEM: | 06110-R44-A00 |

| | |
|----------|--|
| EQUIV 2: | |
|----------|--|

JUNTA MOTOR COMPLETA GRAFITADA 16VAL K24Z6/
K24Z7/K24Y2 (CIVIC 12-15/ACCORD 13-15)

SUPERSEAL



HD

HR-V 1.8L 2016-2022

| | |
|----------|-----------------|
| CODIGO | JMRH0600 |
| EQUIV 1: | JC-502 |
| OEM: | 06110-RNA-000 |

| | |
|----------|--|
| EQUIV 2: | |
|----------|--|

JUNTA MOTOR COMPLETA GRAF 16VAL R18A1/R18A2/
R18Z9/R20A5 (CIVIC 1.8L-2.0L 06-15)

SUPERSEAL



HY

GRAND I-10 1.2L 2015-2023

| | |
|----------|--------------------|
| CODIGO | JMSD0300 |
| EQUIV 1: | JC-450/FSX-3640012 |
| OEM: | 20910-03B01 |

| | |
|----------|--|
| EQUIV 2: | |
|----------|--|

JUNTA MOTOR COMPLETA GRAFITADA 16VAL G4LA



MZ

CX-5 2.5L 2013-2013

| | |
|----------|-----------------|
| CODIGO | JMRZ0250 |
| EQUIV 1: | JC-608 |
| OEM: | 8LGN-10271B |

| | |
|----------|------------------------|
| EQUIV 2: | CX-9 16-23/CX-30 20-24 |
|----------|------------------------|

JUNTA MOTOR COMPLETA GRAFITADA 16VAL PEY6/PEY7/
PYY1 (MZ 3 14-24/MZ 6 14-21)

SUPERSEAL



MZ

MZ 3 2.0L 2004-2009

| | |
|----------|--------------------|
| CODIGO | JMRZ0100 |
| EQUIV 1: | JC-600/FSX-5340219 |
| OEM: | L802-10271 |

| | |
|----------|--|
| EQUIV 2: | |
|----------|--|

JUNTA MOTOR COMPLETA GRAFITADA 16VAL MZR

SUPERSEAL



MZ

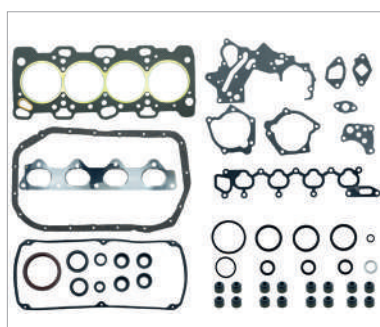
MZ 3 2.3L 2004-2013

| | |
|----------|-----------------|
| CODIGO | JMRZ0110 |
| EQUIV 1: | JC-606 |
| OEM: | 8LL6-10271 |

| | |
|----------|--|
| EQUIV 2: | |
|----------|--|

JUNTA MOTOR COMPLETA GRAFITADA 16VAL MZR (MZ 6
2.3L 03-08/CX-7 2.3L 07-12)

SUPERSEAL



MT

L200 2.4L GAS 2008-2019

| | |
|----------|-----------------|
| CODIGO | JMRS1300 |
| EQUIV 1: | JC-1613 |
| OEM: | MD975831 |

| | |
|----------|--|
| EQUIV 2: | |
|----------|--|

JUNTA MOTOR COMPLETA GRAFITADA 16VAL 4G64

SUPERSEAL



MT

L200 2.5L DIESEL 2008-2019

| | |
|----------|-----------------|
| CODIGO | JMRS1310 |
| EQUIV 1: | JC-1614 |
| OEM: | MD973159 |

| | |
|----------|--|
| EQUIV 2: | |
|----------|--|

JUNTA MOTOR COMPLETA GRAFITADA 16VAL 4D56T

SUPERSEAL

JUNTA DE MOTOR COMPLETA



| | |
|------------------------------|---------------------|
| MT | |
| LANCER 2.0L 2003-2007 | |
| CODIGO | JMRS0500 |
| EQUIV 1: | JC-1600/FSX-5540225 |
| OEM: | MD978078 |
| EQUIV 2: | |

JUNTA MOTOR COMPLETA GRAFITADA 16VAL 4G94

SUPERSEAL



| | |
|-----------------------------------|-----------------|
| MT | |
| LANCER 2.0L/2.4L 2008-2016 | |
| CODIGO | JMRS0510 |
| EQUIV 1: | JC-1616 |
| OEM: | |
| EQUIV 2: | |

JUNTA MOTOR COMPLETA GRAFITADA 16VAL 4B11/4B12
(OUTLANDER 08-13/ASX 13-16)

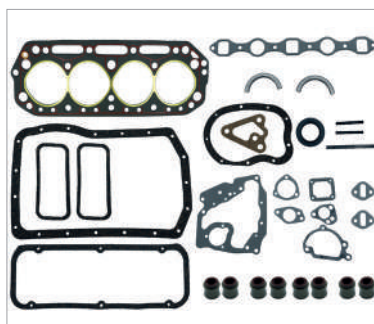
SUPERSEAL



| | |
|---------------------------------|---------------------|
| MT | |
| OUTLANDER 2.4L 2003-2007 | |
| CODIGO | JMRS0600 |
| EQUIV 1: | JC-1604/FSX-5540376 |
| OEM: | MD979394 |
| EQUIV 2: | |

JUNTA MOTOR COMPLETA GRAFITADA 16VAL 4G69 (LANCER 03-07/GALANT/ECLIPSE)

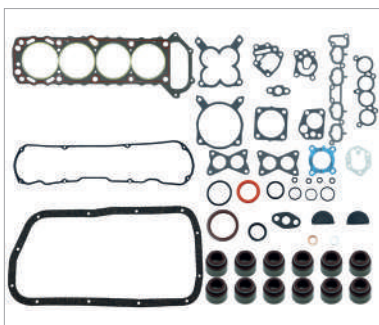
SUPERSEAL



| | |
|---------------------------|---------------------|
| NS | |
| 720 1.8L 1981-1993 | |
| CODIGO | JMRN0650 |
| EQUIV 1: | JC-18-R/FSX-5840213 |
| OEM: | 10101-24WGO |
| EQUIV 2: | |

JUNTA MOTOR COMPLETA GRAFITADA 8VAL J18

SUPERSEAL



| | |
|----------------------------------|-------------------|
| NS | |
| D-21 2/4WD 2.4L 1994-2007 | |
| CODIGO | JMRN0250 |
| EQUIV 1: | JC-20/FSX-5840301 |
| OEM: | 10101-40F26 |
| EQUIV 2: | |

JUNTA MOTOR COMPLETA GRAFITADA 12VAL KA24E (ICHIVAN 88-94)

SUPERSEAL



| | |
|-----------------------------------|---------------------|
| NS | |
| FRONTIER 3.3L V6 1998-2004 | |
| CODIGO | JMRN2710 |
| EQUIV 1: | JC-32/FSX-5862010 |
| OEM: | 10101-7B025 |
| EQUIV 2: | VILLAGER 3.3L 99-03 |

JUNTA MOTOR COMPLETA GRAFITADA 12VAL VG33E (X-TERRA-QUEST-PATHFINDER 3.3L)

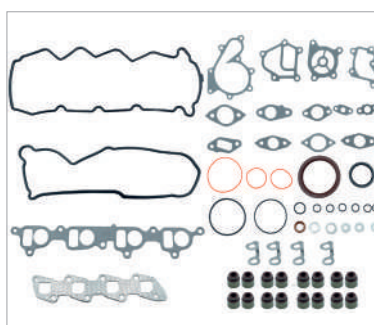
SUPERSEAL



| | |
|-----------------------------------|-------------------|
| NS | |
| FRONTIER 4.0L V6 2005-2019 | |
| CODIGO | JMRN2700 |
| EQUIV 1: | JC-45/FSX-5862040 |
| OEM: | |
| EQUIV 2: | |

JUNTA MOTOR COMPLETA GRAFITADA 24VAL VQ40DE (PATHFINDER 4.0L/X-TERRA 4.0L)

SUPERSEAL



| | |
|---|-------------------|
| NS | |
| NP-300 (D-22) 4WD 2.5L 2008-2015 | |
| CODIGO | JMRN0700 |
| EQUIV 1: | JC-38/FSX-5840290 |
| OEM: | 10101-VK526 |
| EQUIV 2: | |

JUNTA MOTOR COMPLETA GRAFITADA 16VAL YD25DDTI (DIESEL) (CABSTAR 2.5L 08-18)

SUPERSEAL

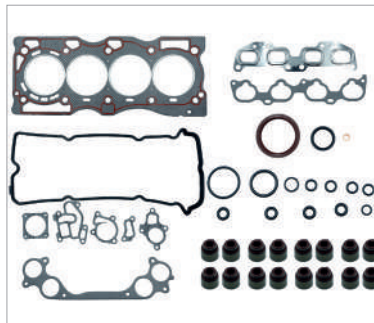
JUNTA DE MOTOR COMPLETA



NS

NP-300 FRONTIER (D-23) 2016-2024

| | |
|----------|-----------------|
| CODIGO | JMRN0710 |
| EQUIV 1: | JC-47-1 |
| OEM: | |
| EQUIV 2: | |



NS

NV-350 2.5L GAS 2013-2022

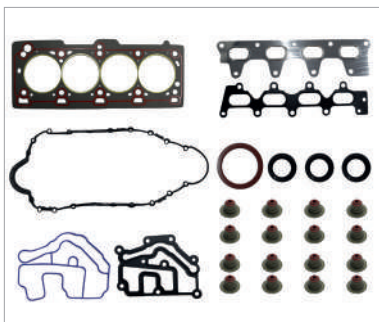
| | |
|----------|-------------------|
| CODIGO | JMRN0410 |
| EQUIV 1: | JC-39/FSX-5840295 |
| OEM: | A0101-MA00A |
| EQUIV 2: | |

JUNTA MOTOR COMPLETA GRAFITADA 16VAL QR25DE (2.5L GASOLINA)

SUPERSEAL

JUNTA MOTOR COMPLETA GRAFITADA 16VAL QR25DE (URVAN 2.5L GAS 07-12)

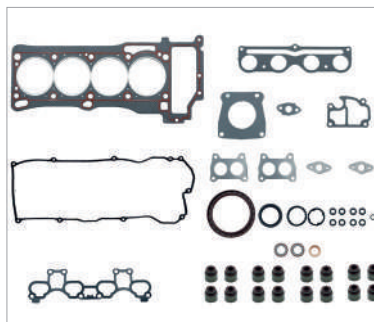
SUPERSEAL



NS

PLATINA 1.6L 2002-2010

| | |
|----------|--------------------|
| CODIGO | JMRN0351 |
| EQUIV 1: | JC-201/FSX-6540109 |
| OEM: | 10101-00QAA |
| EQUIV 2: | |



NS

SENTRA B-15 1.8L 2001-2006

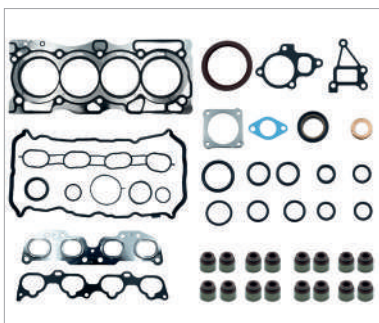
| | |
|----------|-------------------|
| CODIGO | JMRN1350 |
| EQUIV 1: | JC-31/FSX-5840215 |
| OEM: | 10101-5M026 |
| EQUIV 2: | |

JUNTA MOTOR COMPLETA GRAFITADA 16VAL K4M (APRIO/CLIO 1.6L/KANGOO)

SUPERSEAL

JUNTA MOTOR COMPLETA GRAFITADA 16VAL QG18DE

SUPERSEAL



NS

SENTRA B-16 2.5L 2007-2012

| | |
|----------|-------------------|
| CODIGO | JMRN1400 |
| EQUIV 1: | JC-36/FSX-5840295 |
| OEM: | A1042-ET80J |
| EQUIV 2: | |



NS

SENTRA B-17 1.6L SPORT 2017-2019

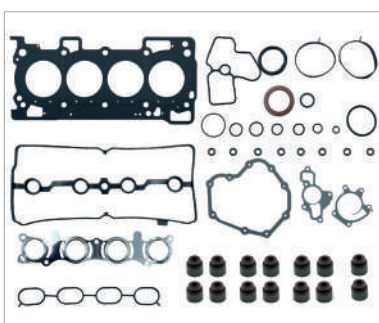
| | |
|----------|-----------------|
| CODIGO | JMRN1810 |
| EQUIV 1: | JC-43-1 |
| OEM: | |
| EQUIV 2: | |

JUNTA MOTOR COMPLETA METALICA 16VAL QR25DE

SUPERSEAL

JUNTA MOTOR COMPLETA GRAF 16VAL MR16DDT/M5M (JUKE 12-17/CLIO RS 15-17) MOD NISMO

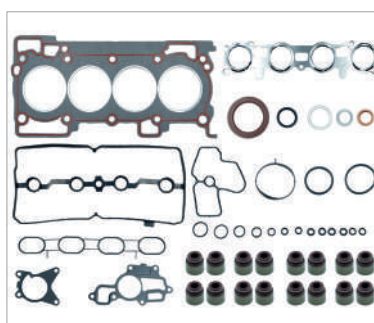
SUPERSEAL



NS

SENTRA B-17 1.8L 2013-2020

| | |
|----------|-----------------|
| CODIGO | JMRN1800 |
| EQUIV 1: | JC-43 |
| OEM: | 11042-1VA0A |
| EQUIV 2: | |



NS

TIIDA 1.8L 2006-2017

| | |
|----------|-------------------|
| CODIGO | JMRN1150 |
| EQUIV 1: | JC-22/FSX-5840210 |
| OEM: | A0101-EN200 |
| EQUIV 2: | |

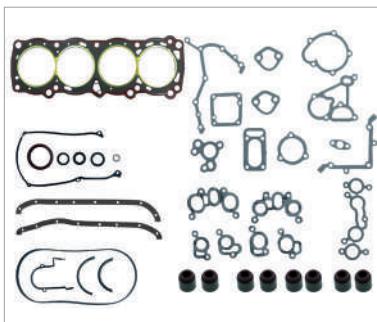
JUNTA MOTOR COMPLETA METALICA 16VAL MRA8DE

SUPERSEAL

JUNTA MOTOR COMPLETA GRAFITADA 16VAL MR18DE (B-16 2.0L MR20DE 07-10)

SUPERSEAL

JUNTA DE MOTOR COMPLETA



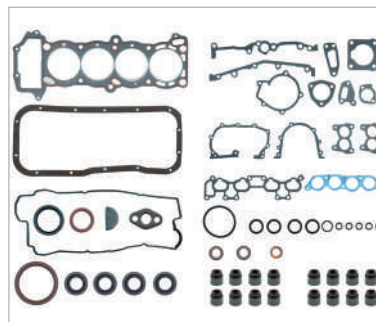
NS

TS-II/TS-I 1.6L/1.5L 1984-1991

| | |
|----------|-------------------|
| CODIGO | JMRN0550 |
| EQUIV 1: | JC-19/FSX-5840170 |
| OEM: | 10101-31M26 |
| EQUIV 2: | |

JUNTA MOTOR COMPLETA GRAFITADA 8VAL E15/E16 (TS-II VAGONETA)

SUPERSEAL



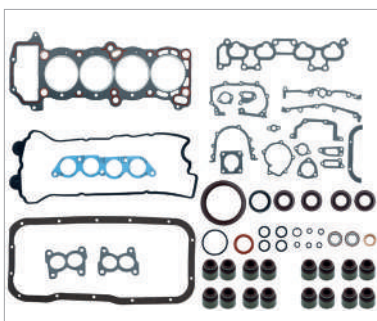
NS

TS-III 1.6L 1992-1994

| | |
|----------|-------------------|
| CODIGO | JMRN0150 |
| EQUIV 1: | JC-21/FSX-5840172 |
| OEM: | 10101-57Y26 |
| EQUIV 2: | |

JUNTA MOTOR COMPLETA GRAFITADA 8VAL GA16DE

SUPERSEAL



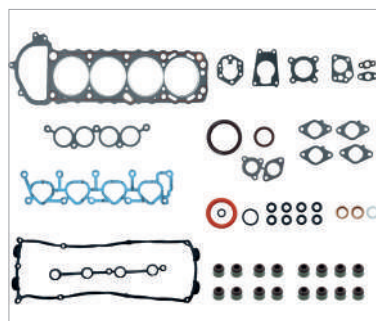
NS

TS-III 1.6L 1995-2017

| | |
|----------|-------------------|
| CODIGO | JMRN0110 |
| EQUIV 1: | JC-29/FSX-5840175 |
| OEM: | 10101-74Y87 |
| EQUIV 2: | |

JUNTA MOTOR COMPLETA GRAFITADA 16VAL GA16DNE (SENTRA B-14)

SUPERSEAL



NS

URVAN 2.4L 2002-2006

| | |
|----------|-------------------|
| CODIGO | JMRN0450 |
| EQUIV 1: | JC-30/FSX-5840305 |
| OEM: | 10101-70F27 |
| EQUIV 2: | |

JUNTA MOTOR COMPLETA GRAFITADA 16VAL KA24DE (NP-300 2WD 08-15/Frontier 96-01)

SUPERSEAL



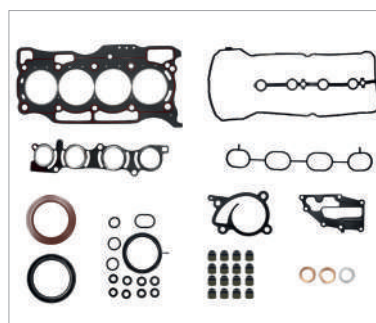
NS

URVAN 3.0L DIESEL 2007-2012

| | |
|----------|-------------------|
| CODIGO | JMRN0470 |
| EQUIV 1: | JC-37/FSX-5840315 |
| OEM: | 10101-2W225 |
| EQUIV 2: | |

JUNTA MOTOR COMPLETA GRAFITADA 16VAL ZD30DDTI

SUPERSEAL



NS

VERSA 1.6L 2012-2019

| | |
|----------|-------------------|
| CODIGO | JMRN0950 |
| EQUIV 1: | JC-11/FSX-5840185 |
| OEM: | 10101-1KT0A |
| EQUIV 2: | |

JUNTA MOTOR COMPLETA GRAFITADA 16VAL HR16DE (V-DRIVE/MARCH/TIIDA 1.6L/MICRA/NOTE)

SUPERSEAL



NS

X-TRAIL 2.5L 2001-2014

| | |
|----------|-------------------|
| CODIGO | JMRN2250 |
| EQUIV 1: | JC-34/FSX-5840292 |
| OEM: | 11042-AE226 |
| EQUIV 2: | |

JUNTA MOTOR COMPLETA GRAF 16VAL QRD25DE (ALTIMA 2.5L 02-09/Frontier 2.5L 02-07)

SUPERSEAL



NS

X-TRAIL 2.5L 2015-2022

| | |
|----------|-----------------|
| CODIGO | JMRN2210 |
| EQUIV 1: | JC-47 |
| OEM: | A0101-3TS0A |
| EQUIV 2: | |

JUNTA MOTOR COMPLETA GRAFITADA 16VAL QR25DE/TR25 (ALTIMA 13-18/RN KOLEOS 17-22)

SUPERSEAL

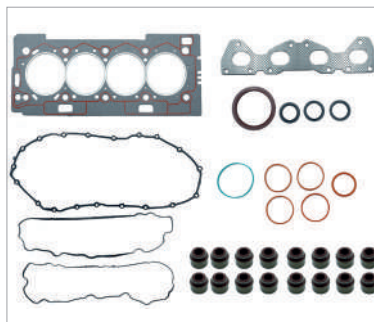
JUNTA DE MOTOR COMPLETA



| | |
|------------------------------|--------------------|
| PG | |
| PG-206 1.4L 1999-2009 | |
| CODIGO | JMRP0100 |
| EQUIV 1: | JC-250/FSX-6240050 |
| OEM: | 0209-91 |
| EQUIV 2: | |

JUNTA MOTOR COMPLETA GRAFITADA 8VAL TU3JP

SUPERSEAL



| | |
|------------------------------|-----------------|
| PG | |
| PG-206 1.6L 1999-2009 | |
| CODIGO | JMRP0110 |
| EQUIV 1: | JC-251 |
| OEM: | 0197-F1 |
| EQUIV 2: | |

JUNTA MOTOR COMPLETA GRAFITADA 16VAL TU5JP4
(PARTNER 04-12)

SUPERSEAL



| | |
|-------------------------------|-----------------|
| RT | |
| FLUENCE 2.0L 2011-2017 | |
| CODIGO | JMRR1000 |
| EQUIV 1: | JC-88 |
| OEM: | |
| EQUIV 2: | |

JUNTA MOTOR COMPLETA GRAFITADA 16VAL M4R (SAFRANE 2.0L 09-15)

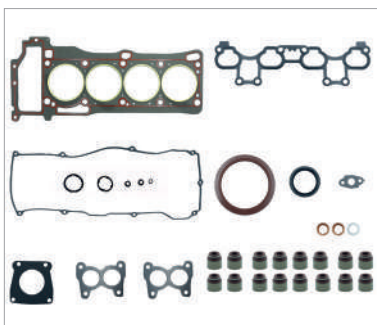
SUPERSEAL



| | |
|------------------------------|--------------------|
| RT | |
| MEGANE 2.0L 2005-2010 | |
| CODIGO | JMRR0300 |
| EQUIV 1: | JC-203/FSX-6540170 |
| OEM: | 77014-71886 |
| EQUIV 2: | |

JUNTA MOTOR COMPLETA GRAFITADA 16VAL F4R-740 (SCE-
NIC 2.0L 01-09)

SUPERSEAL



| | |
|-----------------------------|-----------------|
| RT | |
| SCALA 1.6L 2010-2013 | |
| CODIGO | JMRR0700 |
| EQUIV 1: | JC-81 |
| OEM: | 10101-8M025 |
| EQUIV 2: | |

JUNTA MOTOR COMPLETA GRAFITADA 16VAL QG16DE

SUPERSEAL



| | |
|-----------------------------|-----------------|
| SZ | |
| AERIO 2.3L 2004-2007 | |
| CODIGO | JMRY0200 |
| EQUIV 1: | JC-1001 |
| OEM: | |
| EQUIV 2: | |

JUNTA MOTOR COMPLETA GRAFITADA 16VAL J23A

SUPERSEAL



| | |
|------------------------------------|-----------------|
| SZ | |
| GRAND VITARA 2.4L 2006-2015 | |
| CODIGO | JMRY0100 |
| EQUIV 1: | JC-1005 |
| OEM: | 11400-57831 |
| EQUIV 2: | |

JUNTA MOTOR COMPLETA GRAFITADA 16VAL J24B (KIZASHI
2.4L 10-16)

SUPERSEAL



| | |
|----------------------------------|-----------------|
| SZ | |
| SWIFT 1.2L/1.4L 2012-2024 | |
| CODIGO | JMRY0320 |
| EQUIV 1: | JC-1004 |
| OEM: | 11400-69880 |
| EQUIV 2: | |

JUNTA MOTOR COMPLETA GRAF 16VAL K12B/K14B (IGNIS
17-24/CIAS 15-22/BALENO 21-24)

SUPERSEAL

JUNTA DE MOTOR COMPLETA



SZ

SWIFT 1.5L 2007-2017

| | |
|----------|-----------------|
| CODIGO | JMRY0300 |
| EQUIV 1: | JC-1000 |
| OEM: | 11400-69853 |

| | |
|----------|--|
| EQUIV 2: | |
|----------|--|

JUNTA MOTOR COMPLETA GRAFITADA 16VAL M15A

SUPERSEAL



SZ

SWIFT 1.6L 2012-2024

| | |
|----------|-----------------|
| CODIGO | JMRY0310 |
| EQUIV 1: | JC-1006 |
| OEM: | 11401-54831 |

| | |
|----------|--|
| EQUIV 2: | |
|----------|--|

JUNTA MOTOR COMPLETA GRAFITADA 16VAL M16A (VITARA 16-22/SX-4 15-20/S-CROSS 14-20)

SUPERSEAL



SZ

SX-4 2.0L 2007-2014

| | |
|----------|-----------------|
| CODIGO | JMRY0500 |
| EQUIV 1: | JC-1003 |
| OEM: | 11400-57831 |

| | |
|----------|--|
| EQUIV 2: | |
|----------|--|

JUNTA MOTOR COMPLETA GRAFITADA 16VAL J20B/MR20G (SX-4 CROSSOVER 07-14)

SUPERSEAL



TY

AVANZA 1.5L 2007-2015

| | |
|----------|-----------------|
| CODIGO | JMRT2010 |
| EQUIV 1: | JC-1324 |
| OEM: | 04111-23040 |

| | |
|----------|--|
| EQUIV 2: | |
|----------|--|

JUNTA MOTOR COMPLETA GRAFITADA 16VAL 3SZ-VE

SUPERSEAL



TY

AVANZA 1.5L 2016-2021

| | |
|----------|-----------------|
| CODIGO | JMRT2000 |
| EQUIV 1: | JC-1327 |
| OEM: | 04111-47130 |

| | |
|----------|--|
| EQUIV 2: | |
|----------|--|

JUNTA MOTOR COMPLETA GRAFITADA 16VAL 2NR-FE (YARIS 1.5L 16-22)

SUPERSEAL



TY

CAMRY 2.4L 2002-2011

| | |
|----------|-----------------|
| CODIGO | JMRT0150 |
| EQUIV 1: | JC-1308 |
| OEM: | |

| | |
|----------|-----------------------|
| EQUIV 2: | HIGHLANDER 2.4L 01-07 |
|----------|-----------------------|

JUNTA MOTOR COMPLETA GRAF 16VAL 2AZ-FE (COROLLA 09-13/RAV-4 01-05/MATRIX 09-14)

SUPERSEAL



TY

CAMRY 3.5L 2007-2017

| | |
|----------|---------------------|
| CODIGO | JMRT0151 |
| EQUIV 1: | JC-1320/FSX-8062031 |
| OEM: | 04111-31272 |

| | |
|----------|--|
| EQUIV 2: | |
|----------|--|

JUNTA MOTOR COMPLETA GRAF 24VAL 2GR-FE (RAV-4 06-12/SIENNA 06-15/HIGHLA 08-19)

SUPERSEAL



TY

COROLLA 1.8L 2009-2019

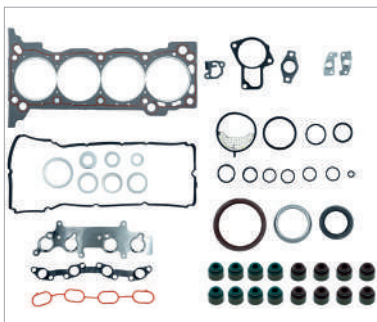
| | |
|----------|-----------------|
| CODIGO | JMRT0250 |
| EQUIV 1: | JC-1328 |
| OEM: | 04111-37316 |

| | |
|----------|--|
| EQUIV 2: | |
|----------|--|

JUNTA MOTOR COMPLETA GRAFITADA 16VAL 2ZR-FE (MATRIX 09-14/PRIUS 11-22)

SUPERSEAL

JUNTA DE MOTOR COMPLETA



TY

HIACE 2.7L 2005-2019

| | |
|----------|---------------------|
| CODIGO | JMRT0450 |
| EQUIV 1: | JC-1310/FSX-8040357 |
| OEM: | 04111-0C100 |

| | |
|----------|--|
| EQUIV 2: | |
|----------|--|

JUNTA MOTOR COMPLETA GRAFITADA 16VAL 2TR-FE (HI-LUX 2.7L 06-11)

SUPERSEAL



TY

RAV-4 2.5L 2013-2018

| | |
|----------|-----------------|
| CODIGO | JMRT0600 |
| EQUIV 1: | JC-1329 |
| OEM: | 04111-36132 |

| | |
|----------|--|
| EQUIV 2: | |
|----------|--|

JUNTA MOTOR COMPLETA GRAFITADA 16VAL 2AR-FE (CAMRY 12-17)

SUPERSEAL



TY

YARIS 1.5L 2006-2015

| | |
|----------|---------------------|
| CODIGO | JMRT0300 |
| EQUIV 1: | JC-1312/FSX-8040085 |
| OEM: | 04111-21030 |

| | |
|----------|--|
| EQUIV 2: | |
|----------|--|

JUNTA MOTOR COMPLETA GRAFITADA 16VAL 1NZ-FE

SUPERSEAL



VK

CARIBE 1.6L/1.7L 1977-1987

| | |
|----------|-------------------|
| CODIGO | JMRV1850 |
| EQUIV 1: | JC-92/FSX-8640130 |
| OEM: | |

| | |
|----------|--|
| EQUIV 2: | |
|----------|--|

JUNTA MOTOR COMPLETA GRAFITADA 8VAL VIN E/N (AT-LANTIC 81-87)

SUPERSEAL



VK

EUROVAN 1.9L TDI DIESEL 2005-2010

| | |
|----------|---------------------|
| CODIGO | JMRV1110 |
| EQUIV 1: | JC-90-1/FSX-8640150 |
| OEM: | |

| | |
|----------|--|
| EQUIV 2: | |
|----------|--|

JUNTA MOTOR COMPLETA GRAFITADA 8VAL AXB

SUPERSEAL



VK

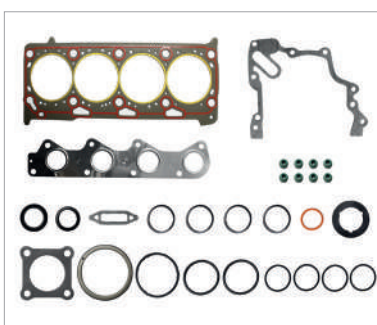
EUROVAN 2.5L GASOLINA 2000-2004

| | |
|----------|-------------------|
| CODIGO | JMRV1100 |
| EQUIV 1: | JC-90/FSX-8650010 |
| OEM: | 023-198-012A |

| | |
|----------|--|
| EQUIV 2: | |
|----------|--|

JUNTA MOTOR COMPLETA GRAFITADA 10VAL AAF/ACU/AET/AEU

SUPERSEAL



VK

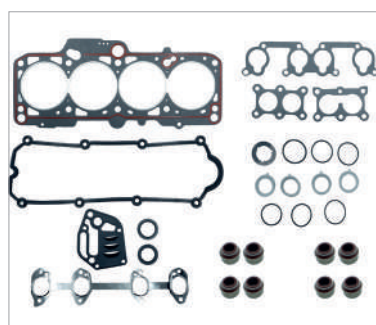
GOL 1.6L 2008-2021

| | |
|----------|-------------------|
| CODIGO | JMRV0600 |
| EQUIV 1: | JC-91/FSX-8640092 |
| OEM: | |

| | |
|----------|-----------------|
| EQUIV 2: | SPORT VAN 07-09 |
|----------|-----------------|

JUNTA MOTOR COMPLETA GRAF 8VAL EA111 (SAVEIRO/LUPO/POLO/CROSSFOX/IBIZA/CORDOBA)

SUPERSEAL



VK

JETTA A4/CLASICO 2.0L 1999-2015

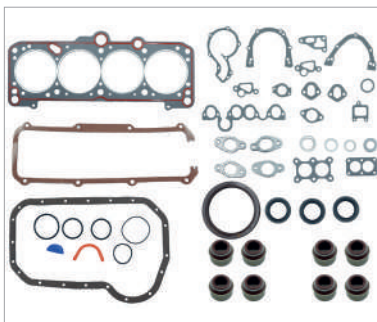
| | |
|----------|---------------------|
| CODIGO | JMRV0120 |
| EQUIV 1: | JC-99-1/FSX-8640165 |
| OEM: | 037-1981-012K |

| | |
|----------|--|
| EQUIV 2: | |
|----------|--|

JUNTA MOTOR COMPLETA GRAFITADA 8VAL BBX (BEETLE/GOLF A4-A5/POLO/IBIZA/CORDOBA)

SUPERSEAL

JUNTA DE MOTOR COMPLETA



VK

JETTA/GOLF A2/A3 1.8L 1987-1998

| | |
|----------|---------------------|
| CODIGO | JMRV0100 |
| EQUIV 1: | JC-93-1/FSX-8640133 |
| OEM: | 056-198-012G |

| | |
|----------|--|
| EQUIV 2: | |
|----------|--|

JUNTA MOTOR COMPLETA GARFITADA 8VAL VIN EN (CARI-
BE GT 1.8L/CORSAR/COMBI 1.8L)

SUPERSEAL



VK

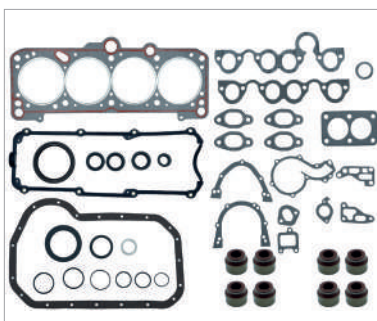
JETTA/GOLF A3 2.0L 1993-1998

| | |
|----------|-------------------|
| CODIGO | JMRV0110 |
| EQUIV 1: | JC-99/FSX-8640161 |
| OEM: | 037-198-012N |

| | |
|----------|--|
| EQUIV 2: | |
|----------|--|

JUNTA MOTOR COMPLETA GRAFITADA 8VAL 2E (PASSAT
93-98)

SUPERSEAL



VK

POINTER 1.8L 1998-2009

| | |
|----------|-------------------|
| CODIGO | JMRV0250 |
| EQUIV 1: | JC-94/FSX-8640135 |
| OEM: | 026-198-012DA |

| | |
|----------|--|
| EQUIV 2: | |
|----------|--|

JUNTA MOTOR COMPLETA GRAFITADA 8VAL AEG/AVH/AZG
(VAGONETA/PICK-UP 00-09/DERBY)

SUPERSEAL



VK

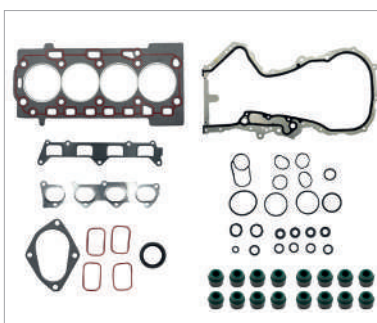
TRANSPORTER 2.0L DIESEL 2011-2020

| | |
|----------|-----------------|
| CODIGO | JMRV1120 |
| EQUIV 1: | JC-110 |
| OEM: | |

| | |
|----------|---------------------------|
| EQUIV 2: | BEETLE 12-16/TIGUAN 09-12 |
|----------|---------------------------|

JUNTA MOTOR COMPLETA GRAF 16VAL (JETTA 09-14/GRAF-
TER 08-18/AMAROK 10-20/GOLF A6)

SUPERSEAL



VK

VENTO 1.6L GAS 2014-2022

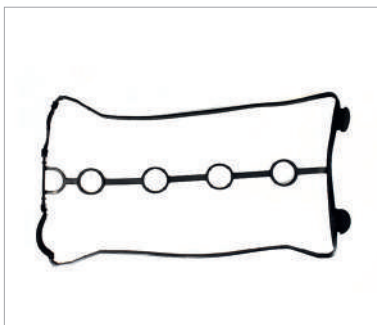
| | |
|----------|--------------------|
| CODIGO | JMRV0700 |
| EQUIV 1: | JC-103/FSX-8640162 |
| OEM: | 03H-103-383AH |

| | |
|----------|--|
| EQUIV 2: | |
|----------|--|

JUNTA MOTOR COMPLETA GRAFITADA 16VAL CLSA/CLPA
(TIGUAN TURBO 1.4L 13-17)

SUPERSEAL

JUNTA TAPA PUNTERIAS



| | |
|----------------------------|----------------------|
| CV | |
| AVEO 1.6L 2007-2017 | |
| CODIGO | JPRC9900 |
| EQUIV 1: | PS-31239/VSX-6040075 |
| OEM: | 96353002 |
| EQUIV 2: | |

JUNTA TAPA PUNTERIAS 16VAL LXT/LXV F16D3 (PT G3 06-09)

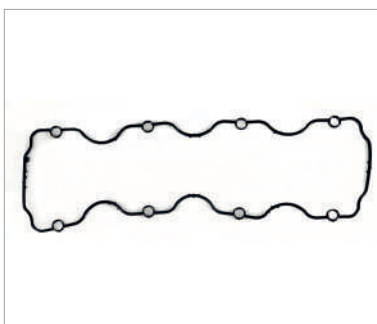
SUPERSEAL



| | |
|-----------------------------|----------------------|
| CV | |
| CHEVY 1.4L 1994-2000 | |
| CODIGO | JPRC0100 |
| EQUIV 1: | PS-31213/VSX-1640020 |
| OEM: | 90323853 |
| EQUIV 2: | |

JUNTA TAPA PUNTERIAS 8VAL C14NZ

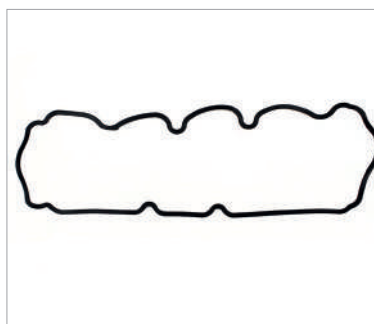
SUPERSEAL



| | |
|-------------------------------------|------------------------|
| CV | |
| CHEVY C-2/C-3 1.6L 2001-2012 | |
| CODIGO | JPRC0110 |
| EQUIV 1: | PS-31213-1/VSX-1640040 |
| OEM: | 90409594 |
| EQUIV 2: | |

JUNTA TAPA PUNTERIAS 8VAL C16N2/C16NE (CORSA 1.4L-1.8L/TORNADO 04-11)

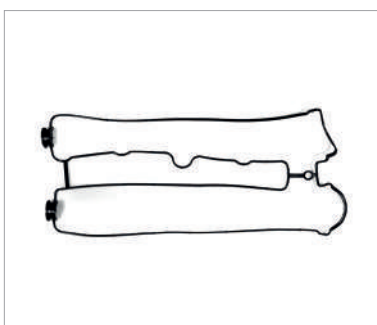
SUPERSEAL



| | |
|-----------------------------------|----------------------|
| CV | |
| MATIZ G1/G2 1.0L 2003-2015 | |
| CODIGO | JPRG0100 |
| EQUIV 1: | PS-31234/VSX-1640010 |
| OEM: | 96325175 |
| EQUIV 2: | |

JUNTA TAPA PUNTERIAS 8VAL S-TEC

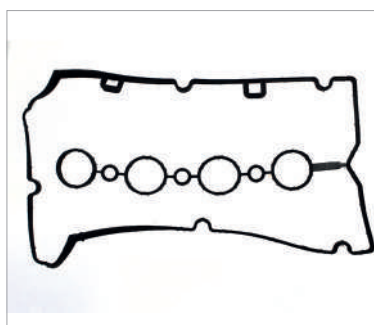
SUPERSEAL



| | |
|-----------------------------|----------------------|
| CV | |
| OPTRA 2.0L 2006-2010 | |
| CODIGO | JPRC1700 |
| EQUIV 1: | PS-31230/VSX-6040160 |
| OEM: | 90501944 |
| EQUIV 2: | |

JUNTA TAPA PUNTERIAS 4CIL 16VAL X20SE (ASTRA 2.4L 04-06)

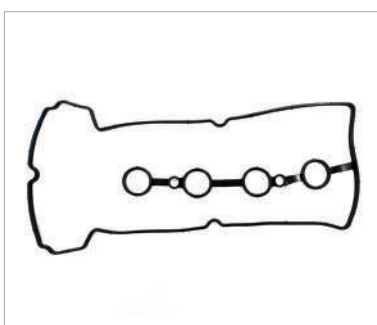
SUPERSEAL



| | |
|-----------------------------|----------------------|
| CV | |
| SONIC 1.6L 2012-2018 | |
| CODIGO | JPRC0900 |
| EQUIV 1: | PS-31238/VSX-7640050 |
| OEM: | 55354237 |
| EQUIV 2: | |

JUNTA TAPA PUNTERIAS 16VAL LDE (CRUZE-TRAX 1.8L LUW-A18XER)

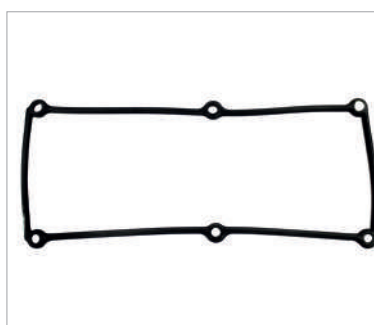
SUPERSEAL



| | |
|-----------------------------|-----------------------|
| CV | |
| SPARK 1.2L 2011-2017 | |
| CODIGO | JPRC0800 |
| EQUIV 1: | PS-312090/VSX-8940010 |
| OEM: | 96416270 |
| EQUIV 2: | |

JUNTA TAPA PUNTERIAS 16VAL SMARTECH II (BEAT 1.2L 18-21)

SUPERSEAL

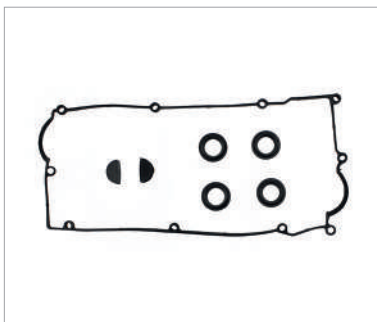


| | |
|---------------------------------|---------------------|
| CG | |
| ATOS 1.0L/1.1L 2000-2012 | |
| CODIGO | JPRK0100 |
| EQUIV 1: | PS-3111/VSX-3640001 |
| OEM: | 22441-02500 |
| EQUIV 2: | |

JUNTA TAPA PUNTERIAS 12VAL G4HC/G4HG

SUPERSEAL

JUNTA TAPA PUNTERIAS



DG

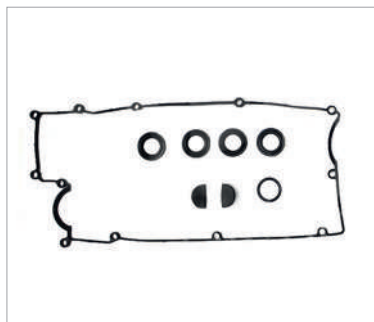
ATTITUDE 1.4L 2006-2011

| | |
|----------|-----------------|
| CODIGO | JPRK1100 |
| EQUIV 1: | PS-3113 |
| OEM: | 22441-26020 |

| | |
|----------|--|
| EQUIV 2: | |
|----------|--|

JUNTA TAPA PUNTERIAS 7PIEZAS 4CIL 16VAL G4EE

SUPERSEAL



DG

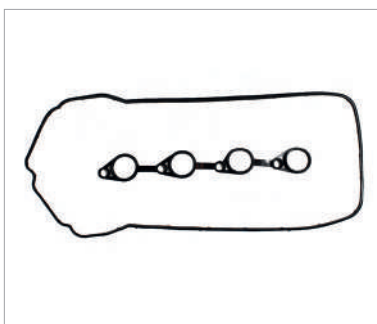
ATTITUDE 1.6L 2006-2011

| | |
|----------|---------------------|
| CODIGO | JPRK1110 |
| EQUIV 1: | PS-3116/VSX-3640060 |
| OEM: | 22441-26800/26801 |

| | |
|----------|--|
| EQUIV 2: | |
|----------|--|

JUNTA TAPA PUNTERIAS 7PIEZAS 4CIL 16VAL G4ED/ALPHA II (VERNA 1.6L)

SUPERSEAL



DG

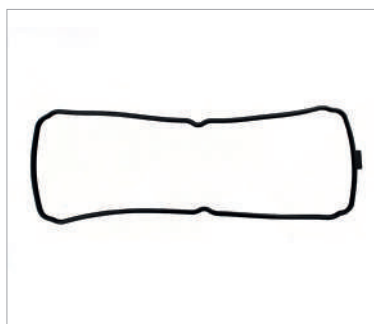
ATTITUDE 1.6L 2012-2014

| | |
|----------|---------------------|
| CODIGO | JPRK1120 |
| EQUIV 1: | PS-3451/VSX-3640061 |
| OEM: | 22441-03000 |

| | |
|----------|--|
| EQUIV 2: | |
|----------|--|

JUNTA TAPA PUNTERIAS 2PIEZAS 16VAL G4FC

SUPERSEAL



DG

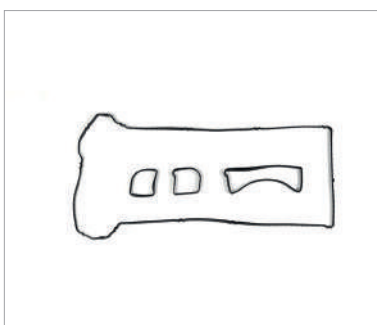
I-10 1.1L 2011-2014

| | |
|----------|---------------------|
| CODIGO | JPRK0800 |
| EQUIV 1: | PS-3120/VSX-3640015 |
| OEM: | 22441-02230 |

| | |
|----------|--|
| EQUIV 2: | |
|----------|--|

JUNTA TAPA PUNTERIAS 12VAL G4HG

SUPERSEAL



FD

ECOSPORT 2.0L 2004-2012

| | |
|----------|----------------------|
| CODIGO | JPRF1000 |
| EQUIV 1: | PS-31511/VSX-5340216 |
| OEM: | 1S7Z-6584BA |

| | |
|----------|--------------------|
| EQUIV 2: | MZ 3-5-6 2.3L-2.5L |
|----------|--------------------|

JUNTA TAPA PUNTERIAS 4PIEZAS 16VAL DURATEC-HE (RANGER-ESCAPE-FUSION 2.5L/CX-7)

SUPERSEAL



FD

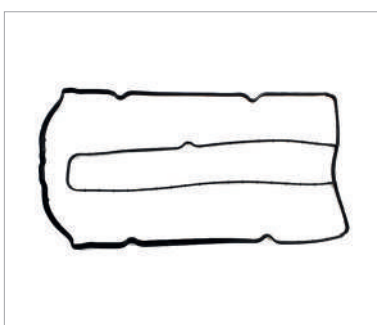
FIESTA FIRST 1.6L 2003-2010

| | |
|----------|----------------------|
| CODIGO | JPRF0200 |
| EQUIV 1: | PS-31523/VSX-2640017 |
| OEM: | XS6E-6584AC |

| | |
|----------|--|
| EQUIV 2: | |
|----------|--|

JUNTA TAPA PUNTERIAS 8VAL ZETEC-ROCAM (IKON 98-10/KA 01-08/COURIER 01-10)

SUPERSEAL



FD

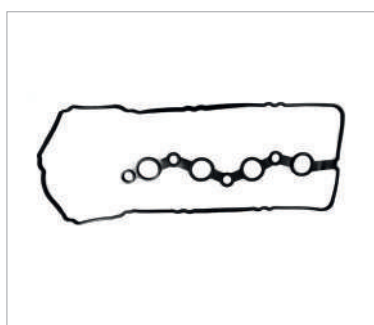
FIESTA IKON 1.6L 2011-2015

| | |
|----------|----------------------|
| CODIGO | JPRF0300 |
| EQUIV 1: | PS-31561/VSX-2640011 |
| OEM: | 4M5G-6K260CA |

| | |
|----------|--|
| EQUIV 2: | |
|----------|--|

JUNTA TAPA PUNTERIAS 16VAL ZETEC-TIVCT (FIESTA 1.6L 11-19)

SUPERSEAL



HY

GRAND I-10 1.2L 2015-2023

| | |
|----------|-----------------|
| CODIGO | JPRD0300 |
| EQUIV 1: | VSX-3640012 |
| OEM: | 22441-03050 |

| | |
|----------|--|
| EQUIV 2: | |
|----------|--|

JUNTA TAPA PUNTERIAS 16VAL G4LA

SUPERSEAL

JUNTA TAPA PUNTERIAS

NS

D-21 2/4WD 2.4L 1994-2007

| | |
|----------|--------------------|
| CODIGO | JPRN0200 |
| EQUIV 1: | PS-320/VSX-5840301 |
| OEM: | 12370-40F00 |

| | |
|----------|--|
| EQUIV 2: | |
|----------|--|



JUNTA TAPA PUNTERIAS 3PIEZAS 12VAL KA24E (ICHIVAN 88-94)

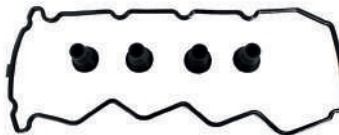
SUPERSEAL

NS

NP-300 (D-22) 4WD 2.5L 2008-2015

| | |
|----------|--------------------|
| CODIGO | JPRN0700 |
| EQUIV 1: | PS-338/VSX-5840290 |
| OEM: | |

| | |
|----------|--|
| EQUIV 2: | |
|----------|--|



JUNTA TAPA PUNTERIAS C/4GOMAS 16VAL YD25DDTI (DIESEL)

SUPERSEAL

NS

SENTRA B-15 1.8L 2001-2006

| | |
|----------|--------------------|
| CODIGO | JPRN1300 |
| EQUIV 1: | PS-331/VSX-5840215 |
| OEM: | 13270-4M700 |

| | |
|----------|--|
| EQUIV 2: | |
|----------|--|



JUNTA TAPA PUNTERIAS 16VAL QG18DE (ALMERA 1.8L 01-06)

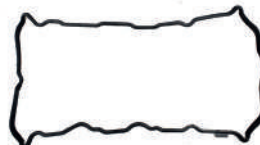
SUPERSEAL

NS

SENTRA B-16 2.5L 2007-2012

| | |
|----------|--------------------|
| CODIGO | JPRN1400 |
| EQUIV 1: | PS-336/VSX-5840295 |
| OEM: | 13270-JA00A |

| | |
|----------|--|
| EQUIV 2: | |
|----------|--|



JUNTA TAPA PUNTERIAS 16VAL QR25DE (X-TRAIL 08-14/ALTIMA 07-12/ROGUE 08-14)

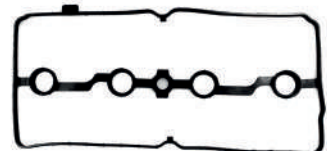
SUPERSEAL

NS

TIIDA 1.8L 2006-2017

| | |
|----------|--------------------|
| CODIGO | JPRN1100 |
| EQUIV 1: | PS-322/VSX-5840210 |
| OEM: | 13270-ET000 |

| | |
|----------|--------------------|
| EQUIV 2: | FLUENCE 2.0L 11-17 |
|----------|--------------------|



JUNTA TAPA PUNTERIAS 16VAL MR18DE B-16 2.0L MR20DE 07-10/B-17 1.8L MRA8DE 13-20

SUPERSEAL

NS

TS-II/TS-I 1.6L/1.5L 1984-1991

| | |
|----------|--------------------|
| CODIGO | JPRN0500 |
| EQUIV 1: | PS-319/VSX-5840170 |
| OEM: | 13270-50A00 |

| | |
|----------|--|
| EQUIV 2: | |
|----------|--|



JUNTA TAPA PUNTERIAS 8VAL E15/E16 (TS-II VAGONETA)

SUPERSEAL

NS

TS-III 1.6L 1992-1994

| | |
|----------|--------------------|
| CODIGO | JPRN0100 |
| EQUIV 1: | PS-321/VSX-5840172 |
| OEM: | 13270-57Y10 |

| | |
|----------|--|
| EQUIV 2: | |
|----------|--|



JUNTA TAPA PUNTERIAS 8VAL GA16DE

SUPERSEAL

NS

TS-III 1.6L 1995-2017

| | |
|----------|--------------------|
| CODIGO | JPRN0110 |
| EQUIV 1: | PS-329/VSX-5840175 |
| OEM: | 13270-73C10 |

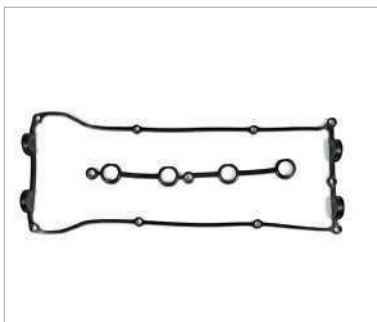
| | |
|----------|--|
| EQUIV 2: | |
|----------|--|



JUNTA TAPA PUNTERIAS MEDIA LUNA 16VAL GA16DNE (SENTRA B-14)

SUPERSEAL

JUNTA TAPA PUNTERIAS



NS

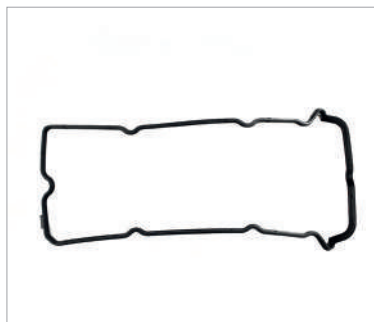
URVAN 2.4L 2002-2006

| | |
|----------|--------------------|
| CODIGO | JPRN0400 |
| EQUIV 1: | PS-330/VSX-5840305 |
| OEM: | 13270-70F01 |

| | |
|----------|--|
| EQUIV 2: | |
|----------|--|

JUNTA TAPA PUNTERIAS 2PIEZAS 16VAL KA24DE (NP-300 2WD 08-15/Frontier 96-01)

SUPERSEAL



NS

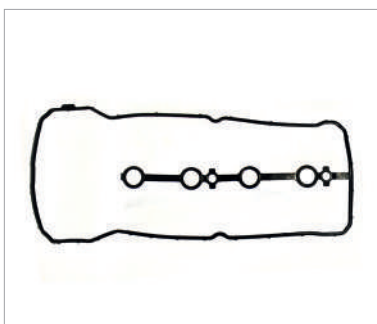
URVAN 2.5L GAS 2007-2012

| | |
|----------|--------------------|
| CODIGO | JPRN0410 |
| EQUIV 1: | PS-334/VSX-5840292 |
| OEM: | 13270-8H300/8H301 |

| | |
|----------|-------------|
| EQUIV 2: | ROGUE 08-14 |
|----------|-------------|

JUNTA TAPA PUNTERIAS 16VAL QR25DE (NV-350 13-22/X-TRAIL 01-14/ALTIMA 02-09)

SUPERSEAL



NS

VERSA 1.6L 2012-2019

| | |
|----------|--------------------|
| CODIGO | JPRN0900 |
| EQUIV 1: | PS-311/VSX-5840185 |
| OEM: | 13270-3HC0A |

| | |
|----------|--|
| EQUIV 2: | |
|----------|--|

JUNTA TAPA PUNTERIAS 16VAL HR16DE (V-DRIVE/MARCH/ TIIDA 1.6L/MICRA/NOTE)

SUPERSEAL



PG

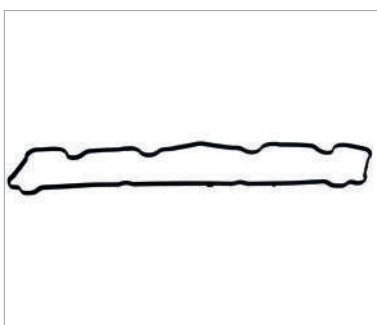
PG-206 1.4L 1999-2009

| | |
|----------|-----------------|
| CODIGO | JPRP0100 |
| EQUIV 1: | PS-3250 |
| OEM: | 0249-54 |

| | |
|----------|--|
| EQUIV 2: | |
|----------|--|

JUNTA TAPA PUNTERIAS 8VAL TU3JP (PG-207 CC 1.4L 09-11)

SUPERSEAL



PG

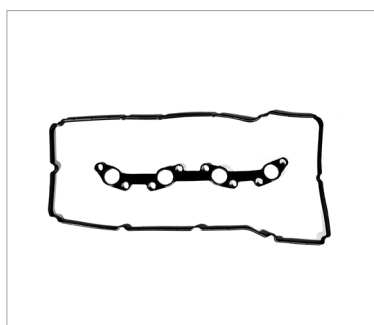
PG-206 1.6L 1999-2009

| | |
|----------|---------------------|
| CODIGO | JPRP0110 |
| EQUIV 1: | PS-3251/VSX-6240070 |
| OEM: | 0249-A9 |

| | |
|----------|--|
| EQUIV 2: | |
|----------|--|

JUNTA TAPA PUNTERIAS 16VAL TU5JP4 (PG-207 CC 1.6L 08-12)

SUPERSEAL



TY

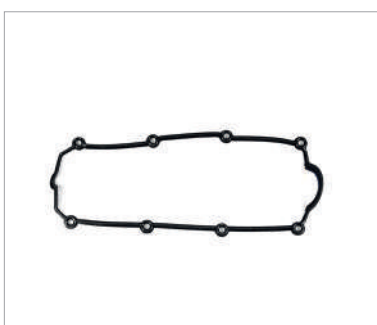
HIACE 2.7L 2005-2019

| | |
|----------|----------------------|
| CODIGO | JPRT0400 |
| EQUIV 1: | PS-31310/VSX-8040357 |
| OEM: | 11213-75040 |

| | |
|----------|--|
| EQUIV 2: | |
|----------|--|

JUNTA TAPA PUNTERIAS 2PIEZAS 16VAL 2TR-FE (HILUX 2.7L 06-11)

SUPERSEAL



VK

JETTA A4/CLASICO 2.0L 1999-2015

| | |
|----------|----------------------|
| CODIGO | JPRV0120 |
| EQUIV 1: | PS-399-1/VSX-8640165 |
| OEM: | 06A-103-483C |

| | |
|----------|--|
| EQUIV 2: | |
|----------|--|

JUNTA TAPA PUNTERIAS 8VAL BBX (BEETLE/GOLF A4-A5/ POLO/IBIZA/CORDOBA)

SUPERSEAL



VK

JETTA/GOLF A2/A3 1.8L 1987-1998

| | |
|----------|--------------------|
| CODIGO | JPRV0100 |
| EQUIV 1: | PS-392/VSX-8640130 |
| OEM: | 026 198 025A/C |

| | |
|----------|--|
| EQUIV 2: | |
|----------|--|

JUNTA TAPA PUNTERIAS 3PIEZAS 8VAL VIN EN (CARIBE GT 1.8L/CORSAR/COMBI 1.8L)

SUPERSEAL

JUNTA TAPA PUNTERIAS



VK

JETTA/GOLF A3 2.0L 1993-1998

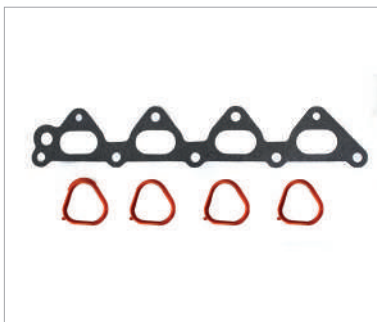
| | |
|----------|--------------------|
| CODIGO | JPRV0110 |
| EQUIV 1: | PS-394/VSX-8640135 |
| OEM: | 051-103-483A |

| | |
|----------|--|
| EQUIV 2: | |
| | |

JUNTA TAPA PUNTERIAS 8VAL 2E (DERBY-IBIZA-CORDOBA
1.6L 01-09/POINTER 98-09)

SUPERSEAL

JUNTA MULTIPLE ADMISIÓN Y ESCAPE



| | |
|----------------------------|------------------------|
| CV | |
| AVEO 1.6L 2007-2017 | |
| CODIGO | JURC9900 |
| EQUIV 1: | MU-41239-A/MIX-6040075 |
| OEM: | 96461130/96352947 |
| EQUIV 2: | |

JUNTA MULTIPLE ADMISION 5PIEZAS 16VAL LXT/LXV F16D3 (PT G3 06-09)

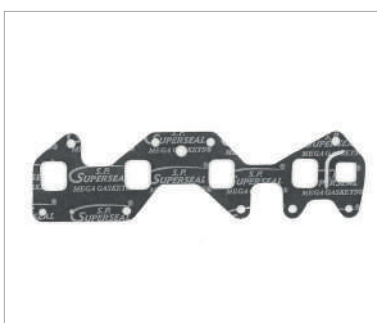
SUPERSEAL



| | |
|----------------------------|------------------------|
| CV | |
| AVEO 1.6L 2007-2017 | |
| CODIGO | JURC9950 |
| EQUIV 1: | MU-41239-E/MEX-6040075 |
| OEM: | 96378805 |
| EQUIV 2: | |

JUNTA MULTIPLE ESCAPE GRAFITADA 16VAL LXT/LXV F16D3 (PT G3 06-09)

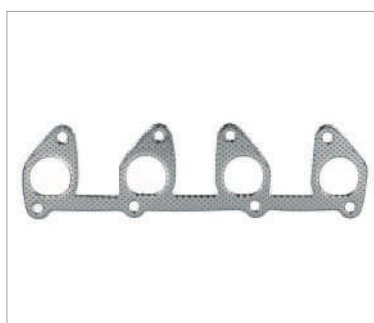
SUPERSEAL



| | |
|----------------------------------|-----------------------|
| CV | |
| CHEVY 1.4L/1.6L 1994-2012 | |
| CODIGO | JURC0100 |
| EQUIV 1: | MU-1213-A/MIX-1640021 |
| OEM: | 90323399 |
| EQUIV 2: | |

JUNTA MULTIPLE ADMISION 8VAL C14NZ/C16N2/C16NE (CUADRADO) (C-2/C-3)

SUPERSEAL



| | |
|----------------------------------|-----------------------|
| CV | |
| CHEVY 1.4L/1.6L 1994-2012 | |
| CODIGO | JURC0150 |
| EQUIV 1: | MU-1213-E/MEX-6040021 |
| OEM: | 93429950 |
| EQUIV 2: | |

JUNTA MULTIPLE ESCAPE GRAFITADA (C-2/C-3/CORSA 1.4L-1.8L/TORNADO 04-11)

SUPERSEAL



| | |
|----------------------------------|------------------------|
| CV | |
| CORSA 1.4L/1.8L 2003-2008 | |
| CODIGO | JURC0200 |
| EQUIV 1: | MU-41225-A/MIX-1640020 |
| OEM: | 13079600 |
| EQUIV 2: | |

JUNTA MULTIPLE ADMISION 8VAL C18NZ (TORNADO 04-11)

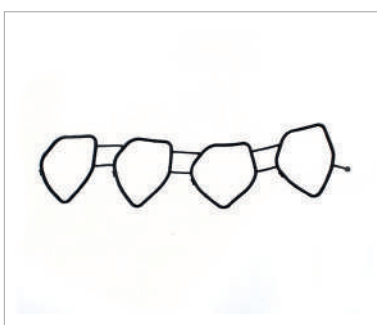
SUPERSEAL



| | |
|-----------------------------|------------------------|
| CV | |
| SPARK 1.2L 2011-2015 | |
| CODIGO | JURC0850 |
| EQUIV 1: | MU-41209-E/MEX-8940010 |
| OEM: | 96416309 |
| EQUIV 2: | |

JUNTA MULTIPLE ESCAPE METAL 16VAL SMARTECH II (BEAT 1.2L 18-21)

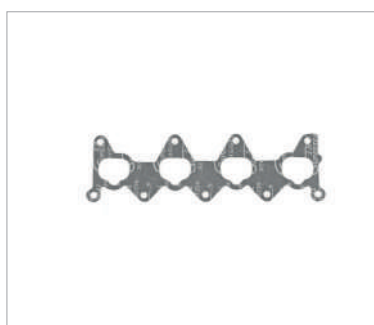
SUPERSEAL



| | |
|-----------------------------|------------------------|
| CV | |
| SPARK 1.2L 2011-2017 | |
| CODIGO | JURC0800 |
| EQUIV 1: | MU-41209-A/MIX-8940010 |
| OEM: | 96416314 |
| EQUIV 2: | |

JUNTA MULTIPLE ADMISION 16VAL SMARTECH II (BEAT 1.2L 18-21)

SUPERSEAL



| | |
|-------------------------------------|-----------------------|
| DG | |
| ATTITUDE 1.4L/1.6L 2006-2011 | |
| CODIGO | JURK1110 |
| EQUIV 1: | MU-4116-A/MIX-3640061 |
| OEM: | 28411-26900 |
| EQUIV 2: | |

JUNTA MULTIPLE ADMISION 4CIL 16VAL G4EE/G4ED/ALPHA II (VERNA 1.5L 04-06)

SUPERSEAL

JUNTA MULTIPLE ADMISIÓN Y ESCAPE



OG

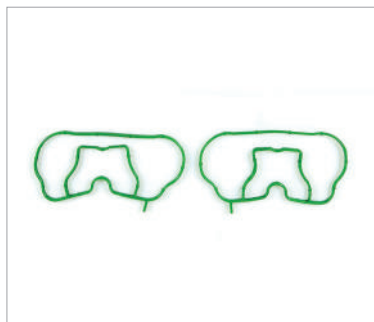
ATTITUDE 1.4L/1.6L 2006-2011

| | |
|----------|-----------------------|
| CODIGO | JURK1160 |
| EQUIV 1: | MU-4113-E/MEX-3640060 |
| OEM: | 28521-26600 |

EQUIV 2:

SUPERSEAL

JUNTA MULTIPLE ESCAPE METAL 4CIL 16VAL G4EE/G4ED/
ALPHA II (VERNA 1.5L 04-06)



FD

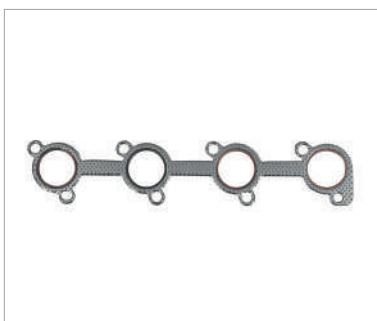
FIESTA FIRST 1.6L 2003-2010

| | |
|----------|------------------------|
| CODIGO | JURF0200 |
| EQUIV 1: | MU-41523-A/MIX-2640017 |
| OEM: | XS6E-9441BA |

EQUIV 2:

SUPERSEAL

JUNTA MULTIPLE ADMI 2PIEZAS 8VAL ZETEC-ROCAM (IKON
98-10/KA 01-08/COURIER 01-10)



FD

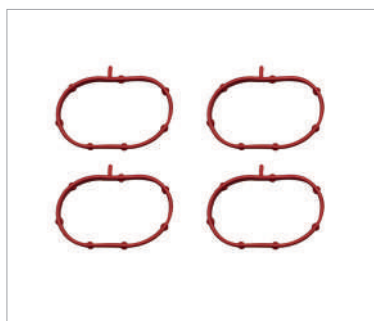
FIESTA FIRST 1.6L 2003-2010

| | |
|----------|------------------------|
| CODIGO | JURF0250 |
| EQUIV 1: | MU-41523-E/MEX-2640017 |
| OEM: | 2S6G-9448AD |

EQUIV 2:

SUPERSEAL

JUNTA MULTIPLE ESCAPE GRAF 8VAL ZETEC-ROCAM (IKON
98-10/KA 01-08/COURIER 01-10)



FD

FIESTA IKON 1.6L 2011-2015

| | |
|----------|------------------------|
| CODIGO | JURF0300 |
| EQUIV 1: | MU-41561-A/MIX-2640011 |
| OEM: | 4M5Z-9439A |

EQUIV 2:

SUPERSEAL

JUNTA MULTIPLE ADMISION 4PIEZAS 16VAL ZETEC-TIVCT
(FIESTA 1.6L 11-19)



FD

FIESTA IKON 1.6L 2011-2015

| | |
|----------|-----------------|
| CODIGO | JURF0350 |
| EQUIV 1: | MEX-2640011 |
| OEM: | 2S6G-9448DA |

EQUIV 2:

SUPERSEAL

JUNTA MULTIPLE ESCAPE GRAFITADA 16VAL ZETEC-TIVCT
(FIESTA 1.6L 11-19)



NS

D-21 2/4WD 2.4L 1994-2007

| | |
|----------|-------------------------|
| CODIGO | JURN0200 |
| EQUIV 1: | MU-420-A/1A/MIX-5840301 |
| OEM: | 14035-40F00 |

EQUIV 2:

SUPERSEAL

JUNTA MULTIPLE ADMISION 12VAL KA24E (ICHIVAN 88-94)



NS

D-21 2/4WD 2.4L 1994-2007

| | |
|----------|----------------------|
| CODIGO | JURN0250 |
| EQUIV 1: | MU-420-E/MEX-5840301 |
| OEM: | 14036-40F00 |

EQUIV 2:

SUPERSEAL

JUNTA MULTIPLE ESCAPE GRAFITADA 2PIEZAS 12VAL KA24E
(ICHIVAN 88-94)



NS

NV-350 2.5L GAS 2013-2022

| | |
|----------|----------------------|
| CODIGO | JURN0410 |
| EQUIV 1: | MU-436-A/MIX-5840294 |
| OEM: | 14035-8J001 |

EQUIV 2: ALTIMA 2.5L 02-09

SUPERSEAL

JUNTA MULTIPLE ADMISION 16VAL QR25DE/QRD25DE (UR-
VAN-SENTRA B-16-X-TRAIL 2.5L)

JUNTA MULTIPLE ADMISIÓN Y ESCAPE



NS

NV-350 2.5L GAS 2013-2022

| | |
|----------|----------------------|
| CODIGO | JURN0460 |
| EQUIV 1: | MU-434-E/MEX-5840292 |
| OEM: | 14036-6N200 |

| | |
|----------|-------------------|
| EQUIV 2: | ALTIMA 2.5L 02-09 |
|----------|-------------------|

JUNTA MULTIPLE ESCAPE METAL 16VAL QR25DE/QRD25DE (URVAN-SENTRA B-16-X-TRAIL 2.5L)

SUPERSEAL



NS

PLATINA 1.6L 2002-2010

| | |
|----------|-----------------------|
| CODIGO | JURN0300 |
| EQUIV 1: | MU-4201-A/MIX-6540109 |
| OEM: | 14080-00QAB |

| | |
|----------|--|
| EQUIV 2: | |
|----------|--|

JUNTA MULTIPLE ADMISION 16VAL K4M (APRIO/CLIO 1.6L/KANGOO)

SUPERSEAL



NS

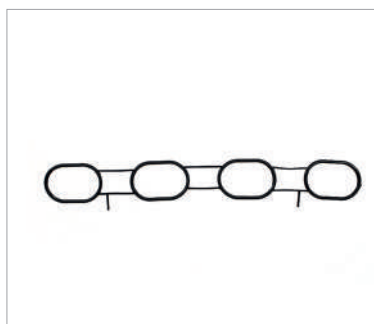
PLATINA 1.6L 2002-2010

| | |
|----------|-------------------------|
| CODIGO | JURN0350 |
| EQUIV 1: | MU-4201-E/MEX-6540109 |
| OEM: | 14036-00QAA/77001-07181 |

| | |
|----------|--|
| EQUIV 2: | |
|----------|--|

JUNTA MULTIPLE ESCAPE GRAFITADA 16VAL K4M (APRIO/CLIO 1.6L/KANGOO)

SUPERSEAL



NS

TIIDA 1.8L 2006-2017

| | |
|----------|-----------------------|
| CODIGO | JURN1100 |
| EQUIV 1: | MU-422-1A/MIX-5840210 |
| OEM: | 14035-EL00A |

| | |
|----------|--|
| EQUIV 2: | |
|----------|--|

JUNTA MULTIPLE ADMISION 16VAL MR18DE (B-16 2.0L MR-20DE 07-10)

SUPERSEAL



NS

TIIDA 1.8L 2006-2017

| | |
|----------|-----------------------|
| CODIGO | JURN1150 |
| EQUIV 1: | MU-422-1E/MEX-5840210 |
| OEM: | 14036-ED800 |

| | |
|----------|--|
| EQUIV 2: | |
|----------|--|

JUNTA MULTIPLE ESCAPE METAL 16VAL MR18DE (B-16 2.0L MR20DE 07-10)

SUPERSEAL



NS

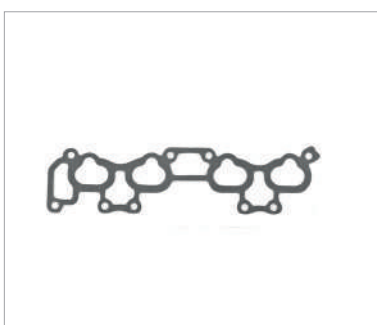
TIIDA 1.8L 2006-2017

| | |
|----------|----------------------|
| CODIGO | JURN1160 |
| EQUIV 1: | MU-443-E/MEX-5840210 |
| OEM: | 14036-ED800 |

| | |
|----------|--|
| EQUIV 2: | |
|----------|--|

JUNTA MULTIPLE ESCAPE GRAFITADA 16VAL MR18DE (B-16 2.0L MR20DE 07-10)

SUPERSEAL



NS

TS-III 1.6L 1992-2017

| | |
|----------|----------------------|
| CODIGO | JURN0100 |
| EQUIV 1: | MU-421-A/MIX-5840172 |
| OEM: | 14035-53Y00 |

| | |
|----------|--|
| EQUIV 2: | |
|----------|--|

JUNTA MULTIPLE ADMISION 8VAL/16VAL GA16DE/GA16DNE (SENTRA B-14)

SUPERSEAL



NS

TS-III 1.6L 1992-2017

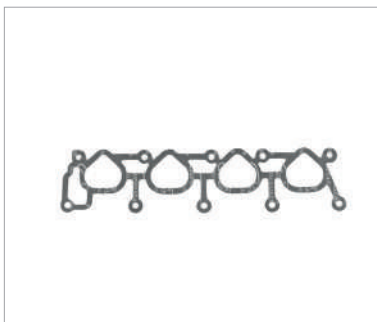
| | |
|----------|----------------------|
| CODIGO | JURN0150 |
| EQUIV 1: | MU-421-E/MEX-5840172 |
| OEM: | 14036-53Y00 |

| | |
|----------|--|
| EQUIV 2: | |
|----------|--|

JUNTA MULTIPLE ESCAPE GRAFITADA 2PIEZAS 8VAL/16VAL GA16DE/GA16DNE (B-14/B-15)

SUPERSEAL

JUNTA MULTIPLE ADMISIÓN Y ESCAPE



NS

URVAN 2.4L 2002-2006

| | |
|----------|----------------------|
| CODIGO | JURN0400 |
| EQUIV 1: | MU-430-A/MIX-5840305 |
| OEM: | 14035-53F00 |

| | |
|----------|--|
| EQUIV 2: | |
|----------|--|

JUNTA MULTIPLE ADMI 16VAL KA24DE (NP-300 2WD 08-15/
FRONTIER 96-01/X-TERRA 00-04)

SUPERSEAL



NS

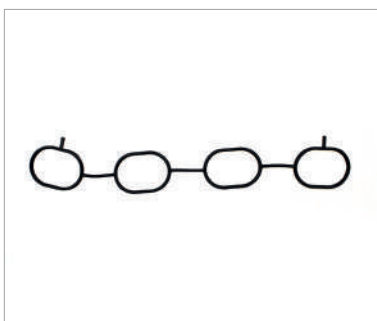
URVAN 2.4L 2002-2006

| | |
|----------|----------------------|
| CODIGO | JURN0450 |
| EQUIV 1: | MU-430-E/MEX-5840305 |
| OEM: | 14036-53F01 |

| | |
|----------|----------------|
| EQUIV 2: | FRONTIER 96-01 |
|----------|----------------|

JUNTA MULTIPLE ESCAPE GRAF 4PIEZAS 16VAL KA24DE
(NP-300 2WD 08-15/X-TERRA 00-04)

SUPERSEAL



NS

VERSA 1.6L 2012-2019

| | |
|----------|----------------------|
| CODIGO | JURN0900 |
| EQUIV 1: | MU-411-A/MIX-5840185 |
| OEM: | 14035-1HK0A |

| | |
|----------|--|
| EQUIV 2: | |
|----------|--|

JUNTA MULTIPLE ADMISION 16VAL HR16DE (V-DRIVE/
MARCH/MICRA/MICRA/NOTE)

SUPERSEAL



NS

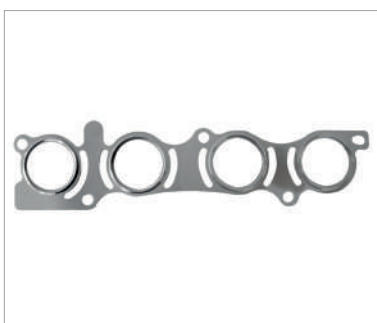
VERSA 1.6L 2012-2019

| | |
|----------|-----------------|
| CODIGO | JURN0950 |
| EQUIV 1: | MEX-5840185 |
| OEM: | MU-411-EK |

| | |
|----------|--|
| EQUIV 2: | |
|----------|--|

JUNTA MULTIPLE ESCAPE GRAF 16VAL HR16DE (V-DRIVE/
MARCH/TIIDA 1.6L/MICRA/NOTE)

SUPERSEAL



NS

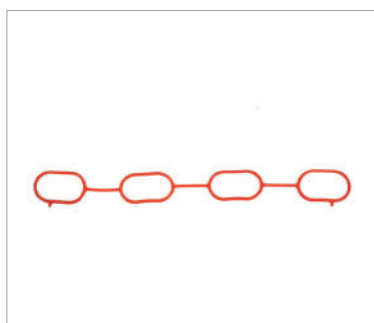
VERSA 1.6L 2012-2019

| | |
|----------|-----------------|
| CODIGO | JURN0960 |
| EQUIV 1: | |
| OEM: | MU-411-ES |

| | |
|----------|--|
| EQUIV 2: | |
|----------|--|

JUNTA MULTIPLE ESCAPE METAL 16VAL HR16DE (V-DRIVE/
MARCH/TIIDA 1.6L/MICRA/NOTE)

SUPERSEAL



TY

HIACE 2.7L 2005-2019

| | |
|----------|------------------------|
| CODIGO | JURT0400 |
| EQUIV 1: | MU-41310-A/MIX-8040357 |
| OEM: | 17177-0C010 |

| | |
|----------|--|
| EQUIV 2: | |
|----------|--|

JUNTA MULTIPLE ADMISION 16VAL 2TR-FE (HILUX 2.7L 06-
11)

SUPERSEAL



TY

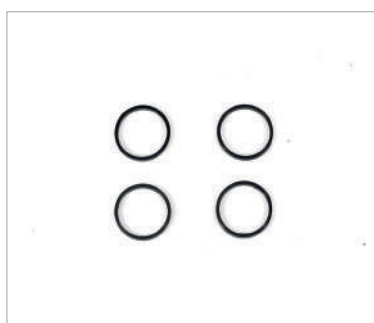
HIACE 2.7L 2005-2019

| | |
|----------|------------------------|
| CODIGO | JURT0450 |
| EQUIV 1: | MU-41310-E/MEX-8040357 |
| OEM: | 17173-0C020 |

| | |
|----------|--|
| EQUIV 2: | |
|----------|--|

JUNTA MULTIPLE ESCAPE METAL 16VAL 2TR-FE (HILUX 2.7L
06-11)

SUPERSEAL



VK

GOL 1.6L 2008-2021

| | |
|----------|----------------------|
| CODIGO | JURV0600 |
| EQUIV 1: | MU-491-A/MIX-8640090 |
| OEM: | 030-198-717 |

| | |
|----------|-----------------|
| EQUIV 2: | SPORT VAN 07-09 |
|----------|-----------------|

JUNTA MULTIPLE ADMISION 4PZAS 8VAL EA111 (SAVEI-
RO-LUPO-POLO 1.6L/CROSSFOX 1.6L)

SUPERSEAL

JUNTA MULTIPLE ADMISIÓN Y ESCAPE



VK

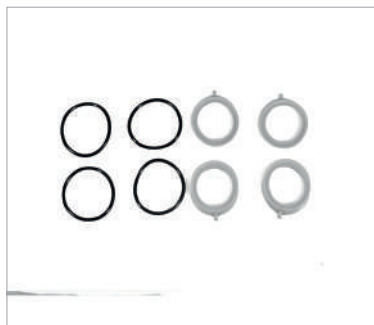
GOL 1.6L 2008-2021

| | |
|----------|----------------------|
| CODIGO | JURV0650 |
| EQUIV 1: | MU-491-E/MEX-8640090 |
| OEM: | 030-253-039H/K |

| | |
|----------|-----------------|
| EQUIV 2: | SPORT VAN 07-09 |
|----------|-----------------|

JUNTA MULTIPLE ESCAPE METAL 8VAL EA111 (SAVEIRO-LU-PO-POLO 1.6L/CROSSFOX 1.6L)

SUPERSEAL



VK

JETTA A4/CLASICO 2.0L 1999-2015

| | |
|----------|-----------------------|
| CODIGO | JURV0110 |
| EQUIV 1: | MU-499-1A/MIX-8640165 |
| OEM: | 06A-129-717C |

| | |
|----------|--|
| EQUIV 2: | |
|----------|--|

JUNTA MULTIPLE ADMISION 8LIGAS 8VAL BBX (BEETLE/GOLF A4-A5/POLO/IBIZA/CORDOBA)

SUPERSEAL



VK

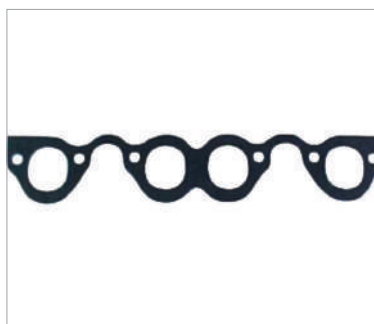
JETTA A4/CLASICO 2.0L 1999-2015

| | |
|----------|------------------------|
| CODIGO | JURV0160 |
| EQUIV 1: | MU-499-1-E/MEX-8640165 |
| OEM: | 06A-253-039L |

| | |
|----------|--|
| EQUIV 2: | |
|----------|--|

JUNTA MULTIPLE ESCAPE METAL 8VAL BBX (BEETLE/GOLF A4-A5/POLO/IBIZA/CORDOBA)

SUPERSEAL



VK

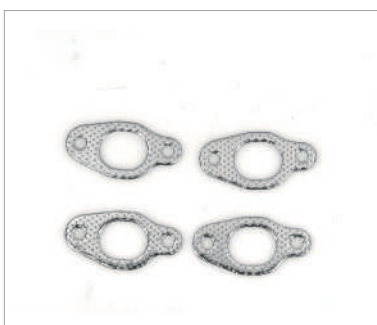
JETTA/GOLF A2/A3 1.8L 1987-1998

| | |
|----------|----------------------|
| CODIGO | JURV0100 |
| EQUIV 1: | MU-492-A/MIX-8640130 |
| OEM: | 068-103-717E/JC-92MA |

| | |
|----------|--|
| EQUIV 2: | |
|----------|--|

JUNTA MULTIPLE ADMISION 8VAL VIN EN (CARIBE GT 1.8L/CORSAR/COMBI 1.8L)

SUPERSEAL



VK

JETTA/GOLF A2/A3 1.8L 1987-1998

| | |
|----------|----------------------|
| CODIGO | JURV0150 |
| EQUIV 1: | MU-492-E/MEX-8640130 |
| OEM: | 028-129-589A |

| | |
|----------|------------------------|
| EQUIV 2: | CARIBE GT/COMBI/CORSAR |
|----------|------------------------|

JUNTA MULTIPLE ESCAPE GRAF 4PIEZAS 8VAL VIN EN/AEG/AVH/AZG (POINTER/EUROVAN 2.5L)

SUPERSEAL



VK

VENTO 1.6L GAS 2014-2022

| | |
|----------|-----------------|
| CODIGO | JURV0700 |
| EQUIV 1: | |
| OEM: | 03C-129-717C |

| | |
|----------|--|
| EQUIV 2: | |
|----------|--|

JUNTA MULTIPLE ADMISION METAL 16VAL CLSA/CLPA (TI-GUAN TURBO 1.4L 13-17)

SUPERSEAL



VK

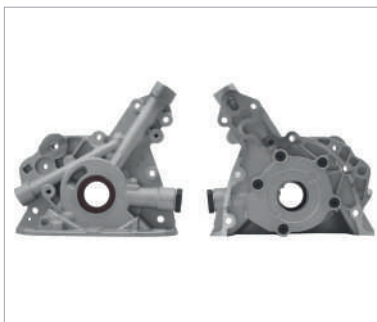
VENTO 1.6L GAS 2014-2022

| | |
|----------|-----------------|
| CODIGO | JURV0750 |
| EQUIV 1: | MU-4103-E |
| OEM: | 03C-253-039D |

| | |
|----------|--|
| EQUIV 2: | |
|----------|--|

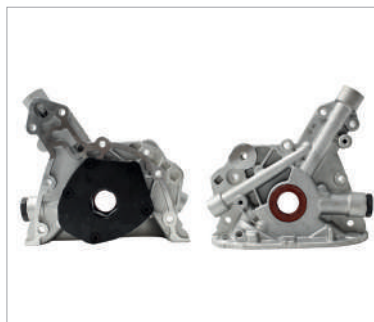
JUNTA MULTIPLE ESCAPE METAL 16VAL CLSA/CLPA (TI-GUAN TURBO 1.4L 13-17)

SUPERSEAL



| | |
|----------------------------|-------------------|
| CV | |
| AVEO 1.6L 2007-2017 | |
| CODIGO | MBNC9900 |
| EQUIV 1: | MA275 |
| OEM: | 96386934/25182606 |
| EQUIV 2: | |

BOMBA ACEITE LXT/LXV (PT G3 06-09)



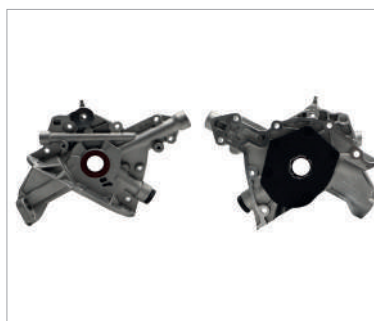
| | |
|----------------------------------|-----------------|
| CV | |
| CHEVY 1.4L/1.6L 1994-2012 | |
| CODIGO | MBNC0100 |
| EQUIV 1: | MA6325 |
| OEM: | 93440777 |
| EQUIV 2: | |

BOMBA ACEITE (C-2/C-3/CHEVY PICK-UP 1.6L 99-04)



| | |
|----------------------------------|-----------------|
| CV | |
| CHEVY 1.4L/1.6L 1994-2012 | |
| CODIGO | MBNC0110 |
| EQUIV 1: | |
| OEM: | 93328876 |
| EQUIV 2: | |

TAPA DISTRIBUCION (JGO 3 PIEZAS) (C-2/C-3)



| | |
|-----------------------------------|-----------------|
| CV | |
| CORSA 1.8L SEDAN 2003-2008 | |
| CODIGO | MBNC0200 |
| EQUIV 1: | CM6329 |
| OEM: | 93377141 |
| EQUIV 2: | |

BOMBA ACEITE SE/CIGUEÑAL LARGO (TORNADO 04-11/ME-RIVA 04-08/ASTRA 04-09)



| | |
|-----------------------------|-----------------|
| CV | |
| OPTRA 2.0L 2006-2010 | |
| CODIGO | MBNC1700 |
| EQUIV 1: | MA6317/CMA306 |
| OEM: | 90411567/8 |
| EQUIV 2: | |

BOMBA ACEITE X20SE (ASTRA 2.0L 04-06)



| | |
|---------------------------------|---------------------|
| CG | |
| ATOS 1.0L/1.1L 2000-2012 | |
| CODIGO | MBNK0100 |
| EQUIV 1: | MA300 |
| OEM: | 21310-02550/5069768 |
| EQUIV 2: | |

BOMBA ACEITE G4HC/G4HG (I-10 1.1L 11-14)



| | |
|---------------------------|-----------------|
| NS | |
| 720 1.8L 1986-1993 | |
| CODIGO | MBNN0600 |
| EQUIV 1: | |
| OEM: | 15010-24W00 |
| EQUIV 2: | |

BOMBA ACEITE J15/J16 CUELLO CORTO



| | |
|----------------------------------|-------------------|
| NS | |
| D-21 2/4WD 2.4L 1994-2007 | |
| CODIGO | MBNN0200 |
| EQUIV 1: | |
| OEM: | 13501-40F11/40F00 |
| EQUIV 2: | |

TAPA DISTRIBUCION 12VAL KA24E





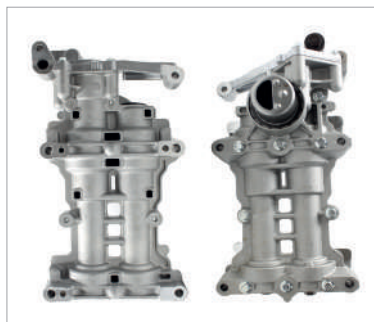
NS

D-21 2/4WD 2.4L 1994-2007

| | |
|----------|-----------------|
| CODIGO | MBNN0210 |
| EQUIV 1: | MA21222 |
| OEM: | 15010-V0300 |

| | |
|----------|--|
| EQUIV 2: | |
|----------|--|

BOMBA ACEITE KA24E/KA24DE (URVAN 2.4L/D-22 2.4L 08-15/Z-24S/Z-20/X-TERRA 2.4L)



NS

NV-350 2.5L 2013-2015

| | |
|----------|-----------------|
| CODIGO | MBNN0410 |
| EQUIV 1: | MA8003 |
| OEM: | 12410-MA00D |

| | |
|----------|--|
| EQUIV 2: | |
|----------|--|

BOMBA ACEITE QR25DE (URVAN 2.5L 07-12)



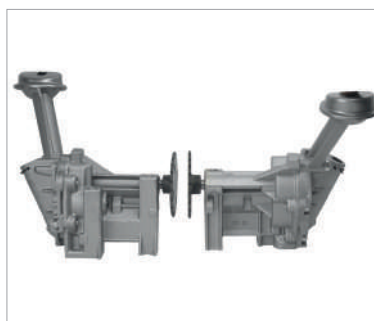
NS

NV-350 2.5L 2016-2022

| | |
|----------|---------------------------|
| CODIGO | MBNN0420 |
| EQUIV 1: | |
| OEM: | 12410-MA01D/02D/4JM0A/M1A |

| | |
|----------|--|
| EQUIV 2: | |
|----------|--|

BOMBA ACEITE QR25DE (NP-300 D-23 2.5L 16-24)



NS

PLATINA 1.6L 2002-2010

| | |
|----------|-----------------|
| CODIGO | MBNN0300 |
| EQUIV 1: | MA6633/CM6633 |
| OEM: | 82001-01970 |

| | |
|----------|--|
| EQUIV 2: | |
|----------|--|

BOMBA ACEITE 22DIENTES K4M (APRIO/CLIO 1.6L/KANGOO/SANDERO 10-11)



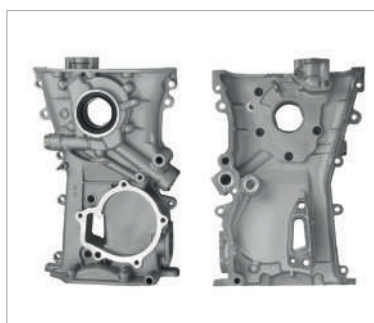
NS

TIIDA 1.8L 2006-2017

| | |
|----------|-----------------|
| CODIGO | MBNN1100 |
| EQUIV 1: | MA21216/CM21216 |
| OEM: | 15010-EM30B |

| | |
|----------|--|
| EQUIV 2: | |
|----------|--|

BOMBA ACEITE MR18DE (CUBE 09-14)



NS

TS-III 1.6L 1995-2017

| | |
|----------|-----------------|
| CODIGO | MBNN0100 |
| EQUIV 1: | MA273/CM21206 |
| OEM: | 13500-53Y00 |

| | |
|----------|--|
| EQUIV 2: | |
|----------|--|

BOMBA ACEITE TAPA DISTRIBUCION GA16DNE 16VAL (TSUBAME 92-04/LUCINO 96-00)



NS

VERSA 1.6L 2012-2019

| | |
|----------|-----------------|
| CODIGO | MBNN0900 |
| EQUIV 1: | MA8000 |
| OEM: | 15010-3AA0A |

| | |
|----------|--|
| EQUIV 2: | |
|----------|--|

BOMBA ACEITE HR16DE (V-DRIVE/MARCH 11-24/TIIDA 1.6L 12-15/NOTE 14-19)



VK

JETTA/GOLF A2/A3 1.8L 1987-1998

| | |
|----------|-----------------|
| CODIGO | MBNV0100 |
| EQUIV 1: | MA6070 |
| OEM: | 027-115-105E |

| | |
|----------|--|
| EQUIV 2: | |
|----------|--|

BOMBA ACEITE PUNTA PLANA (POINTER 1.8L 98-09/VAGONETA/PICK-UP 00-09)





| | |
|----------------------------|-----------------|
| CV | |
| AVEO 1.6L 2007-2017 | |
| CODIGO | MDNC9900 |
| EQUIV 1: | |
| OEM: | 25192208 |
| EQUIV 2: | |

TAPA PUNTERIAS (PT G3 06-09)



| | |
|-------------------------------------|-----------------|
| CV | |
| CHEVY C-2/C-3 1.6L 2001-2012 | |
| CODIGO | MDNC0100 |
| EQUIV 1: | |
| OEM: | 94670482 |
| EQUIV 2: | |

TAPA PUNTERIAS (CORSA 03-08/TORNADO 04-11/MERIVA 04-08)



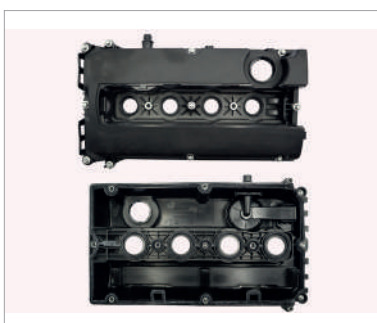
| | |
|-----------------------------|-----------------|
| CV | |
| OPTRA 2.0L 2006-2010 | |
| CODIGO | MDNC1700 |
| EQUIV 1: | |
| OEM: | 92068243 |
| EQUIV 2: | |

TAPA PUNTERIAS TOMA CURVA (ASTRA 2.4L 04-06)



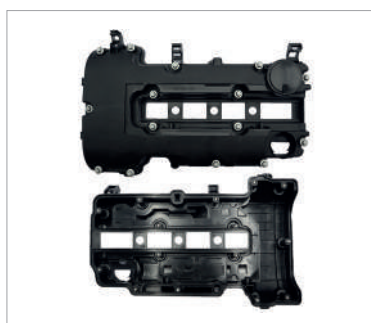
| | |
|-----------------------------|-----------------|
| CV | |
| OPTRA 2.0L 2006-2010 | |
| CODIGO | MDNC1710 |
| EQUIV 1: | |
| OEM: | 92062396 |
| EQUIV 2: | |

TAPA PUNTERIAS TOMA RECTA (ASTRA 2.0L-2.4L 04-06)



| | |
|-----------------------------|-----------------|
| CV | |
| SONIC 1.6L 2012-2018 | |
| CODIGO | MDNC0900 |
| EQUIV 1: | |
| OEM: | 55564395 |
| EQUIV 2: | |

TAPA PUNTERIAS (TRAX 1.8L 13-20/CRUZE 1.8L 10-15)



| | |
|----------------------------|-----------------|
| CV | |
| TRAX 1.4L 2013-2020 | |
| CODIGO | MDNC0700 |
| EQUIV 1: | |
| OEM: | 55573746 |
| EQUIV 2: | |

TAPA PUNTERIAS (CRUZE 1.4L 16-18/SONIC TURBO 1.4L)



| | |
|-------------------------------------|-----------------|
| DG | |
| GRAND CARAVAN 3.3L 2001-2007 | |
| CODIGO | MDNK0700 |
| EQUIV 1: | |
| OEM: | 4648976AB |
| EQUIV 2: | |

TAPA PUNTERIAS (TOWN & COUNTRY-VOYAGER 3.3L/PACIFICA 3.8L 04-08)



| | |
|-------------------------------------|-----------------|
| DG | |
| GRAND CARAVAN 3.6L 2008-2019 | |
| CODIGO | MDNK0701 |
| EQUIV 1: | |
| OEM: | 5184068AN |
| EQUIV 2: | |

TAPA PUNTERIAS DER (JOURNEY-TOWN & COUNTRY-DU-RANGO-CHARGER-CHALLENGER 3.6L)





| | |
|-------------------------------------|-----------------|
| DG | |
| GRAND CARAVAN 3.6L 2008-2019 | |
| CODIGO | MDNK0702 |
| EQUIV 1: | |
| OEM: | 5184069AM |
| EQUIV 2: | |

TAPA PUNTERIAS IZQ (JOURNEY-TOWN & COUNTRY-DU-RANGO-CHARGER-CHALLENGER 3.6L)



| | |
|-------------------------------|-----------------|
| DG | |
| JOURNEY 2.4L 2009-2020 | |
| CODIGO | MDNK8100 |
| EQUIV 1: | |
| OEM: | 4884760AF |
| EQUIV 2: | |

TAPA PUNTERIAS (COMPASS-PATRIOT 07-17/CALIBER 07-12/AVENGER 07-14/200 11-14)



| | |
|-------------------------------|-----------------|
| DG | |
| JOURNEY 3.5L 2009-2011 | |
| CODIGO | MDNK8110 |
| EQUIV 1: | |
| OEM: | 4892185AC |
| EQUIV 2: | |

TAPA PUNTERIAS



| | |
|--------------------------------|------------------|
| DG | |
| RAM 1500 3.7L 2002-2013 | |
| CODIGO | MDNK0301 |
| EQUIV 1: | |
| OEM: | 53021938AA/AB/AC |
| EQUIV 2: | |

TAPA PUNTERIAS DER (LIBERTY-NITRO-DURANGO-DAKOTA-GRAND CHEROKEE-COMMANDER 3.7L)



| | |
|--------------------------------|------------------|
| DG | |
| RAM 1500 3.7L 2002-2013 | |
| CODIGO | MDNK0302 |
| EQUIV 1: | |
| OEM: | 53021937AA/AB/AC |
| EQUIV 2: | |

TAPA PUNTERIAS IZQ (LIBERTY-NITRO-DURANGO-DAKOTA-GRAND CHEROKEE-COMMANDER 3.7L)



| | |
|--------------------------------|-----------------|
| DG | |
| RAM 1500 4.7L 2002-2013 | |
| CODIGO | MDNK0311 |
| EQUIV 1: | |
| OEM: | 53021828AA |
| EQUIV 2: | |

TAPA PUNTERIAS DER (DURANGO-DAKOTA-ASPEN-GRAND CHEROKEE-COMMANDER 4.7L)



| | |
|--------------------------------|-----------------|
| DG | |
| RAM 1500 4.7L 2002-2013 | |
| CODIGO | MDNK0312 |
| EQUIV 1: | |
| OEM: | 53021829AA/AD |
| EQUIV 2: | |

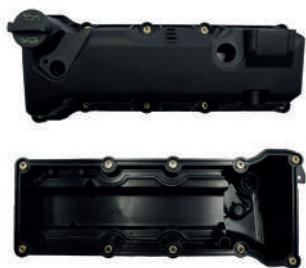
TAPA PUNTERIAS IZQ (DURANGO-DAKOTA-ASPEN-GRAND CHEROKEE-COMMANDER 4.7L)



| | |
|------------------------------|-----------------|
| FD | |
| ESCAPE 2.0L 2013-2019 | |
| CODIGO | MDNF0500 |
| EQUIV 1: | |
| OEM: | CJ5E-6K271C |
| EQUIV 2: | |

TAPA PUNTERIAS (FUSION 2.0L 13-20/EDGE 2.0L 15-22/MUSTANG 2.3L 18-22)



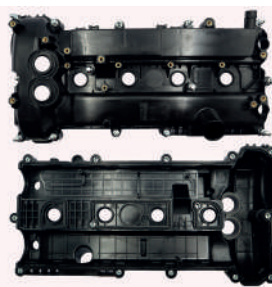


FD

FIESTA IKON 1.6L 2001-2007

| | |
|----------|-----------------|
| CODIGO | MDNF0300 |
| EQUIV 1: | |
| OEM: | 2S6G-6M293A1B |
| EQUIV 2: | |

TAPA PUNTERIAS (COURIER 01-10/KA 01-08)



FD

FOCUS 2.0L 2012-2018

| | |
|----------|-----------------|
| CODIGO | MDNF0100 |
| EQUIV 1: | |
| OEM: | BB5E-6K271A |
| EQUIV 2: | |

TAPA PUNTERIAS



FD

TRANSIT 2.2L 2014-2020

| | |
|----------|-----------------|
| CODIGO | MDNF0610 |
| EQUIV 1: | |
| OEM: | BK2Q-6K271AK |
| EQUIV 2: | |

TAPA PUNTERIAS (PASAJEROS)



FD

TRANSIT 2.2L TDI 2007-2013

| | |
|----------|-----------------|
| CODIGO | MDNF0600 |
| EQUIV 1: | |
| OEM: | BC1Q-6K271AA |
| EQUIV 2: | |

TAPA PUNTERIAS



NS

ALTIMA 3.5L 2002-2006

| | |
|----------|-----------------|
| CODIGO | MDNN3200 |
| EQUIV 1: | |
| OEM: | 13264-ZA30A |
| EQUIV 2: | |

TAPA PUNTERIAS DEL (MAXIMA 3.5L 04-08/QUEST 3.5L 04-09/MURANO 3.5L 03-08)



NS

ALTIMA 3.5L 2002-2006

| | |
|----------|-----------------|
| CODIGO | MDNN3250 |
| EQUIV 1: | |
| OEM: | 13264-7Y000 |
| EQUIV 2: | |

TAPA PUNTERIAS TRAS (MAXIMA 3.5L 04-08/QUEST 3.5L 04-09/MURANO 3.5L 03-08)



NS

FRONTIER 2.5L 2005-2019

| | |
|----------|-----------------|
| CODIGO | MDNN2700 |
| EQUIV 1: | |
| OEM: | 13264-EA000 |
| EQUIV 2: | |

TAPA PUNTERIAS



NS

NP-300 (D-22) 2.5L DIESEL 2008-2015

| | |
|----------|-----------------|
| CODIGO | MDNN0710 |
| EQUIV 1: | |
| OEM: | 13264-EC01A |
| EQUIV 2: | |

TAPA PUNTERIAS





NS

NV-350 2.5L GAS 2013-2022

| | |
|----------|-----------------|
| CODIGO | MDNN0400 |
| EQUIV 1: | |
| OEM: | 13264-MA00A |
| EQUIV 2: | |



TAPA PUNTERIAS (URVAN 2.5L 02-12)



NS

PATHFINDER 4.0L/5.6L 2005-2012

| | |
|----------|-------------------|
| CODIGO | MDNN2601 |
| EQUIV 1: | |
| OEM: | 13264-ZE00A/7S000 |
| EQUIV 2: | |



TAPA PUNTERIAS DER (ARMADA 5.6L 05-15/TITAN 5.6L 04-15)



NS

PATHFINDER 4.0L/5.6L 2005-2012

| | |
|----------|-----------------|
| CODIGO | MDNN2602 |
| EQUIV 1: | |
| OEM: | 13264-ZE01A |
| EQUIV 2: | |



TAPA PUNTERIAS IZQ (ARMADA 5.6L 05-15/TITAN 5.6L 04-15)



NS

SENTRA B-15 1.8L 2001-2006

| | |
|----------|-------------------|
| CODIGO | MDNN1300 |
| EQUIV 1: | |
| OEM: | 13264-4M702/4Z011 |
| EQUIV 2: | |



TAPA PUNTERIAS (ALMERA 1.8L 01-06)



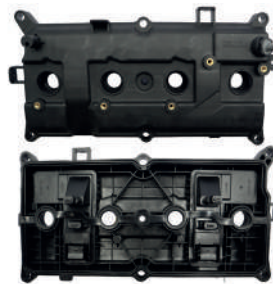
NS

SENTRA B-15 2.5L 2001-2006

| | |
|----------|-----------------|
| CODIGO | MDNN1310 |
| EQUIV 1: | |
| OEM: | 13264-3Z001 |
| EQUIV 2: | |



TAPA PUNTERIAS (X-TRAIL 2.5L 01-07/ALTIMA 2.5L 02-06)



NS

SENTRA B-16 2.0L 2007-2012

| | |
|----------|-------------------|
| CODIGO | MDNN1400 |
| EQUIV 1: | |
| OEM: | 13264-EW81A/ET00B |
| EQUIV 2: | |



TAPA PUNTERIAS



NS

SENTRA B-16 2.5L 2007-2012

| | |
|----------|-----------------|
| CODIGO | MDNN1410 |
| EQUIV 1: | |
| OEM: | 13264-JA00A |
| EQUIV 2: | |



TAPA PUNTERIAS (X-TRAIL 2.5L 08-14/ALTIMA 2.5L 07-12)



NS

TS-III 1.6L 1995-2017

| | |
|----------|-----------------|
| CODIGO | MDNN0100 |
| EQUIV 1: | |
| OEM: | 22162-0M300 |
| EQUIV 2: | |

TAPA DISTRIBUIDOR P/3TORNILLOS 16VAL (D-21 94-07/SENTRA B-14 96-00)

TAPA PUNTERIAS



NS

URVAN 3.0L DIESEL 2007-2012

| | |
|----------|-----------------|
| CODIGO | MDNN0410 |
| EQUIV 1: | |
| OEM: | 13264-3XN0A |
| | |
| EQUIV 2: | |
| | |



TAPA PUNTERIAS



NS

X-TRAIL 2.5L 2015-2022

| | |
|----------|-----------------|
| CODIGO | MDNN2200 |
| EQUIV 1: | |
| OEM: | 13264-3TS0A |
| | |
| EQUIV 2: | |
| | |



TAPA PUNTERIAS (ALTIMA 2.5L 13-18)



CV

AVEO 1.6L 2007-2017

| | |
|----------|-----------------|
| CODIGO | MENC9900 |
| EQUIV 1: | |
| OEM: | 96352740 |
| EQUIV 2: | |

ENGRANE CIGÜEÑAL (OPTRA 2.0L 06-10/CRUZE 1.8L 10-15/
PT G3 06-09)



CV

CHEVY 1.4L/1.6L 1994-2012

| | |
|----------|-------------------|
| CODIGO | MENC0100 |
| EQUIV 1: | |
| OEM: | 90502545/90354858 |
| EQUIV 2: | |

ENGRANE CIGÜEÑAL (C-2/C-3/CORSA 03-08/TORNADO 04-
11/MERIVA 04-08)



CV

CHEVY 1.4L/1.6L 1994-2012

| | |
|----------|-----------------|
| CODIGO | MENC0101 |
| EQUIV 1: | |
| OEM: | 90118241 |
| EQUIV 2: | |

ENGRANE ARBOL DE LEVAS (C-2/C-3/CORSA 03-08/TORNA-
DO 04-11/MERIVA 04-08)



NS

PLATINA 1.6L 2002-2010

| | |
|----------|-----------------|
| CODIGO | MENN0300 |
| EQUIV 1: | |
| OEM: | 1302400Q0F |
| EQUIV 2: | |

ENGRANE CIGÜEÑAL (APRIO 08-10/CLIO 02-10/KANGOO
04-15)

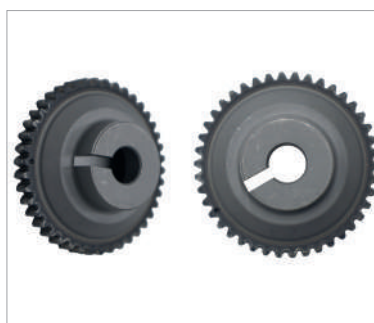


NS

PLATINA 1.6L 2002-2010

| | |
|----------|-----------------|
| CODIGO | MENN0301 |
| EQUIV 1: | |
| OEM: | 13024-00QAA |
| EQUIV 2: | |

ENGRANE ARBOL DE LEVAS K4M (APRIO 08-10/CLIO 02-10/
KANGOO 04-15)



NS

VERSA 1.6L 2012-2019

| | |
|----------|-----------------|
| CODIGO | MENN0900 |
| EQUIV 1: | |
| OEM: | 13024-CJ00B |
| EQUIV 2: | |

ENGRANE ARBOL DE LEVAS HR16DE (V-DRIVE/MARCH 11-
24/NOTE 14-19/TIIDA 1.6L)



KIT DE DISTRIBUCIÓN



| | |
|--------------------------------|-----------------|
| CV | |
| CAVALIER 2.2L 1995-2001 | |
| CODIGO | MKNC4820 |
| EQUIV 1: | |
| OEM: | |
| EQUIV 2: | |

KIT DE DISTRIBUCION 4PZAS (S-10 2.2L 95-05)



| | |
|--------------------------------|-----------------|
| CV | |
| CAVALIER 2.2L 2002-2005 | |
| CODIGO | MKNC4810 |
| EQUIV 1: | TK314A |
| OEM: | |
| EQUIV 2: | |

KIT DE DISTRIBUCION 8PZAS EJE BALANCEADOR (MALIBU 04-07)



| | |
|--------------------------------|-----------------|
| CV | |
| CAVALIER 2.4L 2002-2005 | |
| CODIGO | MKNC4800 |
| EQUIV 1: | TK314/9-4201S |
| OEM: | |
| EQUIV 2: | |

KIT DE DISTRIBUCION 8PZAS (MALIBU 04-12/HHR 06-08/G5 07-08/ZAFIRA 02-06)



| | |
|-------------------------------------|-----------------|
| CV | |
| COLORADO 2.8L/3.5L 2004-2007 | |
| CODIGO | MKNC5200 |
| EQUIV 1: | TK3138 |
| OEM: | |
| EQUIV 2: | |

KIT DE DISTRIBUCION 10PZAS (TRAILBLAZER 4.2L/ENVOY 4.2L)



| | |
|--------------------------------------|-----------------|
| CV | |
| SILVERADO 1500 4.3L 1999-2006 | |
| CODIGO | MKNC2600 |
| EQUIV 1: | KS3212 |
| OEM: | |
| EQUIV 2: | |

KIT DE DISTRIBUCION 4PZAS (EXPRESS 1500-2500 4.3L/ASTRO-S10-BLAZER 4.3L)



| | |
|--------------------------------------|-------------------------|
| CV | |
| SILVERADO 1500 5.3L 1999-2006 | |
| CODIGO | MKNC2610 |
| EQUIV 1: | TK3168 |
| OEM: | |
| EQUIV 2: | AVALANCHE-SUBURBAN 5.3L |

KIT DE DISTRIBUCION 3PZAS P/SENSOR (SILVERADO 2500-3500 6.0L/EXPRESS 4.8L-5.3L)



| | |
|-----------------------------|-------------------|
| CV | |
| SPARK 1.2L 2011-2017 | |
| CODIGO | MKNC0800 |
| EQUIV 1: | KC-94218S/9-4218S |
| OEM: | 25186316KIT |
| EQUIV 2: | |

KIT DE DISTRIBUCION 7PZAS SMARTECH II (BEAT 1.2L 18-21)



| | |
|-------------------------------|-----------------------|
| CV | |
| VENTURE 3.4L 2000-2005 | |
| CODIGO | MKNC2300 |
| EQUIV 1: | TK3147/KC90700S |
| OEM: | |
| EQUIV 2: | CENTURY/SILHOUETTE/G6 |

KIT DE DISTRIBUCION 4PZAS (MALIBU 3.1L-3.5L/UPLANDER 3.5L/EQUINOX-AZTEK 3.4L)



KIT DE DISTRIBUCIÓN



DG

ATTITUDE 1.4L/1.6L 2006-2011

| | |
|----------|-----------------|
| CODIGO | MKNK1100 |
| EQUIV 1: | KR-282/BK282 |
| OEM: | |
| EQUIV 2: | |

KIT DE DISTRIBUCION 3PZAS G4ED/G4EE (VERNA 1.6L 04-06)



DG

ATTITUDE 1.6L 2012-2014

| | |
|----------|-----------------|
| CODIGO | MKNK1110 |
| EQUIV 1: | |
| OEM: | |
| EQUIV 2: | |

KIT DE DISTRIBUCION 6PZAS G4FC



DG

AVENGER 2.4L 2007-2014

| | |
|----------|-----------------------|
| CODIGO | MKNK0900 |
| EQUIV 1: | 9-0736S/TK167 |
| OEM: | |
| EQUIV 2: | JOURNEY 2.4L/200 2.4L |

KIT DE DISTRIBUCION 9PZAS (CALIBER 2.0L-2.4L/PATRIOT-COMPASS 2.0L-2.2L-2.4L)



DG

H-100 VAN DIESEL 2010-2014

| | |
|----------|-----------------|
| CODIGO | MKNK1410 |
| EQUIV 1: | |
| OEM: | |
| EQUIV 2: | |

KIT DE DISTRIBUCION 16PZAS D4CB



DG

RAM 1500 3.7L 2002-2009

| | |
|----------|-------------------|
| CODIGO | MKNK0300 |
| EQUIV 1: | TK1106/KC-90393SB |
| OEM: | |
| EQUIV 2: | |

KIT DE DISTRIBUCION 14PZAS (LIBERTY-NITRO-DURANGO-DAKOTA-GRAND CHEROKEE 3.7L)



DG

RAM 1500 4.7L 2002-2009

| | |
|----------|-------------------|
| CODIGO | MKNK0310 |
| EQUIV 1: | TK1101/KC-90393SD |
| OEM: | |
| EQUIV 2: | |

KIT DE DISTRIBUCION 15PZAS (NITRO-DURANGO-DAKOTA-GRAND CHEROKEE 4.7L)



DG

VOYAGER 3.3L/3.8L 2001-2007

| | |
|----------|-----------------|
| CODIGO | MKNK1510 |
| EQUIV 1: | TK1138 |
| OEM: | |
| EQUIV 2: | |

KIT DE DISTRIBUCION 5PZAS (CARAVAN/TOWN & COUNTRY)



FD

ECOSPORT 2.0L 2004-2012

| | |
|----------|------------------------|
| CODIGO | MKNF1000 |
| EQUIV 1: | KC-90727S/90727S/TK432 |
| OEM: | |
| EQUIV 2: | |

KIT DE DISTRIBUCION 11PZAS DURATEC-HE (FOCUS 07-11/ MZ 3 04-09/MX-5 06-10)



KIT DE DISTRIBUCIÓN



| | |
|------------------------------|------------------------|
| FD | |
| ESCAPE 3.0L 2001-2007 | |
| CODIGO | MKNF0500 |
| EQUIV 1: | KC-90708S/90708S/TK412 |
| OEM: | |
| EQUIV 2: | |

KIT DE DISTRIBUCION 10PZAS (FIVE HUNDRED 05-07/MARI-
NER 3.0L 05-07)



| | |
|-----------------------------|------------------------------|
| FD | |
| F-150 4.6L 2004-2008 | |
| CODIGO | MKNF1800 |
| EQUIV 1: | TK4155B |
| OEM: | |
| EQUIV 2: | TOWN CAR-MOUNTAINEER 4.6L |

KIT DE DISTRIBUCION 19PZAS (E-150-E250-LOBO-EXPLO-
RER-EXPEDITION-MUSTANG 4.6L)



| | |
|-----------------------------|--------------------------|
| FD | |
| F-150 5.4L 2004-2014 | |
| CODIGO | MKNF1810 |
| EQUIV 1: | TK4173 |
| OEM: | |
| EQUIV 2: | EXCURSION-NAVIGATOR 5.4L |

KIT DE DISTRI 13PZAS CVVT (LOBO-EXPEDI 5.4L/F-250-350
5.4L-6.8L/F-450-550 6.8L)



| | |
|------------------------------------|-----------------|
| FD | |
| FIESTA FIRST 1.6L 2003-2010 | |
| CODIGO | MKNF0200 |
| EQUIV 1: | KC-94800S |
| OEM: | |
| EQUIV 2: | |

KIT DE DISTRIBUCION 6PZAS 8VAL ZETEC-ROCAM (IKON 01-
07/KA 01-08/COURIER 01-10)



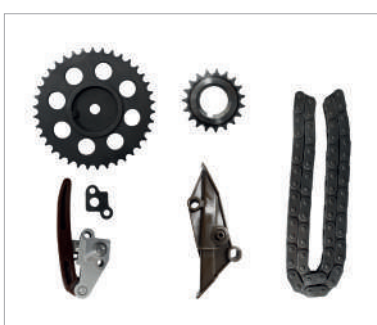
| | |
|------------------------------|-------------------|
| FD | |
| RANGER 2.3L 2002-2012 | |
| CODIGO | MKNF0400 |
| EQUIV 1: | KC-90705S/9-0705S |
| OEM: | |
| EQUIV 2: | |

KIT DE DISTRIBUCION 11PZAS (FUSION 2.3L 06-09/MZ
B2300 2.3L 96-04)



| | |
|------------------------------|-----------------|
| FD | |
| RANGER 3.2L 2013-2020 | |
| CODIGO | MKNF0430 |
| EQUIV 1: | |
| OEM: | |
| EQUIV 2: | |

KIT DE DISTRIBUCION 10PZAS



| | |
|------------------------------|-----------------|
| FD | |
| RANGER 4.0L 1995-2001 | |
| CODIGO | MKNF0420 |
| EQUIV 1: | 9-4172SA |
| OEM: | |
| EQUIV 2: | |

KIT DE DISTRIBUCION 5PZAS (AEROSTAR 4.0L 95-97/EXPLO-
RER 4.0L 95-01/B4000 4.0L)

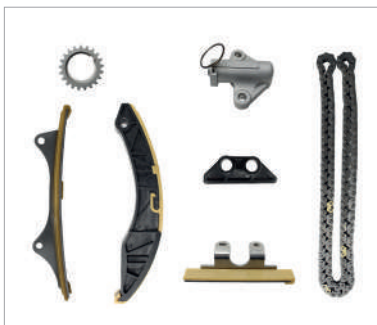


| | |
|------------------------------|--------------------|
| FD | |
| RANGER 4.0L 2002-2009 | |
| CODIGO | MKNF0410 |
| EQUIV 1: | KC-90398SB/9-0398S |
| OEM: | |
| EQUIV 2: | |

KIT DE DISTRIBUCION 17PZAS (MUSTANG 4.0L 05-10/EX-
PLORER 4.0L 02-10/MOUNTAINEER)



KIT DE DISTRIBUCIÓN



| | |
|----------------------------------|-----------------|
| HY | |
| GRAND I-10 1.2L 2015-2023 | |
| CODIGO | MKND0300 |
| EQUIV 1: | |
| OEM: | |
| EQUIV 2: | |

KIT DE DISTRIBUCION 7PZAS (I-10 1.1L 11-14/KA RIO 1.6L 16-17)



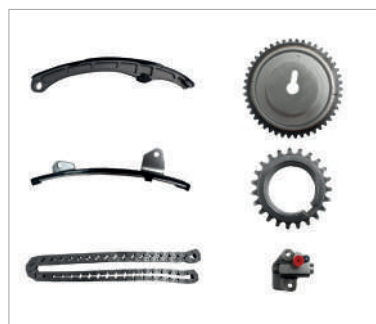
| | |
|-----------------------------------|-----------------|
| IS | |
| ELF-200/300 3.0L 2010-2024 | |
| CODIGO | MKNI0700 |
| EQUIV 1: | |
| OEM: | |
| EQUIV 2: | |

KIT DE DISTRIBUCION 6PZAS



| | |
|----------------------------|-----------------|
| MZ | |
| CX-5 2.5L 2013-2023 | |
| CODIGO | MKNZ0200 |
| EQUIV 1: | |
| OEM: | |
| EQUIV 2: | |

KIT DE DISTRIBUCION 10PZAS PEY4 (MZ 3 14-24/MZ 6 14-21/CX-30 20-24)



| | |
|-----------------------------------|-----------------|
| MZ | |
| MZ 2 1.5L H-BACK 2012-2015 | |
| CODIGO | MKNZ0500 |
| EQUIV 1: | |
| OEM: | |
| EQUIV 2: | |

KIT DE DISTRIBUCION 6PZAS ZY05



| | |
|----------------------------|-----------------|
| MZ | |
| MZ 3 2.3L 2004-2009 | |
| CODIGO | MKNZ0100 |
| EQUIV 1: | |
| OEM: | |
| EQUIV 2: | |

KIT DE DISTRIBUCION 11PZAS C/VVT MZR (MZ 5 06-11/MZ 6 03-08)



| | |
|---------------------------------|-----------------|
| MZ | |
| MZ 3 2.3L/2.5L 2010-2013 | |
| CODIGO | MKNZ0110 |
| EQUIV 1: | |
| OEM: | |
| EQUIV 2: | |

KIT DE DISTRIBUCION 11PZAS C/VVT MZR/DISI MZ 5 12-15/ MZ 6 09-13/CX-7 07-12



| | |
|--------------------------------|-----------------|
| MT | |
| L200 2.4L GAS 2008-2019 | |
| CODIGO | MKNS1300 |
| EQUIV 1: | KR-230 |
| OEM: | MD329639 |
| EQUIV 2: | |

KIT DE DISTRIBUCION 5PZAS 4G64 (VAN 1000 2.4L 08-10)



| | |
|-----------------------------------|-----------------|
| MT | |
| L200 2.5L DIESEL 2008-2019 | |
| CODIGO | MKNS1310 |
| EQUIV 1: | |
| OEM: | |
| EQUIV 2: | |

KIT DE DISTRIBUCION 7PZAS 4D56T



KIT DE DISTRIBUCIÓN



| | |
|-----------------------------------|-----------------|
| MT | |
| L200 2.5L DIESEL 2020-2024 | |
| CODIGO | MKNS1320 |
| EQUIV 1: | |
| OEM: | SGXB4N15 |
| EQUIV 2: | |

KIT DE DISTRIBUCION 8PZAS 4N15



| | |
|---------------------------|-----------------|
| NS | |
| 720 1.8L 1981-1993 | |
| CODIGO | MKNN0630 |
| EQUIV 1: | 9-41595 |
| OEM: | |
| EQUIV 2: | |

KIT DE DISTRIBUCION 9PZS 8VAL J18



| | |
|--------------------------------|-------------------|
| NS | |
| D-21 2WD 2.4L 1994-2007 | |
| CODIGO | MKNN0200 |
| EQUIV 1: | KC-94163S/9-4163S |
| OEM: | |
| EQUIV 2: | |

KIT DE DISTRIBUCION 13PZAS 12VAL KA24E



| | |
|--------------------------------|-----------------|
| NS | |
| FRONTIER 2.4L 1998-2004 | |
| CODIGO | MKNN2700 |
| EQUIV 1: | TK626 |
| OEM: | |
| EQUIV 2: | |

KIT DE DISTRIBUCION 19PZAS KA24DE (ALTIMA 2.4L 96-01/X-TERRA 2.4L)



| | |
|-----------------------------------|-------------------------|
| NS | |
| FRONTIER 4.0L V6 2005-2019 | |
| CODIGO | MKNN2710 |
| EQUIV 1: | KC-90719S/9-0719S/TK648 |
| OEM: | |
| EQUIV 2: | |

KIT DE DISTRIBUCION 12PZAS VQ40DE (PATHFINDER 4.0L/X-TERRA 4.0L)



| | |
|---|-----------------|
| NS | |
| NP-300 (D-22) 4WD 2.5L 2008-2015 | |
| CODIGO | MKNN0710 |
| EQUIV 1: | |
| OEM: | |
| EQUIV 2: | CABSTAR 08-13 |

KIT DE DISTRIBUCION 16PZAS ENGRANE SENCILLO DIESEL YD25DDTI (D-23-NV-350 DIESEL)



| | |
|-------------------------------------|-------------------|
| NS | |
| NV-350 2.5L DIESEL 2013-2022 | |
| CODIGO | MKNN0410 |
| EQUIV 1: | KC-94802S/9-4304S |
| OEM: | 13001-VK500 |
| EQUIV 2: | CABSTAR 08-13 |

KIT DE DISTRIBUCION ENGRANE DOBLE 15PZAS YD25DDTI (D-22-D-23 2.5L DIESEL)



| | |
|----------------------------------|--------------------------|
| NS | |
| NV-350 2.5L GAS 2013-2022 | |
| CODIGO | MKNN0430 |
| EQUIV 1: | KC-94212S/9-4212S/TK-638 |
| OEM: | |
| EQUIV 2: | |

KIT DE DISTRIBUCION 11PZAS QR25DE C/VVT (URVAN 2.5L GAS/B-16 2.5L/X-TRAIL 01-07)



KIT DE DISTRIBUCIÓN



NS

PLATINA 1.6L 2002-2010

| | |
|----------|-----------------|
| CODIGO | MKNN0300 |
| EQUIV 1: | KR1095T/BK400 |
| OEM: | 16806-00QAB |
| EQUIV 2: | |

KIT DE DISTRIBUCION 4PZAS 16VAL K4M (APRIO/CLIO/SAN-
DERO/STEPWAY/KANGOO/LOGAN)



NS

SENTRA B-15 1.8L/2.0L 2001-2006

| | |
|----------|-------------------|
| CODIGO | MKNN1300 |
| EQUIV 1: | KC-90724S/9-0724S |
| OEM: | |
| EQUIV 2: | |

KIT DE DISTRIBUCION 7PZAS QG18DE (ALMERA 1.8L 01-06)



NS

TIIDA 1.8L 2006-2017

| | |
|----------|-------------------------|
| CODIGO | MKNN1110 |
| EQUIV 1: | KC-90723S/9-0723S/TK635 |
| OEM: | |
| EQUIV 2: | |

KIT DE DISTRIBUCION 10PZAS MR18DE/MR20DE (SENTRA
B-16 2.0L 07-12/CUBE 09-14)



NS

TS-III 1.6L 1995-2017

| | |
|----------|-----------------|
| CODIGO | MKNN0110 |
| EQUIV 1: | 9-4174SX |
| OEM: | |
| EQUIV 2: | |

KIT DE DISTRIBUCION 17PZAS 16VAL GA16DNE G/METAL T/
JAPON (TSUBAME)



NS

URVAN 2.4L 2002-2006

| | |
|----------|---------------------|
| CODIGO | MKNN0400 |
| EQUIV 1: | KC-94180SA/9-4180SA |
| OEM: | |
| EQUIV 2: | ALTIMA 2.4L 96-01 |

KIT DE DISTRIBUCION 13PZAS KA24DE (D-22 2.4L 08-15/
FRONTIER-X-TERRA 2.4L 98-04)



NS

URVAN 3.0L DIESEL 2007-2012

| | |
|----------|-----------------|
| CODIGO | MKNN0420 |
| EQUIV 1: | |
| OEM: | |
| EQUIV 2: | |

KIT DE DISTRIBUCION 6PZAS ZD30DDTI



NS

VERSA 1.6L 2012-2019

| | |
|----------|-----------------|
| CODIGO | MKNN0900 |
| EQUIV 1: | 9-4219S |
| OEM: | 13070-ED000 |
| EQUIV 2: | |

KIT DE DISTRIBUCION 9PZAS HR16DE (V-DRIVE/MARCH 11-
24/NOTE 14-19/TIIDA 1.6L)



NS

X-TRAIL 2.5L 2008-2014

| | |
|----------|-----------------|
| CODIGO | MKNN2200 |
| EQUIV 1: | TK660 |
| OEM: | |
| EQUIV 2: | |

KIT DE DISTRIBUCION 12PZAS QR25DE C/VVT (ROGUE 2.5L/
ALTIMA-FRONTIER 2.5L)



KIT DE DISTRIBUCIÓN



| | |
|----------------------------|-----------------|
| RT | |
| KWID 1.0L 2019-2024 | |
| CODIGO | MKNR0900 |
| EQUIV 1: | |
| OEM: | 130C1-6917R |
| EQUIV 2: | |

KIT DE DISTRIBUCION 7PZAS B4D T/CARDENA



| | |
|----------------------------|-----------------|
| SZ | |
| SX-4 2.0L 2007-2014 | |
| CODIGO | MKNY0500 |
| EQUIV 1: | |
| OEM: | |
| EQUIV 2: | |

KIT DE DISTRIBUCION 11PZAS J20B (AERIO 2.3L 06-07/
TRACKER 2.0L 99-08)



| | |
|-----------------------------|-----------------|
| TY | |
| CAMRY 2.4L 2002-2011 | |
| CODIGO | MKNT0100 |
| EQUIV 1: | KC90752S |
| OEM: | |
| EQUIV 2: | HIGHLANDER 2.4L |

KIT DE DISTRIBUCION 13PZAS 1AZFE/2AZFE (RAV-4 2.4L 01-12/
COROLLA-MATRIX 2.4L)



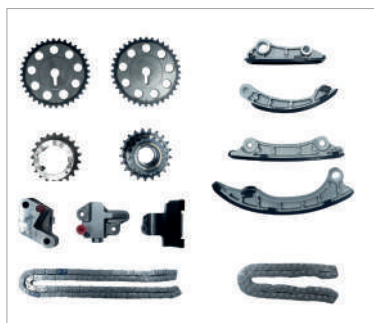
| | |
|-------------------------------|-----------------|
| TY | |
| COROLLA 1.8L 2003-2008 | |
| CODIGO | MKNT0200 |
| EQUIV 1: | KC-94200SA |
| OEM: | |
| EQUIV 2: | |

KIT DE DISTRIBUCION 12PZAS 1ZZFE C/VVT (MATRIX 1.8L
03-08)



| | |
|-----------------------------|-------------------------|
| TY | |
| HIACE 2.7L 2005-2019 | |
| CODIGO | MKNT0400 |
| EQUIV 1: | KC-94221S/9-4221S/TK954 |
| OEM: | |
| EQUIV 2: | |

KIT DE DISTRIBUCION 17PZAS 2TRFE C/VVT (HILUX 2.7L 06-15/
TACOMA 2.7L 05-15)



| | |
|------------------------------------|-----------------|
| TY | |
| HIACE 2.8L DIESEL 2020-2024 | |
| CODIGO | MKNT0410 |
| EQUIV 1: | |
| OEM: | |
| EQUIV 2: | |

KIT DE DISTRIBUCION 13PZAS 1GD-FTV (HILUX 2.8L 16-24)



| | |
|------------------------------|-------------------------|
| VK | |
| AMAROK 2.0L 2011-2017 | |
| CODIGO | MKNV4000 |
| EQUIV 1: | |
| OEM: | |
| EQUIV 2: | PASSAT 09-12/LEON 06-12 |

KIT DE DISTRIBUCION 13PZAS (JETTA A4 2.0L 99-07/BEETLE
12-16/TIGUAN 09-17)



| | |
|----------------------------|-----------------|
| MZ | |
| MZ 2 1.5L 2016-2023 | |
| CODIGO | MKNZ0510 |
| EQUIV 1: | |
| OEM: | |
| EQUIV 2: | |

KIT DE DISTRIBUCION 9PZAS ZY05/PEV5 (CX-3 2.0L 16-24/TY
YARIS R 1.5L 16-20)



PALANCA DE VELOCIDADES Y DIRECCIONALES, PASTILLA DE SWITCH



| | |
|-----------------------------|-----------------|
| NS | |
| TIIDA 1.8L 2006-2017 | |
| CODIGO | EINN1100 |
| EQUIV 1: | |
| OEM: | 34108-BC00A |
| EQUIV 2: | |

PALANCA DE VELOCIDADES STD C/CHICOTES



| | |
|------------------------------|-----------------|
| NS | |
| TS-III 1.6L 1992-2017 | |
| CODIGO | EINN0100 |
| EQUIV 1: | |
| OEM: | 25540-64Y00 |
| EQUIV 2: | |

PALANCA LUCES DIRECCIONALES



| | |
|------------------------------|-----------------|
| NS | |
| TS-III 1.6L 1992-2017 | |
| CODIGO | EINN0101 |
| EQUIV 1: | |
| OEM: | 48700-75Y25 |
| EQUIV 2: | |

SWITCH DE ARRANQUE C/LLAVES



| | |
|------------------------------|-------------------|
| NS | |
| TS-III 1.6L 1992-2017 | |
| CODIGO | EINN0102 |
| EQUIV 1: | |
| OEM: | 48750-75Y00/65Y00 |
| EQUIV 2: | |

PASTILLA DE SWITCH DE ARRANQUE



| | |
|------------------------------|-----------------|
| NS | |
| TS-III 1.6L 1992-2017 | |
| CODIGO | EINN0150 |
| EQUIV 1: | |
| OEM: | 25560-Y02G1 |
| EQUIV 2: | |

PALANCA LUCES DIRECCIONALES Y LIMPIADORAS 3PASOS





| | |
|----------------------------------|-----------------|
| NS | |
| D-21 2/4WD 2.4L 1994-2007 | |
| CODIGO | IARN0200 |
| EQUIV 1: | NI151 |
| OEM: | 18201-86G00 |
| EQUIV 2: | |

CHICOTE ACELERADOR



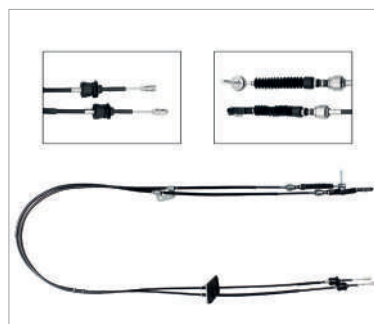
| | |
|----------------------------------|-----------------|
| NS | |
| D-21 2/4WD 2.4L 1994-2007 | |
| CODIGO | ICRN0200 |
| EQUIV 1: | |
| OEM: | 65620-01G00 |
| EQUIV 2: | |

CHICOTE COFRE



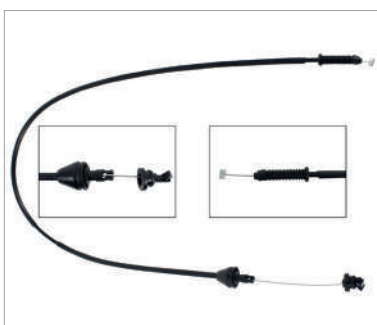
| | |
|---|-----------------|
| NS | |
| NP-300 (D-22) 2WD 2.4L 2008-2015 | |
| CODIGO | IARN0700 |
| EQUIV 1: | |
| OEM: | 18201-VM40B |
| EQUIV 2: | |

CHICOTE ACELERADOR (D-22 4WD 2.5L DIESEL)



| | |
|------------------------------|-----------------|
| NS | |
| NV-350 2.5L 2013-2022 | |
| CODIGO | IVRN0420 |
| EQUIV 1: | |
| OEM: | 34413-3XA4D |
| EQUIV 2: | |

CHICOTE VELOCIDADES STD 2CABLES COMPLETO



| | |
|-------------------------------|-----------------|
| NS | |
| PLATINA 1.6L 2002-2010 | |
| CODIGO | IARN0300 |
| EQUIV 1: | |
| OEM: | 18200-00QAB |
| EQUIV 2: | |

CHICOTE ACELERADOR (CLIO 02-10)



| | |
|-------------------------------|-----------------|
| NS | |
| PLATINA 1.6L 2002-2010 | |
| CODIGO | ICRN0300 |
| EQUIV 1: | |
| OEM: | 65620-00QAA |
| EQUIV 2: | |

CHICOTE COFRE



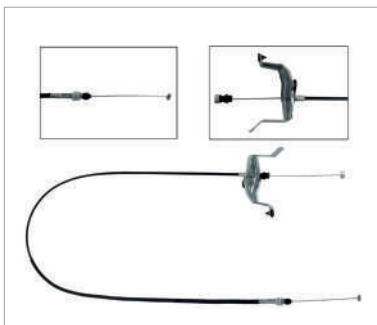
| | |
|------------------------------|-----------------|
| NS | |
| TS-III 1.6L 1992-2017 | |
| CODIGO | ICRN0100 |
| EQUIV 1: | NI706 |
| OEM: | 65620-F4300 |
| EQUIV 2: | |

CHICOTE COFRE (SENTRA B-14 96-00)



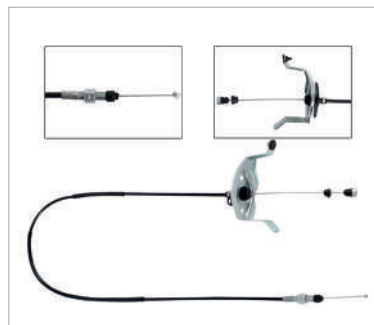
| | |
|------------------------------|-----------------|
| NS | |
| TS-III 1.6L 1992-2017 | |
| CODIGO | IVRN0100 |
| EQUIV 1: | |
| OEM: | 25050-65Y00 |
| EQUIV 2: | |

CHICOTE VELOCIMETRO



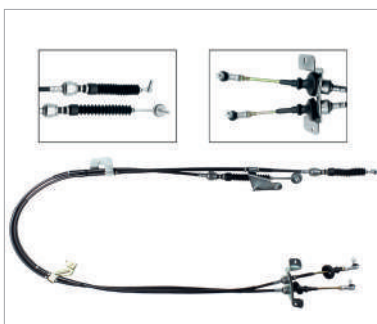
| | |
|------------------------------|-----------------|
| NS | |
| TS-III 1.6L 1995-1997 | |
| CODIGO | IARN0100 |
| EQUIV 1: | |
| OEM: | 18201-62Y02 |
| EQUIV 2: | |

CHICOTE ACELERADOR LARGO 1.91MM 16VAL (SENTRA B-14 96-98)



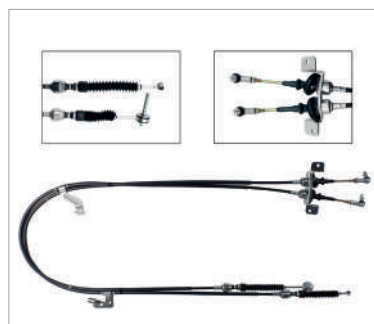
| | |
|------------------------------|-----------------|
| NS | |
| TS-III 1.6L 1998-2017 | |
| CODIGO | IARN0120 |
| EQUIV 1: | |
| OEM: | 18201-F4202 |
| EQUIV 2: | |

CHICOTE ACELERADOR MEDIO 1.34MT 16VAL (SENTRA B-14 98-00)



| | |
|-----------------------------|-----------------|
| NS | |
| URVAN 2.4L 2002-2006 | |
| CODIGO | IVRN0400 |
| EQUIV 1: | |
| OEM: | 34413-VW701 |
| EQUIV 2: | |

CHICOTE VELOCIDADES STD 2CABLES COMPLETO



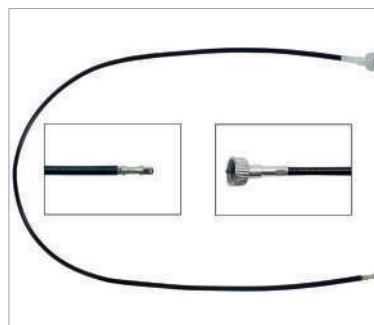
| | |
|-----------------------------|-----------------|
| NS | |
| URVAN 2.5L 2007-2012 | |
| CODIGO | IVRN0410 |
| EQUIV 1: | |
| OEM: | 34413-VZ10D |
| EQUIV 2: | |

CHICOTE VELOCIDADES STD 2CABLES COMPLETO



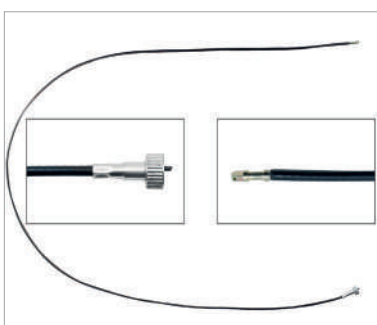
| | |
|-----------------------------|-----------------|
| TY | |
| HIACE 2.7L 2005-2019 | |
| CODIGO | IVRT0400 |
| EQUIV 1: | |
| OEM: | 33820-26373 |
| EQUIV 2: | |

CHICOTE VELOCIDADES STD 2CABLES COMPLETO CHASIS LARGO



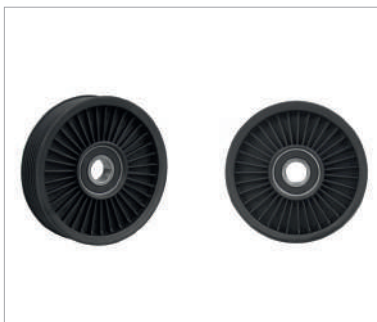
| | |
|----------------------------------|-----------------|
| VK | |
| COMBI 1.6L/1.8L 1970-2001 | |
| CODIGO | IVRV1600 |
| EQUIV 1: | VW-401 |
| OEM: | 211-957-801F |
| EQUIV 2: | |

CHICOTE VELOCIMETRO LARGO 2460MM



| | |
|-----------------------------|-----------------|
| VK | |
| SEDAN 1.6L 1973-2004 | |
| CODIGO | IVRV5100 |
| EQUIV 1: | VW-400 |
| OEM: | 111-957-801J |
| EQUIV 2: | |

CHICOTE VELOCIMETRO 1230MM



| | |
|----------------------------|-----------------|
| CV | |
| AVEO 1.6L 2007-2017 | |
| CODIGO | MPNC9900 |
| EQUIV 1: | KR131117/SA/PGA |
| OEM: | 10118713 |
| EQUIV 2: | |

POLEA RODILLO TENSOR ALTERNADOR S/AIRE (PT G3 06-09)



| | |
|----------------------------|------------------|
| CV | |
| AVEO 1.6L 2007-2017 | |
| CODIGO | MPNC9910 |
| EQUIV 1: | KR113093T/SD/PTD |
| OEM: | 96350550 |
| EQUIV 2: | |

TENSOR BANDA DISTRIBUCION (PT G3 06-09/SZ SWIFT 1.6L 12-17)



| | |
|----------------------------|-----------------|
| CV | |
| AVEO 1.6L 2007-2017 | |
| CODIGO | MPNC9920 |
| EQUIV 1: | KR113094T |
| OEM: | 96103222 |
| EQUIV 2: | |

POLEA RODILLO DISTRIBUCION (PT G3 06-09/SZ SWIFT 1.6L 12-17)



| | |
|----------------------------|-----------------|
| CV | |
| AVEO 1.6L 2007-2017 | |
| CODIGO | MWNC9900 |
| EQUIV 1: | KR90076 |
| OEM: | 96349976 |
| EQUIV 2: | |

TENSOR AUTOMATICO ALTERNADOR (PT G3 06-09)



| | |
|----------------------------------|-----------------|
| CV | |
| CHEVY 1.4L/1.6L 1994-2012 | |
| CODIGO | MPNC0130 |
| EQUIV 1: | KR137027 |
| OEM: | 90502129 |
| EQUIV 2: | |

POLEA RODILLO LISA TENSOR DE ALTERNADOR C/AIRE (C-2/C-3/SONIC-TRAX 1.4L/CRUZE)



| | |
|----------------------------------|-----------------|
| CV | |
| CHEVY 1.4L/1.6L 1994-2012 | |
| CODIGO | MPNC0140 |
| EQUIV 1: | KR113068T |
| OEM: | 90499401 |
| EQUIV 2: | |

TENSOR BANDA DE DISTRIBUCION (C-2/C-3)



| | |
|----------------------------------|-----------------|
| CV | |
| CHEVY 1.4L/1.6L 1994-2012 | |
| CODIGO | MPNC0150 |
| EQUIV 1: | KR137028 |
| OEM: | 90409238 |
| EQUIV 2: | |

POLEA RODILLO ACANALADA PARA TENSOR C/AIRE ACCOD (C-2/C-3)



| | |
|----------------------------------|-----------------|
| CV | |
| CHEVY 1.4L/1.6L 1994-2012 | |
| CODIGO | MWNC0100 |
| EQUIV 1: | KR-90067 |
| OEM: | 96184932 |
| EQUIV 2: | |

TENSOR BANDA ALTERNADOR C/POLEA ACANALADA C/ AIRE C-2/C-3/OPTRA 06-10/ASTRA 00-06





| | |
|-----------------------------|-----------------|
| CV | |
| CORSA 1.4L 2003-2004 | |
| CODIGO | MPNC0250 |
| EQUIV 1: | KR-90069 |
| OEM: | 93374496 |
| EQUIV 2: | |

TENSOR BANDA ALTERNADOR (TORNADO 1.8L 04-20)



| | |
|----------------------------------|------------------|
| CV | |
| CORSA 1.4L/1.8L 2003-2008 | |
| CODIGO | MPNC0200 |
| EQUIV 1: | KR113076T/SD/PGD |
| OEM: | 96413863 |
| EQUIV 2: | |

POLEA BANDA DISTRIBUCION GRANDE (ASTRA 1.8L 98-03/
ZAFIRA 1.8L 02-06/MERIVA 04-08)



| | |
|----------------------------------|------------------|
| CV | |
| CORSA 1.4L/1.8L 2003-2008 | |
| CODIGO | MPNC0210 |
| EQUIV 1: | KR113088T/SD/PGD |
| OEM: | 55352713 |
| EQUIV 2: | |

POLEA BANDA DISTRIBUCION CHICA (ASTRA 1.8L 98-03/
ZAFIRA 1.8L 02-06/MERIVA 04-08)



| | |
|----------------------------------|------------------|
| CV | |
| CORSA 1.4L/1.8L 2003-2008 | |
| CODIGO | MPNC0230 |
| EQUIV 1: | KR113066T/SD/PTD |
| OEM: | 90412783 |
| EQUIV 2: | |

TENSOR BANDA DISTRIBUCION (TORNADO 04-20/MERIVA
04-08/ASTRA 98-03/ZAFIRA 02-06)



| | |
|----------------------------------|-----------------|
| CV | |
| CORSA 1.4L/1.8L 2003-2008 | |
| CODIGO | MWNC0200 |
| EQUIV 1: | KR-90060 |
| OEM: | 90571758 |
| EQUIV 2: | |

TENSOR BANDA ALTERNADOR S/AIRE C/DIREC HID (TORNA-
DO 04-11/MERIVA/ASTRA/ZAFIRA)



| | |
|-----------------------------|-----------------|
| CV | |
| CORSA 1.8L 2003-2008 | |
| CODIGO | MPNC0220 |
| EQUIV 1: | KR113042/SA/PGA |
| OEM: | 93297256 |
| EQUIV 2: | |

POLEA BANDA ALTERNADOR C/DIRECCION HID (TORNADO
04-11/MERIVA 04-08)



| | |
|--------------------------------|------------------|
| CV | |
| MATIZ G2 1.0L 2006-2015 | |
| CODIGO | MPNG0100 |
| EQUIV 1: | KR113095T/SD/PTD |
| OEM: | 94580139 |
| EQUIV 2: | |

TENSOR BANDA DISTRIBUCION



| | |
|-----------------------------|-----------------|
| CV | |
| OPTRA 2.0L 2006-2010 | |
| CODIGO | MPNC1700 |
| EQUIV 1: | KR-137046T |
| OEM: | 90530125 |
| EQUIV 2: | |

TENSOR BANDA DISTRIBUCION (LUV 2.2L 00-06/VECTRA
2.0L-2.2L)





| | |
|-----------------------------|-----------------|
| CV | |
| OPTRA 2.0L 2006-2010 | |
| CODIGO | MPNC1720 |
| EQUIV 1: | KR-113100T |
| OEM: | 90412731 |
| EQUIV 2: | |

POLEA RODILLO BANDA DISTRIBUCION (ZAFIRA 02-06/VECTRA 2.0L-2.2L)



| | |
|-----------------------------|-----------------|
| CV | |
| OPTRA 2.0L 2006-2010 | |
| CODIGO | MWNC1700 |
| EQUIV 1: | KR90045 |
| OEM: | 96184932 |
| EQUIV 2: | |

TENSOR AUTOMATICO ALTERNADOR C/AAC Y DIRECCION HID



| | |
|-----------------------------|-----------------|
| CV | |
| SONIC 1.6L 2012-2018 | |
| CODIGO | MWNC0900 |
| EQUIV 1: | KR90079 |
| OEM: | 55556090 |
| EQUIV 2: | |

TENSOR AUTOMATICO ALTERNADOR (CRUZE-TRAX-MERIVA-ASTRA-ZAFIRA 1.8L/G3 1.6L)



| | |
|-----------------------------|-----------------|
| CV | |
| SPARK 1.2L 2011-2017 | |
| CODIGO | MWNC0800 |
| EQUIV 1: | |
| OEM: | 25186316 |
| EQUIV 2: | |

TENSOR CADENA SMARTECH II (BEAT 1.2L 18-21)



| | |
|---------------------------------|-------------------|
| DG | |
| ATOS 1.0L/1.1L 2000-2012 | |
| CODIGO | MPNK0100 |
| EQUIV 1: | KR-113062T |
| OEM: | 24410-02510/02550 |
| EQUIV 2: | |

TENSOR BANDA DE DISTRIBUCION (I-10 1.1L 11-14)



| | |
|----------------------------------|-----------------|
| NS | |
| D-21 2/4WD 2.4L 1994-2007 | |
| CODIGO | MNRN0200 |
| EQUIV 1: | |
| OEM: | 13085-40F10 |
| EQUIV 2: | |

GUIA CADENA RECTA METAL KA24E 12VAL



| | |
|--------------------------------|-----------------|
| NS | |
| D-21 2WD 2.4L 1994-2007 | |
| CODIGO | MWNN0200 |
| EQUIV 1: | |
| OEM: | 13070-40F06 |
| EQUIV 2: | |

TENSOR CADENA 12VAL KA24E



| | |
|---|-----------------|
| NS | |
| NP-300 (D-22) 2WD 2.4L 2008-2015 | |
| CODIGO | MWNN0700 |
| EQUIV 1: | |
| OEM: | 13070-53F12 |
| EQUIV 2: | |

TENSOR CADENA SUP KA24DE (URVAN 2.4L 02-06/FRONT 2.4L 98-04/ALTIMA 2.4L 96-01)





NS

NP-300 (D-22) 2WD 2.4L 2008-2015

| | |
|----------|-----------------|
| CODIGO | MWNN0701 |
| EQUIV 1: | |
| OEM: | 13070-4E100 |
| EQUIV 2: | |

TENSOR CADENA INF KA24DE (URVAN 2.4L 02-06/FRONT 2.4L 98-04/ALTIMA 2.4L 96-01)



NS

NV-350 2.5L GAS 2013-2022

| | |
|----------|-----------------|
| CODIGO | MWNN0400 |
| EQUIV 1: | KR90055 |
| OEM: | 11955-MA00A |
| EQUIV 2: | |

TENSOR AUTOMATICO ALTERNADOR (URVAN 2.5L GAS 07-12)



NS

NV-350 2.5L GAS 2013-2022

| | |
|----------|-------------------------|
| CODIGO | MWNN0410 |
| EQUIV 1: | |
| OEM: | 13070-6N21A/8J000/JA00A |
| EQUIV 2: | ROGUE 2.5L 08-14 |

TENSOR CADENA SUP QR25DE (URVAN 2.5L/B-16 2.5L/X-TRAIL 2.0L 01-07/ALTIMA 2.5L)



NS

NV-350 2.5L GAS 2013-2022

| | |
|----------|-------------------------|
| CODIGO | MWNN0411 |
| EQUIV 1: | |
| OEM: | 13070-EA000/ET80B/JA01A |
| EQUIV 2: | ROGUE 2.5L 08-14 |

TENSOR CADENA INF QR25DE (URVAN 2.5L/B-16 2.5L/X-TRAIL 2.0L 01-07/ALTIMA 2.5L)



NS

PLATINA 1.6L 2002-2010

| | |
|----------|-----------------|
| CODIGO | MPNN0320 |
| EQUIV 1: | KR-113073T |
| OEM: | 13070-00QAA |
| EQUIV 2: | |

POLEA RODILLO BANDA DISTRIBUCION (APRIO/CLIO/SANDERO-STEPWAY/LOGAN/KANGOO/MEGANE)



NS

PLATINA 1.6L 2002-2010

| | |
|----------|-----------------|
| CODIGO | MPNN0330 |
| EQUIV 1: | KR-113054 |
| OEM: | 11925-00QAF |
| EQUIV 2: | KANGOO/MEGANE |

POLEA RODILLO LISA TENSOR DE ALTERNADOR C/AIRE (APRIO/CLIO/SANDERO-STEPWAY/LOGAN)



NS

PLATINA 1.6L 2002-2010

| | |
|----------|-----------------|
| CODIGO | MPNN0340 |
| EQUIV 1: | |
| OEM: | 13070-00QAB |
| EQUIV 2: | |

TENSOR BANDA DE DISTRIBUCION (APRIO/CLIO/SANDERO-STEPWAY/LOGAN/KANGOO/MEGANE)



NS

PLATINA 1.6L 2002-2010

| | |
|----------|-----------------|
| CODIGO | MWNN0300 |
| EQUIV 1: | KR-113080T |
| OEM: | 11925-00QAB |
| EQUIV 2: | |

TENSOR BANDA ALTERNADOR S/AIRE (APRIO/CLIO/SANDERO/KANGOO)





NS

TIIDA 1.6L/1.8L 2006-2017

| | |
|----------|-------------------|
| CODIGO | MSNN1150 |
| EQUIV 1: | 2916049/7196 |
| OEM: | 11360-ED000/EL00A |
| EQUIV 2: | |

SOPORTE MOTOR TRASERO (SENTRA B-16 B-17/APRIO/MICRA/CUBE/SANDERO/STEPWAY)



NS

TIIDA 1.6L/1.8L 2006-2017

| | |
|----------|-----------------|
| CODIGO | MWNN1100 |
| EQUIV 1: | KR90052 |
| OEM: | 11955-ET00A |
| EQUIV 2: | |

TENSOR BANDA ALTERNADOR (B-16 2.0L 07-12/DUSTER 2.0L 13-16/FLUENCE 2.0L 11-17)



NS

TIIDA 1.8L 2006-2017

| | |
|----------|------------------------|
| CODIGO | MWNN1110 |
| EQUIV 1: | |
| OEM: | 13070-EN200 |
| EQUIV 2: | ALTIMA 2.0L-2.5L 19-20 |

TENSOR CADENA SUP LARGA MR18DE/MR20DE (B-16 2.0L 07-12/B-17 1.8L 13-20/JUKE/CUBE)



NS

TIIDA 1.8L 2006-2017

| | |
|----------|-----------------|
| CODIGO | MWNN1111 |
| EQUIV 1: | |
| OEM: | 13070-EN22B |
| EQUIV 2: | |

TENSOR CADENA INF CORTA MR18DE/MR20DE (SENTRA B-16 2.0L 07-12/CUBE 09-14)



NS

TS-III 1.6L 1992-1994

| | |
|----------|-------------------|
| CODIGO | MWNN0110 |
| EQUIV 1: | |
| OEM: | 13070-01M00/16A10 |
| EQUIV 2: | |

TENSOR BANDA DISTRIBUCION 8VAL (TS-II/TS-I)



NS

TS-III 1.6L 1992-2017

| | |
|----------|-----------------|
| CODIGO | MNRN0100 |
| EQUIV 1: | |
| OEM: | 13085-0M300 |
| EQUIV 2: | |

GUIA CADENA RECTA METALICA C/TORNILLOS 8VAL/16VAL (SENTRA B-14/TSUBAME/LUCINO)



NS

TS-III 1.6L 1992-2017

| | |
|----------|-----------------|
| CODIGO | MNRN0110 |
| EQUIV 1: | |
| OEM: | 13091-53Y00 |
| EQUIV 2: | |

GUIA CADENA CURVA METALICA 8VAL/16VAL (SENTRA B-14/TSUBAME/LUCINO)



NS

TS-III 1.6L 1992-2017

| | |
|----------|-----------------|
| CODIGO | MSNN0101 |
| EQUIV 1: | 6686 |
| OEM: | 11210-59Y00 |
| EQUIV 2: | |

SOPORTE MOTOR FRONTAL DER (TSUBAME 92-04)





NS

TS-III 1.6L 1992-2017

| | |
|----------|-----------------|
| CODIGO | MSRN0100 |
| EQUIV 1: | |
| OEM: | 21745-50Y00 |
| EQUIV 2: | |

SOPORTE TANQUE RECUPERADOR DE AGUA



NS

TS-III 1.6L 1995-2017

| | |
|----------|-----------------|
| CODIGO | MWNN0100 |
| EQUIV 1: | |
| OEM: | 13070-53Y00 |
| EQUIV 2: | |

TENSOR CADENA INF LARGA 16VAL GA16DNE



NS

TS-III 1.6L 1995-2017

| | |
|----------|-----------------|
| CODIGO | MWNN0101 |
| EQUIV 1: | |
| OEM: | 13070-53Y12 |
| EQUIV 2: | |

TENSOR CADENA SUP CORTA 16VAL GA16DNE



NS

VERSA 1.6L 2012-2024

| | |
|----------|-----------------|
| CODIGO | MSNN0950 |
| EQUIV 1: | 2916147/7407 |
| OEM: | 11360-1HC0D |
| EQUIV 2: | |

SOPORTE MOTOR TRASERO (V-DRIVE/MARCH 11-24/KICKS 17-24/NOTE 14-19)



NS

VERSA 1.6L 2012-2024

| | |
|----------|-----------------|
| CODIGO | MWNN0900 |
| EQUIV 1: | |
| OEM: | 13070-3HC0B |
| EQUIV 2: | |

TENSOR CADENA HR16DE (V-DRIVE/MARCH 11-24/KICKS 17-24/NOTE 14-19/TIIDA 1.6L)



NS

X-TRAIL 2.5L 2001-2014

| | |
|----------|-----------------|
| CODIGO | MWNN2200 |
| EQUIV 1: | KR90322 |
| OEM: | 119558J00A |
| EQUIV 2: | |

TENSOR AUTOMATICO ALTERNADOR (B-16 2.5L 07-12/ALTIMA 2.5L 07-16/ROGUE/KOLEOS)



TY

HIACE 2.7L 2005-2019

| | |
|----------|-----------------|
| CODIGO | MWNT0400 |
| EQUIV 1: | |
| OEM: | 13540-75030 |
| EQUIV 2: | |

TENSOR CADENA SUP CORTA 2TRFE (HILUX 2.7L 06-24/TACOMA 2.7L 05-15)



TY

HIACE 2.7L 2005-2019

| | |
|----------|-----------------|
| CODIGO | MWNT0401 |
| EQUIV 1: | |
| OEM: | 13550-75010 |
| EQUIV 2: | |

TENSOR CADENA INF LARGA 2TRFE (HILUX 2.7L 06-24/TACOMA 2.7L 05-15)





VK

JETTA 2.0L 1999-2007

| | |
|----------|------------------|
| CODIGO | MPNV0121 |
| EQUIV 1: | KR113105T/SD/PTD |
| OEM: | 06D-109-243B |

EQUIV 2: IBIZA-LEON 2.0L

TENSOR DE DISTRIBUCION (BORA-GOLF A4-POLO-DERBY-PASSAT-EOS-GTI 2.0L/POINTER GTI)



VK

JETTA A4 2.0L 1999-2007

| | |
|----------|-----------------|
| CODIGO | MWNV0100 |
| EQUIV 1: | KR-90284 |
| OEM: | 06A 903 315D/E |

EQUIV 2:

TENSOR BANDA ALTERNADOR (GOLF A4/PASSAT/SHARAN/IBIZA/LEON-TOLEDO/CORDOBA)



VK

JETTA A4/CLASICO 2.0L 1999-2015

| | |
|----------|-----------------|
| CODIGO | MPNV0120 |
| EQUIV 1: | KR113065T |
| OEM: | 06A-109-479C |

EQUIV 2:

TENSOR BANDA DE DISTRIBUCION (BEETLE-GOLF A4 2.0L/POLO 2.0L/IBIZA-CORDOBA 2.0L)



VK

JETTA/GOLF A2/A3 1.8L 1987-1998

| | |
|----------|-----------------|
| CODIGO | MPNV0101 |
| EQUIV 1: | KR113070T |
| OEM: | 026-109-243E |

EQUIV 2:

POLEA DE DISTRIBUDOR (POINTER/CARIBE/ATLANTIC/COMBI/IBIZA-CORDOBA 00-02)



VK

JETTA/GOLF A3 2.0L 1993-1998

| | |
|----------|-----------------|
| CODIGO | MPNV0110 |
| EQUIV 1: | KR113050 |
| OEM: | 028-145-278E |

EQUIV 2:

POLEA DE ALTERNADOR (EUROVAN 2.5L/DERBY 1.8L/CABRIO 2.0L/PASSAT 2.0L)



VK

LUPO/POLO 1.6L 2003-2009

| | |
|----------|-----------------|
| CODIGO | MPNV1340 |
| EQUIV 1: | KR137044T |
| OEM: | 030-109-243M/K |

EQUIV 2: SPORT VAN 07-09

TENSOR DE DISTRIBU (GOL 09-19/SAVEIRO 10-20/CROSS-FOX 07-17/IBIZA-CORDOBA 03-12)



VK

POINTER 1.8L 1998-2009

| | |
|----------|-----------------|
| CODIGO | MPNV0230 |
| EQUIV 1: | KR-131107 |
| OEM: | F3AZ-6B209A |

EQUIV 2:

POLEA RODILLO LISA TENSOR DE ALT C/S AIRE (PICK-UP/ECOSPORT 04-12/FRONTIER 4.0L)



VK

POINTER 1.8L 1998-2009

| | |
|----------|-----------------|
| CODIGO | MPNV0231 |
| EQUIV 1: | KR-113071 |
| OEM: | 12581701 |

EQUIV 2:

POLEA RODILLO TENSOR DE ALTERNADOR ACANALADA S/ AIRE (EQUINOX 05-09/CIVIC 12-15)





| | |
|-------------------------------|-----------------|
| VK | |
| POINTER 1.8L 1998-2009 | |
| CODIGO | MWNV0200 |
| EQUIV 1: | KR-905573 |
| OEM: | 377-260-299 |
| | |
| EQUIV 2: | |
| | |

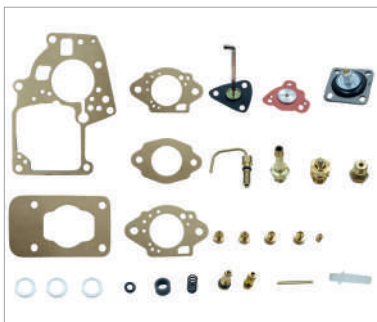
TENSOR BANDA ALTERNADOR C/2POLEAS LISA C/AIRE (PICK-UP)



| | |
|-------------------------------|-----------------|
| VK | |
| POINTER 1.8L 1998-2009 | |
| CODIGO | MWNV0201 |
| EQUIV 1: | KR-905574 |
| OEM: | 377-145-299 |
| | |
| EQUIV 2: | |
| | |

TENSOR BANDA ALTERNADOR C/2POLEAS LISA Y ACANALADA S/AIRE (PICK-UP)





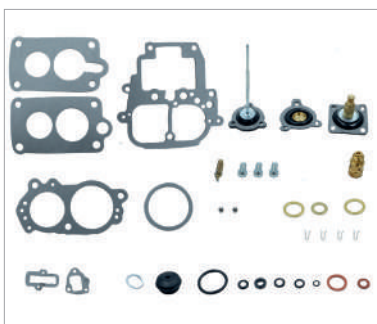
| | |
|-----------------------|-----------------|
| NS | |
| TS-I 1984-1987 | |
| CODIGO | PCRN1500 |
| EQUIV 1: | R-305 |
| OEM: | 16458-B03R5 |
| EQUIV 2: | |

CARBURADOR REPUESTO



| | |
|-----------------------------|-----------------|
| NS | |
| TS-II 1.6L 1988-1991 | |
| CODIGO | PCRN0500 |
| EQUIV 1: | |
| OEM: | 16458-J27R0 |
| EQUIV 2: | |

CARBURADOR REPUESTO (ICHIVAN 88-94)



| | |
|-------------------------------|-----------------|
| TY | |
| PICK-UP 2.4L 1984-1995 | |
| CODIGO | PCRT1310 |
| EQUIV 1: | |
| OEM: | 15827A |
| EQUIV 2: | |

CARBURADOR REPUESTO (22R)



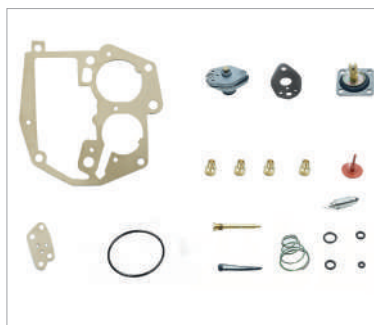
| | |
|-----------------------------------|-----------------|
| VK | |
| CARIBE 1.6L/1.7L 1977-1987 | |
| CODIGO | PCRV1810 |
| EQUIV 1: | R-354 |
| OEM: | BAQ-198-569A |
| EQUIV 2: | |

CARBURADOR REPUESTO C/SISTEMA (ATLANTIC 81-87)



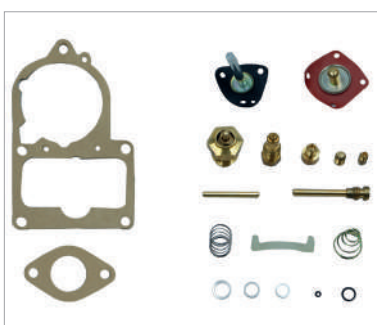
| | |
|----------------------------------|-----------------|
| VK | |
| COMBI 1.6L/1.8L 1970-2001 | |
| CODIGO | PCRV1600 |
| EQUIV 1: | R-355 |
| OEM: | 026-198-625 |
| EQUIV 2: | |

CARBURADOR REPUESTO 1800



| | |
|-------------------------------------|-----------------|
| VK | |
| JETTA/GOLF A2 1.8L 1987-1992 | |
| CODIGO | PCRV0100 |
| EQUIV 1: | R-346 |
| OEM: | 027-198-625 |
| EQUIV 2: | |

CARBURADOR REPUESTO 2 GARGANTA



| | |
|-----------------------------|-----------------|
| VK | |
| SEDAN 1.6L 1973-1984 | |
| CODIGO | PCRV5100 |
| EQUIV 1: | R-340 |
| OEM: | 111 198 569 |
| EQUIV 2: | |

CARBURADOR REPUESTO SOLEX S/SISTEMA



| | |
|-----------------------------|-----------------|
| VK | |
| SEDAN 1.6L 1985-1992 | |
| CODIGO | PCRV5110 |
| EQUIV 1: | R-360 |
| OEM: | 040-198-569 |
| EQUIV 2: | |

CARBURADOR REPUESTO C/SISTEMA ALTIMETRICO



PRÓXIMAMENTE

BOMBA GAS COMPLETA L2B

| CV | |
|----------------------------|-----------------|
| AVEO 1.5L 2018-2023 | |
| CODIGO | EGNC9910 |
| EQUIV 1: | 6279-E |
| OEM: | 26689547 |
| EQUIV 2: | |



BOMBA GAS COMPLETA C/FLOTADOR LXT/LXV F16D3 (OP-TRA 2.0L 06-10/PT G3 06-09)

| CV | |
|----------------------------|------------------|
| AVEO 1.6L 2007-2017 | |
| CODIGO | EGNC9900 |
| EQUIV 1: | 6230-E/P-76251-M |
| OEM: | 95320370 |
| EQUIV 2: | |



BOMBA GAS REPUESTO C/CEDAZO S/ARNES SISTEMA BOSCH TBI (MONZA 98-00)

| CV | |
|-----------------------------|-----------------|
| CHEVY 1.4L 1994-2000 | |
| CODIGO | EGNC0104 |
| EQUIV 1: | P14000/128E |
| OEM: | 25178729 |
| EQUIV 2: | |



BOMBA GAS MEDIO MODULO (CORSA/TORNADO/MERIVA/MONZA/ASTRA 1.8L-2.2L)

| CV | |
|-------------------------------------|-----------------|
| CHEVY C-2/C-3 1.6L 2001-2012 | |
| CODIGO | EGNC0100 |
| EQUIV 1: | 6244-E |
| OEM: | 93285976 |
| EQUIV 2: | |



BOMBA GAS COMPLETA C16N2/C16NE (MONZA 1.6L)

| CV | |
|-------------------------------------|-----------------|
| CHEVY C-2/C-3 1.6L 2001-2012 | |
| CODIGO | EGNC0110 |
| EQUIV 1: | 6242-E |
| OEM: | 93277517 |
| EQUIV 2: | |



BOMBA GAS REPUESTO C/C C/ARNES MPFI C16N2/C16NE (CORSA/MERIVA/TORNADO/ASTRA)

| CV | |
|-------------------------------------|-----------------|
| CHEVY C-2/C-3 1.6L 2001-2012 | |
| CODIGO | EGNC0114 |
| EQUIV 1: | BGV00244 |
| OEM: | 19237645 |
| EQUIV 2: | |



BOMBA GAS COMPLETA C18NZ (TORNADO 04-11)

| CV | |
|-----------------------------|-----------------|
| CORSA 1.8L 2003-2008 | |
| CODIGO | EGNC0200 |
| EQUIV 1: | 6233-E |
| OEM: | 93373262 |
| EQUIV 2: | |



BOMBA GAS REPUESTO C/CEDAZO C/ARNES S-TEC

| CV | |
|-----------------------------------|-----------------|
| MATIZ G1/G2 1.0L 2003-2015 | |
| CODIGO | EGNG0112 |
| EQUIV 1: | 255-E |
| OEM: | 19334350 |
| EQUIV 2: | |





| | |
|--------------------------------|--------------------|
| CV | |
| MATIZ G2 1.0L 2006-2015 | |
| CODIGO | EGNG0100 |
| EQUIV 1: | 6275-E |
| OEM: | 96591528/965915280 |
| EQUIV 2: | |

BOMBA GAS COMPLETA C/FLOTADOR S-TEC TUBO RECTO



| | |
|--------------------------------|-----------------|
| CV | |
| MATIZ G2 1.0L 2006-2015 | |
| CODIGO | EGNG0110 |
| EQUIV 1: | 6231-E |
| OEM: | 96464637 |
| EQUIV 2: | |

BOMBA GAS COMPLETA C/FLOTADOR S-TEC TUBO CURVO



| | |
|---------------------------------|-----------------|
| CV | |
| ONIX 1.0L/1.2L 2020-2024 | |
| CODIGO | EGNC0500 |
| EQUIV 1: | |
| OEM: | 26296829 |
| EQUIV 2: | |

BOMBA GAS COMPLETA L4F/L4H



| | |
|-----------------------------|-----------------|
| CV | |
| SPARK 1.2L 2011-2017 | |
| CODIGO | EGNC0800 |
| EQUIV 1: | 605-E |
| OEM: | 13578997 |
| EQUIV 2: | |

BOMBA GAS REPUESTO C/CEDAZO C/ARNES MPFI SMART-TECH II (BEAT 1.2L 18-21)



| | |
|-----------------------------|-------------------|
| CV | |
| SPARK 1.2L 2011-2017 | |
| CODIGO | EGNC0810 |
| EQUIV 1: | 13592601/6111-E |
| OEM: | 13575894/13582544 |
| EQUIV 2: | |

BOMBA GAS COMPLETA C/FLOTADOR SMARTTECH II (BEAT 1.2L 18-21)



| | |
|--------------------------------|-----------------|
| CV | |
| SPARK NG 1.4L 2016-2021 | |
| CODIGO | EGNC0820 |
| EQUIV 1: | |
| OEM: | 13515297 |
| EQUIV 2: | |

BOMBA GAS COMPLETA C/FLOTADOR LV7 (NUEVA LINEA)



| | |
|---------------------------------|-----------------|
| DG | |
| ATOS 1.0L/1.1L 2000-2012 | |
| CODIGO | EGNK0113 |
| EQUIV 1: | P90601/224E |
| OEM: | 31111-1G500 |
| EQUIV 2: | |

BOMBA GAS REPUESTO C/CEDAZO C/ARNES G4HC/G4HG



| | |
|----------------------------|-----------------|
| DG | |
| ATOS 1.1L 2005-2012 | |
| CODIGO | EGNK0110 |
| EQUIV 1: | 7102-E |
| OEM: | 31110-05000 |
| EQUIV 2: | |

BOMBA GAS COMPLETA C/FLOTADOR G4HG





| | |
|--------------------------------|-----------------|
| DG | |
| ATTITUDE 1.2L 2015-2024 | |
| CODIGO | EGNK1110 |
| EQUIV 1: | 7685-E |
| OEM: | 1760A576 |
| EQUIV 2: | |

BOMBA GAS COMPLETA C/FLOTADOR 3A92 MIVEC (MT MIRAGE G4 19-24)



| | |
|-------------------------------------|-----------------|
| DG | |
| ATTITUDE 1.4L/1.6L 2006-2011 | |
| CODIGO | EGNK1100 |
| EQUIV 1: | 7100-E |
| OEM: | 31110-1G000 |
| EQUIV 2: | |

BOMBA GAS COMPLETA C/FLOTADOR G4EE/G4ED/ALPHA II



| | |
|------------------------------------|-----------------|
| FD | |
| FIESTA FIRST 1.6L 2003-2010 | |
| CODIGO | EGNF0200 |
| EQUIV 1: | 8252-E |
| OEM: | 1S6U-9H307AD |
| EQUIV 2: | |

BOMBA GAS COMPLETA C/FLOTADOR ZETEC-ROCAM



| | |
|-----------------------------------|-----------------|
| FD | |
| FIESTA IKON 1.6L 2001-2007 | |
| CODIGO | EGNF0300 |
| EQUIV 1: | 268E |
| OEM: | F8DU-9H307AD |
| EQUIV 2: | |

BOMBA GAS REP C/C S/A (COURIER 01-04/WINDSTAR 99-03/ESCAPE 01-07/FOCUS 00-06)



| | |
|---------------------------|-----------------|
| KA | |
| RIO 1.6L 2018-2023 | |
| CODIGO | EGNA0100 |
| EQUIV 1: | |
| OEM: | 31120-H9000 |
| EQUIV 2: | |

BOMBA GAS COMPLETA GDI (ACCENT 1.6L 18-22) (SEDAN/H-BACK)



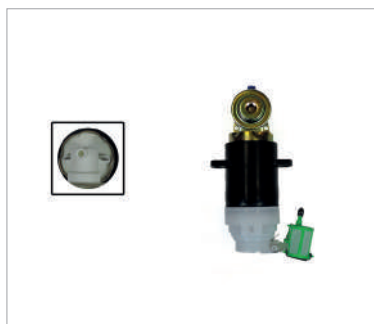
| | |
|-----------------------------------|-----------------|
| NS | |
| ALTIMA 2.5L/3.5L 2002-2003 | |
| CODIGO | EGNN3200 |
| EQUIV 1: | 5202-E |
| OEM: | 17040-8J005 |
| EQUIV 2: | |

BOMBA GAS COMPLETA C/FLOTADOR QR25DE/VQ35DE



| | |
|-----------------------------------|-----------------|
| NS | |
| ALTIMA 2.5L/3.5L 2013-2018 | |
| CODIGO | EGNN3210 |
| EQUIV 1: | 5286-E |
| OEM: | 17040-3TA0D |
| EQUIV 2: | |

BOMBA GAS COMPLETA C/FLOTADOR QR25DE/VQ35DE



| | |
|----------------------------------|-----------------|
| NS | |
| D-21 2/4WD 2.4L 1994-2007 | |
| CODIGO | EGNN0200 |
| EQUIV 1: | P72068/281E |
| OEM: | 17042-01G00 |
| EQUIV 2: | |

BOMBA GAS MODULO C/REGULADOR (Z-24S 2.4L 83-89/PICK-UP USA 3.0L 86-94)



BOMBA DE GASOLINA



| | |
|---|-------------------|
| NS | |
| NP-300 (D-22) 2WD 2.4L 2008-2015 | |
| CODIGO | EGNN0700 |
| EQUIV 1: | 5219-E |
| OEM: | 17040-8B000/VN10A |
| EQUIV 2: | |

BOMBA GAS COMPLETA C/FLOTADOR KA24DE (GASOLINA)



| | |
|---|-----------------|
| NS | |
| NP-300 (D-22) 2WD 2.4L 2008-2015 | |
| CODIGO | EGNN0701 |
| EQUIV 1: | 283-E |
| OEM: | 17042-0W000 |
| EQUIV 2: | |

BOMBA GAS REPUESTO C/CEDAZO C/ARNES KA24DE (GASOLINA)



| | |
|---|-----------------|
| NS | |
| NP-300 FRONTIER (D-23) 2016-2024 | |
| CODIGO | EGNN0710 |
| EQUIV 1: | 5291-E |
| OEM: | 17040-4KH0A |
| EQUIV 2: | |

BOMBA GAS COMPLETA C/FILTRO C/FLOTADOR (2.5L GASOLINA) (SENCILLA/DOBLE CABINA)



| | |
|----------------------------------|-----------------|
| NS | |
| NV-350 2.5L GAS 2013-2022 | |
| CODIGO | EGNN0420 |
| EQUIV 1: | 5223-E |
| OEM: | 17040-3XA0A |
| EQUIV 2: | |

BOMBA GAS COMPLETA C/FILTRO C/FLOTADOR QR25



| | |
|----------------------------------|-----------------|
| NS | |
| NV-350 2.5L GAS 2013-2022 | |
| CODIGO | EGNN0476 |
| EQUIV 1: | |
| OEM: | 17040-VZ10A |
| EQUIV 2: | |

BOMBA GAS REP C/CEDAZO S/ARNES QR25DE (URVAN 2.5L GAS 07-12)



| | |
|-------------------------------|-----------------|
| NS | |
| PLATINA 1.6L 2002-2010 | |
| CODIGO | EGNN0300 |
| EQUIV 1: | 5201E |
| OEM: | 17042-00QAA |
| EQUIV 2: | |

BOMBA GAS COMPLETA 16VAL K4M (CLIO 02-10)



| | |
|-------------------------------|-----------------|
| NS | |
| PLATINA 1.6L 2002-2010 | |
| CODIGO | EGNN0368 |
| EQUIV 1: | 284E |
| OEM: | 17040-00QAA |
| EQUIV 2: | |

BOMBA GAS REP C/C S/A 16VAL K4M (CLIO 02-10/PG-206/PG-307/PARTNER/KANGOO)



| | |
|---|-----------------|
| NS | |
| SENTRA B-15 1.8L/2.0L/2.5L 2001-2006 | |
| CODIGO | EGNN1300 |
| EQUIV 1: | 5283-E/U-55283 |
| OEM: | 17040-8U002 |
| EQUIV 2: | |

BOMBA GAS COMPLETA C/FLOTADOR 2SALIDA QG18DE (ALMERA 1.8L 01-06/SCALA 1.6L 10-13)





| | |
|--|-------------------|
| NS | |
| SENTRA B-16 2.0L/2.5L 2007-2012 | |
| CODIGO | EGNN1400 |
| EQUIV 1: | 5204-E |
| OEM: | 17040-9AA0B/ET00A |
| EQUIV 2: | |

BOMBA GAS COMPLETA C/FLOTADOR MR20DE/QRD25DE



| | |
|----------------------------------|-----------------|
| NS | |
| TIIDA 1.6L/1.8L 2006-2017 | |
| CODIGO | EGNN1100 |
| EQUIV 1: | |
| OEM: | 17420-21101 |
| EQUIV 2: | |

BOMBA GAS REPUESTO C/CEDAZO S/ARNES MR18DE



| | |
|----------------------------------|-----------------|
| NS | |
| TIIDA 1.6L/1.8L 2006-2017 | |
| CODIGO | EGNN1110 |
| EQUIV 1: | S203-E |
| OEM: | 17042-CH000 |
| EQUIV 2: | |

BOMBA GAS COMPLETA MR18DE (APRIO 1.6L 08-10)



| | |
|------------------------------|-----------------|
| NS | |
| TS-III 1.6L 1992-1994 | |
| CODIGO | EGNN0101 |
| EQUIV 1: | P72193A/280E |
| OEM: | 17042-73Y00 |
| EQUIV 2: | |

BOMBA GAS REP GORDA C/CEDAZO S/ARNES 8VAL GA16DE (TSUBAME 92-04)



| | |
|------------------------------|-----------------|
| NS | |
| TS-III 1.6L 1995-2017 | |
| CODIGO | EGNN0102 |
| EQUIV 1: | P90441/282E |
| OEM: | 17042-0M300 |
| EQUIV 2: | |

BOMBA GAS REP DELGADA C/C C/A 16VAL GA16DNE (B-14/TSUBAME/MAXIMA-PATHF 96-99)



| | |
|-----------------------------|-----------------|
| NS | |
| URVAN 2.4L 2002-2006 | |
| CODIGO | EGNN0400 |
| EQUIV 1: | 5210-E |
| OEM: | 25060-VW000 |
| EQUIV 2: | |

BOMBA GAS COMPLETA C/FLOTADOR KA24DE



| | |
|-----------------------------|-----------------|
| NS | |
| URVAN 2.4L 2002-2006 | |
| CODIGO | EGNN0470 |
| EQUIV 1: | 286E |
| OEM: | 17042-VW000 |
| EQUIV 2: | |

BOMBA GAS REP C/CEDAZO C/ARNES KA24DE (D-21 94-07/B-14 96-00)



| | |
|---------------------------------|-----------------|
| NS | |
| URVAN 2.5L GAS 2007-2012 | |
| CODIGO | EGNN0410 |
| EQUIV 1: | 5212-E |
| OEM: | 17040-VZ00A |
| EQUIV 2: | |

BOMBA GAS COMPLETA C/FILTRO C/FLOTADOR QR25DE

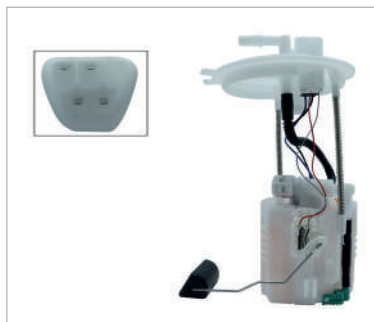


BOMBA DE GASOLINA



| | |
|-----------------------------|-----------------|
| NS | |
| VERSA 1.6L 2012-2014 | |
| CODIGO | EGNN0900 |
| EQUIV 1: | 5218-E/U-55218 |
| OEM: | 17040-1HK0B |
| EQUIV 2: | |

BOMBA GAS COMPLETA HR16DE (MARCH 11-13)



| | |
|-----------------------------|-------------------|
| NS | |
| VERSA 1.6L 2015-2024 | |
| CODIGO | EGNN0910 |
| EQUIV 1: | 5292-E |
| OEM: | 17040-5RB0A/5EF0A |
| EQUIV 2: | |

BOMBA GAS COMPLETA HR16DE (V-DRIVE/MARCH 14-24/
KICKS 17-24)



| | |
|-----------------------------|--------------------------|
| NS | |
| VERSA 1.6L 2015-2024 | |
| CODIGO | EGNN0920 |
| EQUIV 1: | |
| OEM: | 17042-8HK0A/05804-53473R |
| EQUIV 2: | DUSTER-LOGAN-SANDERO |

BOMBA GAS REPUESTO C/CEDAZO S/ARNES HR16DE
(V-DRIVE/MARCH/KICKS/ALTIMA/PATHF)



| | |
|------------------------------|-----------------|
| RT | |
| DUSTER 2.0L 2013-2016 | |
| CODIGO | EGNR0400 |
| EQUIV 1: | 2223-E |
| OEM: | 17202-5090R |
| EQUIV 2: | |

BOMBA GAS COMPLETA C/FILTRO C/FLOTADOR DOHC
(SANDERO-STEPWAY 10-15/LOGAN 15-19)



| | |
|-----------------------------|-----------------|
| TY | |
| HIACE 2.7L 2005-2019 | |
| CODIGO | EGNT0400 |
| EQUIV 1: | |
| OEM: | 77020-26031 |
| EQUIV 2: | |

BOMBA GAS COMPLETA C/FLOTADOR 2TRFE



| | |
|-----------------------------|-------------------------|
| TY | |
| HIACE 2.7L 2005-2019 | |
| CODIGO | EGNT0479 |
| EQUIV 1: | |
| OEM: | 23220-75040 |
| EQUIV 2: | COROLLA 1.8L-2.4L 09-13 |

BOMBA GAS REP C/CEDAZO S/ARNES C/VALVULA 2TRFE HI-
LUX 2.7L 16-17/YARIS 1.6L 12-17



| | |
|----------------------------------|-----------------|
| TY | |
| HIACE 2.8L/3.5L 2020-2024 | |
| CODIGO | EGNT0410 |
| EQUIV 1: | |
| OEM: | 77020-26080 |
| EQUIV 2: | |

BOMBA GAS COMPLETA 1GD-FTV/7GR-FKS (DIESEL/GASO-
LINA)



| | |
|-----------------------------|-------------------|
| TY | |
| YARIS 1.5L 2006-2015 | |
| CODIGO | EGNT0369 |
| EQUIV 1: | |
| OEM: | 23220-21132/75040 |
| EQUIV 2: | |

BOMBA GAS REPUESTO C/CEDAZO S/ARNES 1NZFE





UN

CV/TY/HD 1992-2004

| | |
|----------|-------------------|
| CODIGO | EGNU0120 |
| EQUIV 1: | FFP1302 |
| OEM: | 23220-43070/74020 |

| | |
|----------|--|
| EQUIV 2: | |
|----------|--|

BOMBA GAS REPUESTO C/C C/A (UNIVERSAL FD/CHRYSLER/MT)



VK

BORA 2.5L 2006-2010

| | |
|----------|-----------------|
| CODIGO | EGNV0400 |
| EQUIV 1: | 9004-E |
| OEM: | 1K0-919-051CL |

| | |
|----------|--|
| EQUIV 2: | |
|----------|--|

BOMBA GAS COMPLETA C/FLOTADOR BGQ (JETTA A6 2.0L-2.5L/GOLF A5-BEETLE 2.5L/AD A3)



VK

GOL 1.6L 2008-2021

| | |
|----------|-----------------|
| CODIGO | EGNV0600 |
| EQUIV 1: | 9009-E |
| OEM: | 5U0-919-051 |

| | |
|----------|--|
| EQUIV 2: | |
|----------|--|

BOMBA GAS COMPLETA C/FLOTADOR EA111 (SAVEIRO 10-22/CROSSFOX 10-17)



VK

JETTA A4 1.8L/2.0L 1999-2007

| | |
|----------|-----------------|
| CODIGO | EGNV0130 |
| EQUIV 1: | 953-E |
| OEM: | 1J0-919-050R |

| | |
|----------|--|
| EQUIV 2: | |
|----------|--|

BOMBA GAS REPUESTO C/C C/A 8VAL BBX (BEETLE/GOLF A4/DERBY/IBIZA-CORDOBA 1.6L)



VK

JETTA A4/CLASICO 1.8L/2.0L 1999-2015

| | |
|----------|-----------------|
| CODIGO | EGNV0110 |
| EQUIV 1: | 9003-E |
| OEM: | 1J0-919-087J |

| | |
|----------|--|
| EQUIV 2: | |
|----------|--|

BOMBA GAS COMPLETA S/FLOTADOR 8VAL BBX (BEETLE/GOLF A4/IBIZA-CORDOBA 1.6L)



VK

JETTA/GOLF A3 1.8L 1993-1998

| | |
|----------|-----------------|
| CODIGO | EGNV0120 |
| EQUIV 1: | 9190-E |
| OEM: | 1H0-919-051AK |

| | |
|----------|--|
| EQUIV 2: | |
|----------|--|

BOMBA GAS COMPLETA C/FLOTADOR 8VAL VIN EN (EUROVAN 2.5L/COMBI 1.8L/DERBY 1.8L)



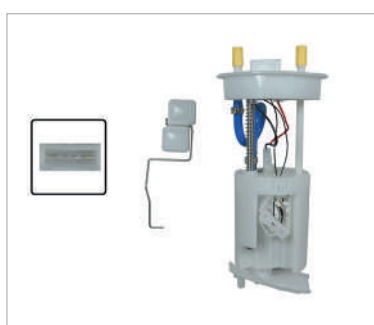
VK

JETTA/GOLF A3 1.8L 1993-1998

| | |
|----------|-----------------|
| CODIGO | EGNV0124 |
| EQUIV 1: | 960-E |
| OEM: | 1H0-906-091 |

| | |
|----------|--|
| EQUIV 2: | |
|----------|--|

BOMBA GAS REPUESTO C/C S/A 8VAL VIN EN (EUROVAN 2.5L/COMBI 1.8L/DERBY 1.8L 95-00)



VK

POINTER 1.8L/2.0L 1998-2009

| | |
|----------|-----------------|
| CODIGO | EGNV0210 |
| EQUIV 1: | 9592-E |
| OEM: | 5X0-919-051J |

| | |
|----------|--|
| EQUIV 2: | |
|----------|--|

BOMBA GAS COMPLETA C/FLOTADOR 8VAL AEG/AVH/AZG (VAGONETA/PICK-UP 00-09)



BOMBA DE GASOLINA



VK

VENTO 1.6L GAS 2014-2022

| | |
|----------|-----------------|
| CODIGO | EGNV0700 |
| EQUIV 1: | 9594-E |
| OEM: | 6RF-919-051B/D |

| | |
|----------|--|
| EQUIV 2: | |
|----------|--|

BOMBA GAS COMPLETA C/FLOTADOR CLSA/CLPA (POLO 1.6L 13-19)



VK

VIRTUS 1.6L 2020-2024

| | |
|----------|-----------------|
| CODIGO | EGNV0900 |
| EQUIV 1: | |
| OEM: | 2Q0-919-051G |

| | |
|----------|--|
| EQUIV 2: | |
|----------|--|

BOMBA GAS COMPLETA

